



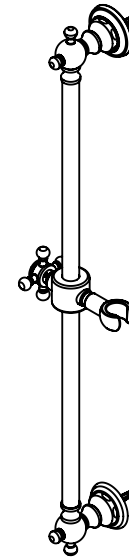
Features

- Available in 28 finishes including 13 PVD finishes
- All brass construction
- Matching handle & escutcheon for many California Faucets series
- Bar pivots 180° without loosening slide handle
- Adjustable position slide with positive-lock swivel holder
- Accepts most conical handshower hoses
- Right or left handed based on installation
- Includes all mounting hardware

Codes/Standards Applicable

Product meets or exceeds the following:

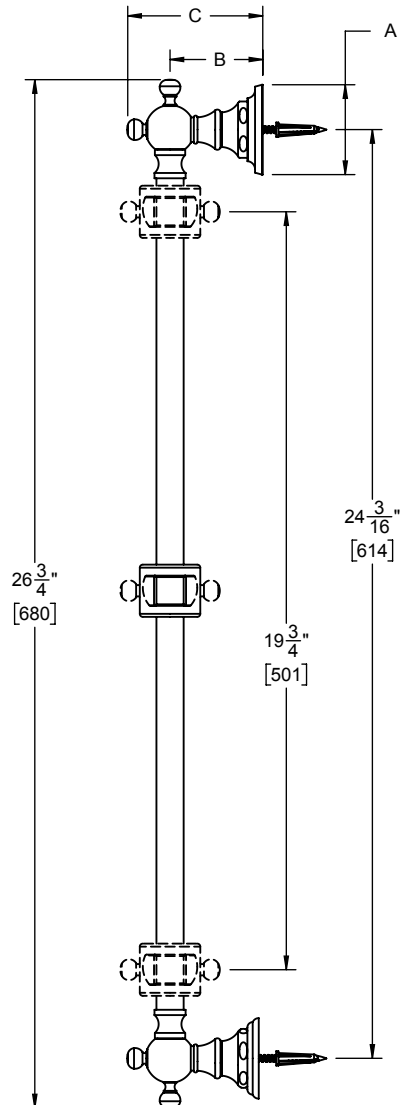
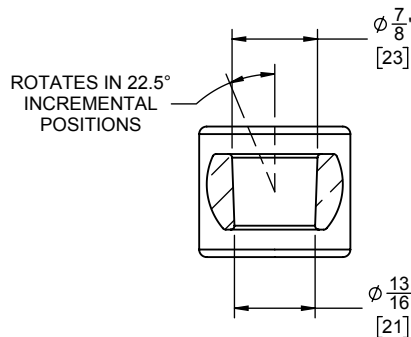
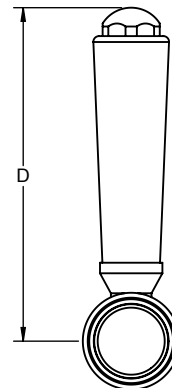
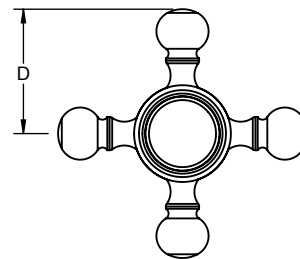
- ASME A112.18.1/CSA B125.1
- ADA (all lever handles)



SB-XX

XX = SERIES HANDLE

TABLE				
SERIES	A	B	C	D
33	2 ¹ / ₈ [54]	2 ⁹ / ₁₆ [65]	3 ¹¹ / ₁₆ [94]	3 ¹ / ₂ [89]
34	2 ¹ / ₈ [54]	2 ⁹ / ₁₆ [65]	3 ¹¹ / ₁₆ [94]	1 ¹ / ₈ [29]
35	2 ¹ / ₈ [54]	2 ⁹ / ₁₆ [65]	3 ¹¹ / ₁₆ [94]	3 ⁷ / ₁₆ [87]
36	2 ¹ / ₈ [54]	2 ⁹ / ₁₆ [65]	3 ¹¹ / ₁₆ [94]	3 ¹ / ₁₆ [78]
38	2 ⁷ / ₈ [73]	2 ¹¹ / ₁₆ [68]	3 ³ / ₄ [95]	2 ⁷ / ₈ [78]
40	2 ¹³ / ₁₆ [71]	2 ⁵ / ₈ [67]	3 ³ / ₄ [95]	3 ¹ / ₄ [83]
42	2 ¹³ / ₁₆ [71]	2 ⁵ / ₈ [67]	3 ³ / ₄ [95]	2 ¹⁵ / ₁₆ [75]
44	2 [51]	2 ⁷ / ₈ [73]	4 ¹ / ₁₆ [103]	2 ¹⁵ / ₁₆ [75]
45	2 ⁵ / ₁₆ [59]	2 ⁵ / ₁₆ [59]	3 ³ / ₈ [86]	3 [76]
46	2 ⁵ / ₁₆ [59]	2 ³ / ₈ [60]	3 ¹ / ₂ [89]	3 ⁷ / ₁₆ [87]
47	2 ⁵ / ₁₆ [59]	2 ³ / ₈ [60]	3 ¹ / ₂ [89]	1 ³ / ₈ [35]
48	2 ⁵ / ₁₆ [59]	2 ⁵ / ₁₆ [59]	3 ¹³ / ₁₆ [97]	3 ¹ / ₈ [79]
48X	2 ⁵ / ₁₆ [59]	2 ⁵ / ₁₆ [59]	3 ¹³ / ₁₆ [97]	1 ¹ / ₂ [38]
50	2 ⁹ / ₁₆ [65]	2 ⁵ / ₁₆ [59]	3 ³ / ₈ [86]	2 ¹³ / ₁₆ [71]
51	3 ¹ / ₄ [83]	2 ¹¹ / ₁₆ [68]	3 ¹³ / ₁₆ [97]	1 ¹ / ₁₆ [27]
55	2 ¹³ / ₁₆ [71]	2 ⁵ / ₈ [67]	3 ³ / ₄ [95]	3 ⁵ / ₁₆ [84]
59	2 ¹³ / ₁₆ [71]	2 ¹³ / ₁₆ [71]	3 ⁷ / ₈ [98]	3 [76]
60	2 ¹ / ₈ [54]	2 ⁵ / ₁₆ [59]	3 ⁷ / ₁₆ [87]	1 ⁵ / ₁₆ [33]
63	2 ⁵ / ₁₆ [59]	2 ³ / ₈ [60]	3 ¹ / ₂ [89]	1 ⁹ / ₁₆ [40]
64	2 ¹³ / ₁₆ [71]	2 ¹³ / ₁₆ [71]	3 ⁷ / ₈ [98]	3 ⁵ / ₁₆ [84]
67	2 ¹ / ₈ [54]	2 ⁵ / ₁₆ [59]	3 ⁷ / ₁₆ [87]	1 ³ / ₈ [35]
68	2 ¹ / ₈ [54]	2 ⁹ / ₁₆ [65]	3 ¹¹ / ₁₆ [94]	3 ³ / ₈ [86]
69	2 ¹ / ₈ [54]	2 ⁹ / ₁₆ [65]	3 ¹¹ / ₁₆ [94]	3 ¹ / ₂ [89]



DIMENSIONS SHOWN TO NEAREST 1/16"
[DIMENSIONS SHOWN TO NEAREST 1mm]