

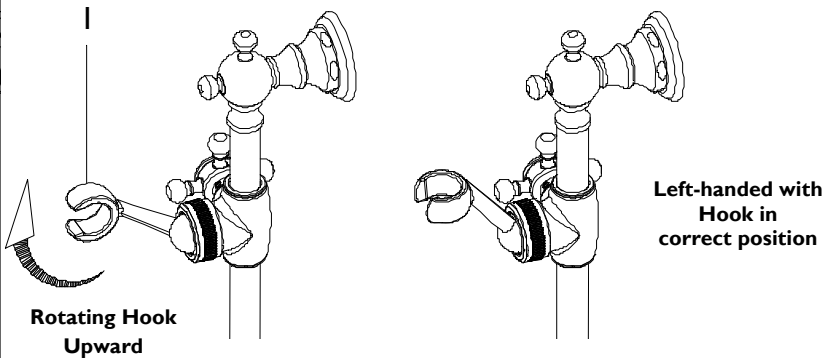
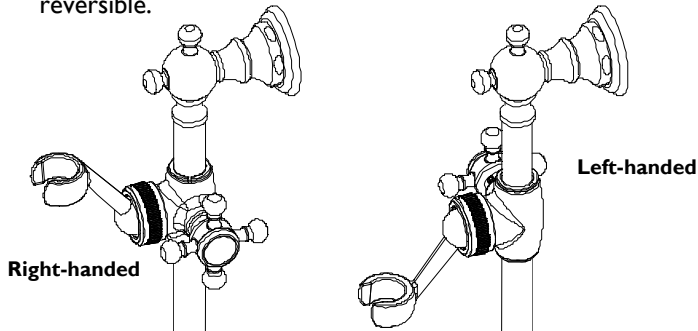
Traditional Handshower Slide Bar Installation Instructions

CALIFORNIA FAUCETS RECOMMENDS THAT ALL PLUMBING PRODUCTS BE INSTALLED BY A LICENSED PROFESSIONAL

IMPORTANT: Read all instructions prior to installation and provide copy of instructions to consumer.

1 RIGHT OR LEFT HANDED INSTALLATION

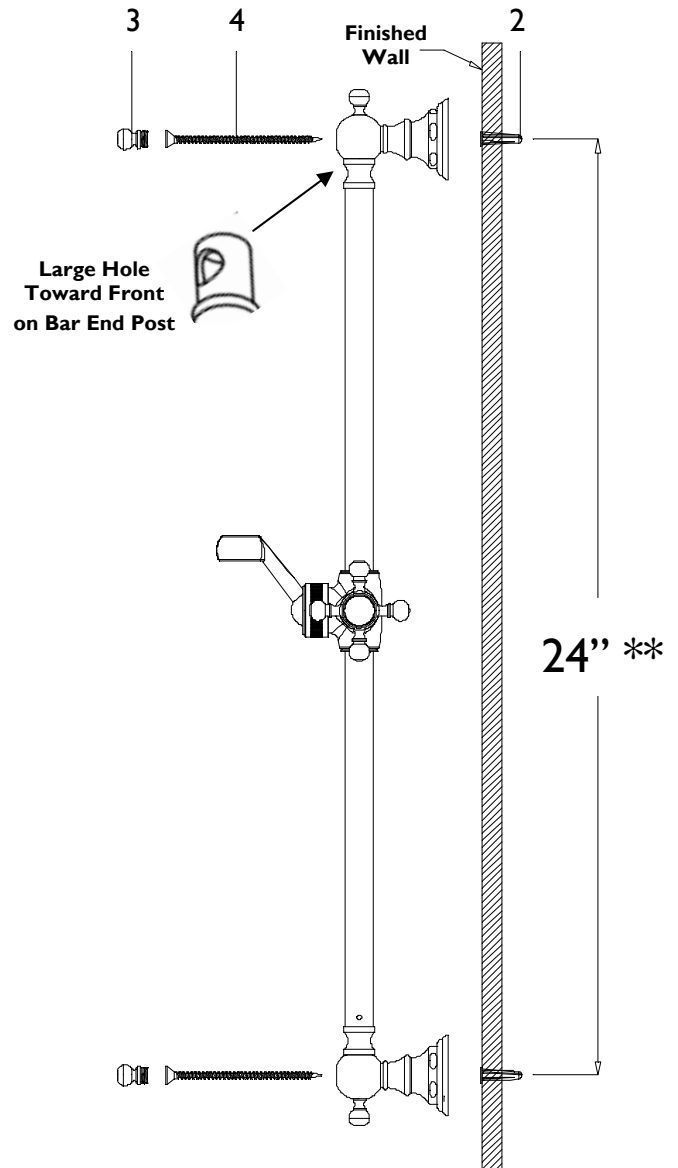
- The slide bar may be mounted in either a right or left handed position. This is determined at the installation stage by positioning the handle to the right or left. The slide bar is reversible.



- After orientation is determined, the handshower HOOK (1) must be rotated in up position as shown above.

2 MOUNTING TO FINISHED WALL

- Pre-drill two 5/16" diameter hole in finished wall as shown **, insert ANCHOR (2) into each drilled hole
- Remove screw KNOB (3) and insert SCREW (4) through large hole in bar end post
- Securely tighten SCREW (4) and tighten screw KNOB (3) in place



**** Always verify dimension due to manufacturing variations**

www.calfaucets.com

5271 Argosy Ave. Huntington Beach, CA 92649
800-822-8855