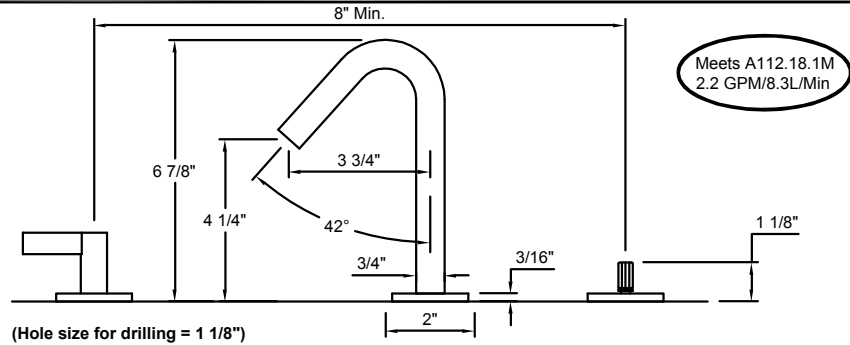


22 Series Specifications

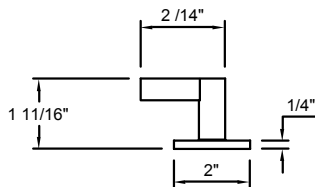


All California Faucets lever and blade handle products are American Disability Act (ADA) compliant.

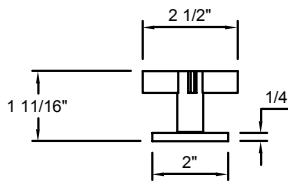
California Faucets reserves the right to make modification and specification changes at any time. Please verify dimensions prior to installation. Visit www.calfaucets.com for most current technical data.



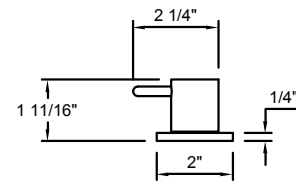
2202
 • Wide Spread



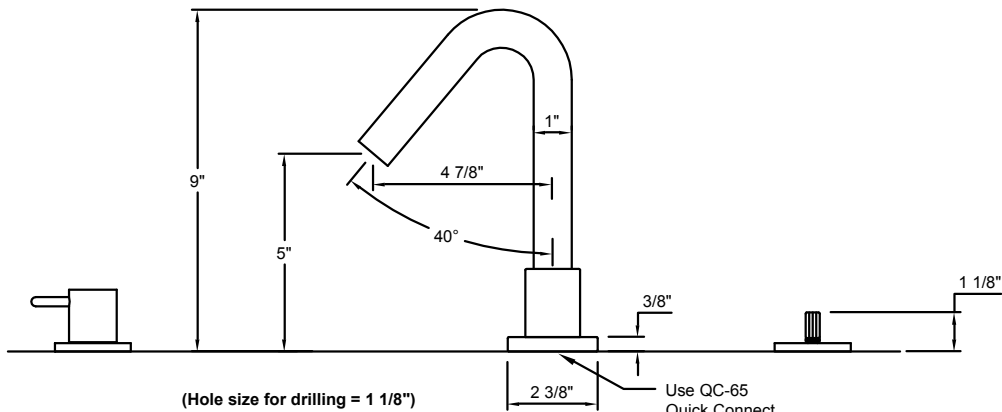
METAL LEVER



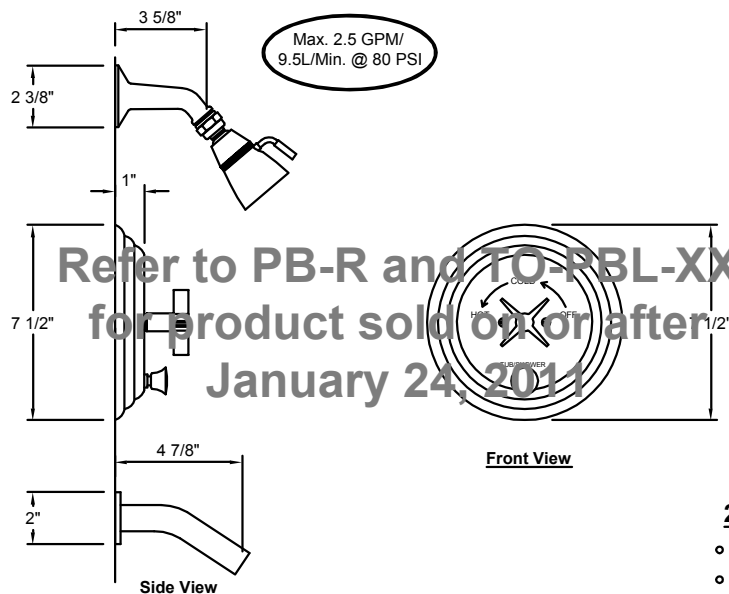
METAL CROSS



METAL CYLINDER



2208
 • Roman Tub Set



22-PBS / 22-PBTS
 • Pressure Balance Shower
 • Pressure Balance Tub/Shower