



Tel: 714-891-7797  
 Fax: 714-891-2478  
 Toll Free: 800-822-8855  
 www.calfaucets.com

# GRAB BARS

**INSTALLATION  
 INSTRUCTIONS**

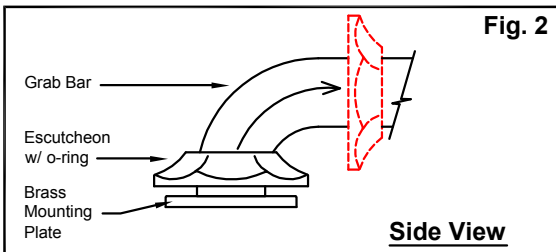
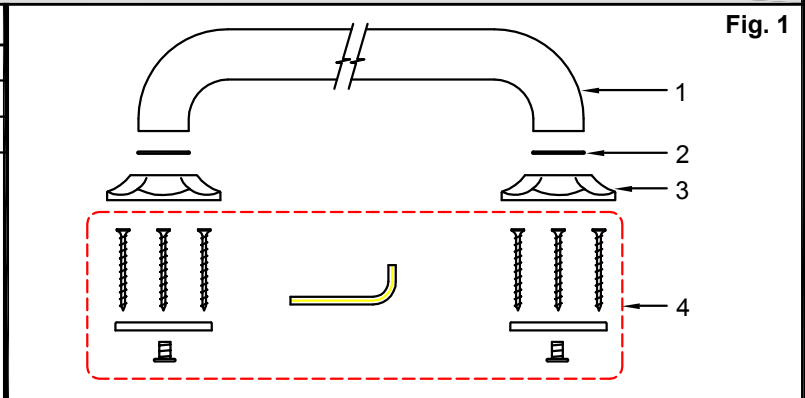
California Faucets®

## IMPORTANT

All California Faucets® products are engineered to provide quality performance provided they are installed and operated properly. To fully enjoy the comfort, safety, and reliability of your new Grab Bar, please follow the instructions below.

California Faucets reserves the right to make modification and specification changes at any time. Please visit [www.calfaucets.com](http://www.calfaucets.com) for most current technical data.

Pos.	Description	Qty.
1	Grab Bar - 12", 18", 24", 30", 36" Lengths	1
2	O-Ring	2
3	Escutcheon (specify series)	2
4	Mounting kit (consists of): (6) wood screws (2) brass mounting plates (2) flat head allen screws (1) allen key	1

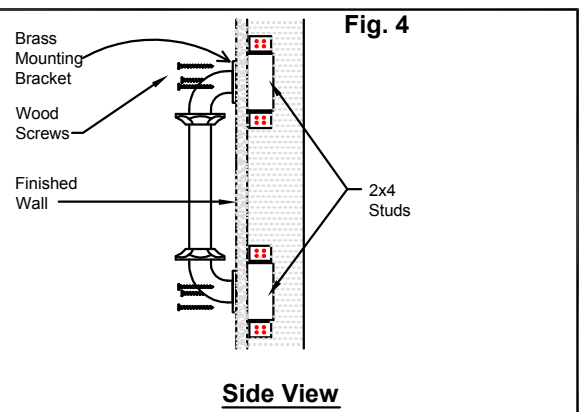
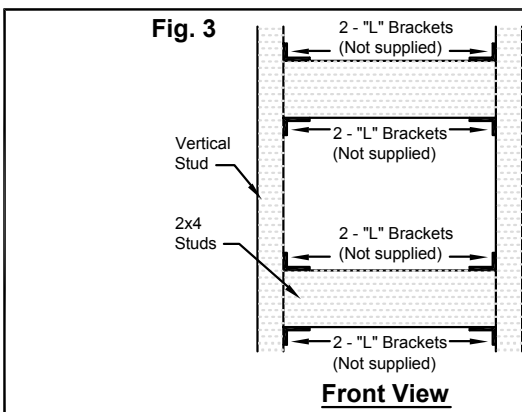


- 1 Remove protective packaging from grab bar ends then slide the escutcheons back onto straight section of grab bar to expose brass mounting plates. See Fig. 2

## IMPORTANT:

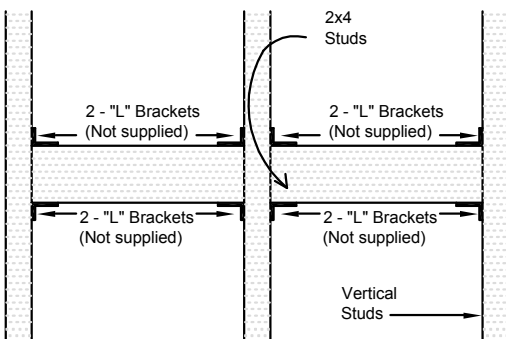
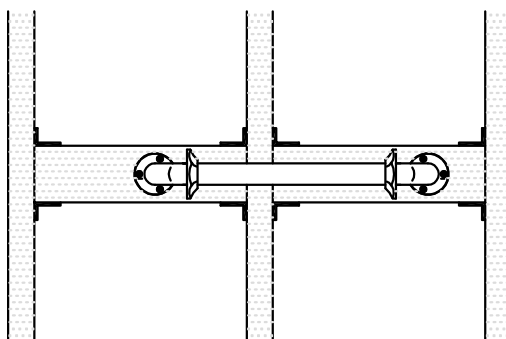
When properly installed, California Faucets grab bars meet or exceed Federal guidelines including ADA Section 4.26 and ASTM F446-85. Please note that the actual "in-use" load bearing capacity of grab-bar installation is ultimately determined by the strength of the mounting surface and hardware. Please carefully follow all instructions and insure that the mounting hardware and screws are the appropriate length and type for your particular installation.

**California Faucets strongly recommends that grab bars be installed with sturdy backing material such as 2x4 studs. Under no circumstances should grab bars be mounted to drywall, sheetrock, plaster, fiberglass, acrylic or other similar "hollow" wall surfaces without the appropriate wood or steel backing material.**



### 2A Vertical Installation.

Install horizontal bracing (2x4 studs) in wall, flush with front edge of vertical studs. Determine center of studs according to length of grab bar. Mount the 2x4 studs sideways between the vertical studs and secure with 4 "L" brackets to be secured with 8 x 1 1/2" Truss Head Wood Screws (not supplied).  
**NOTE:** Install grab bar with mounting plates centered vertically on both studs using six screws supplied. *If wall is thicker than 1/2" sheetrock or similar material, longer screws (not supplied) will be required to provide secure anchoring.*

**Fig. 5****Front View****Fig. 6****2B Horizontal Installation.**

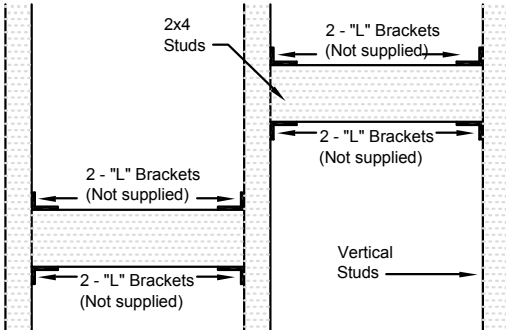
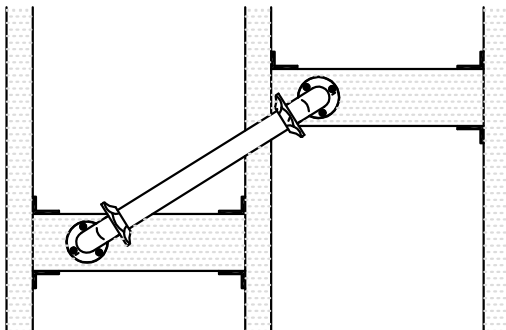
Install horizontal bracing (2x4 studs) in wall, flush with front edge of vertical studs.

Mount 2x4 studs sideways between as many studs as necessary depending on grab bar length and desired position on wall.

Secure with 4 "L" brackets to be secured with 8 x 1 1/2" Truss Head Wood Screws (not supplied).

**NOTE:** Position grab bar so mounting plates are centered horizontally on 2x4 studs See Fig. 5.

Install grab bar with mounting plates centered horizontally on both studs using six screws supplied. *If wall is thicker than 1/2" sheetrock or similar material, longer screws (not supplied) will be required to provide secure anchoring.*

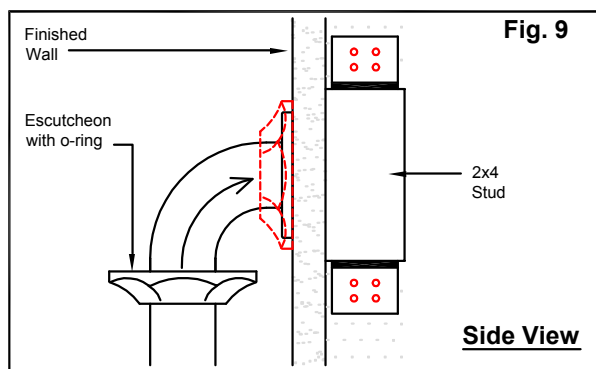
**Fig. 7****Front View****Fig. 8****2C Diagonal Installation.**

Install horizontal bracing (2x4 studs) in wall, flush with front edge of vertical studs.

Mount 2x4 studs sideways and diagonally between as many studs as necessary, depending grab bar length and desired diagonal position on wall. Secure with 4 "L" brackets to be secured with 8 x 1 1/2" Truss Head Wood Screws (not supplied).

**NOTE:** Position grab bar diagonally so mounting plates are centered on horizontal part of 2x4 studs See Fig. 10.

Install grab bar diagonally with mounting plates centered horizontally on both studs using six screws supplied. *If wall is thicker than 1/2" sheetrock or similar material, longer screws (not supplied) will be required to provide secure anchoring.*

**Fig. 9****Side View**

**3** Slide escutcheons over grab bar and position against finished wall. Applies to all installation types.

**IMPORTANT CLEANING NOTICE**

Please refer to *Finish Care Instructions* for complete cleaning information. Wipe frequently with a soft, damp cloth. *Never use acids, harsh abrasives or detergents.*