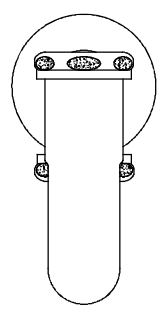
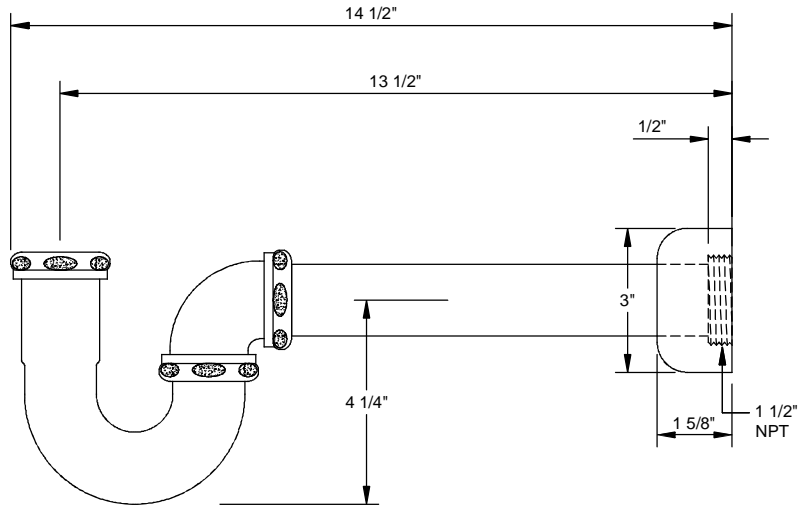


Top View



Front View



Side View


California Faucets®
 info@calfaucets.com
 www.calfaucets.com

FIXTURE: Milwaukee Trap	
MODEL #: 9073	
DWG NO:	REV:

REVISIONS	REV DATE	STARTING DATE: June 14, 2005
		APPRVD DATE:
		APPRVD BY:
		SCALE: None
		DRAWN BY: William Linares william@calfaucets.com