



Features

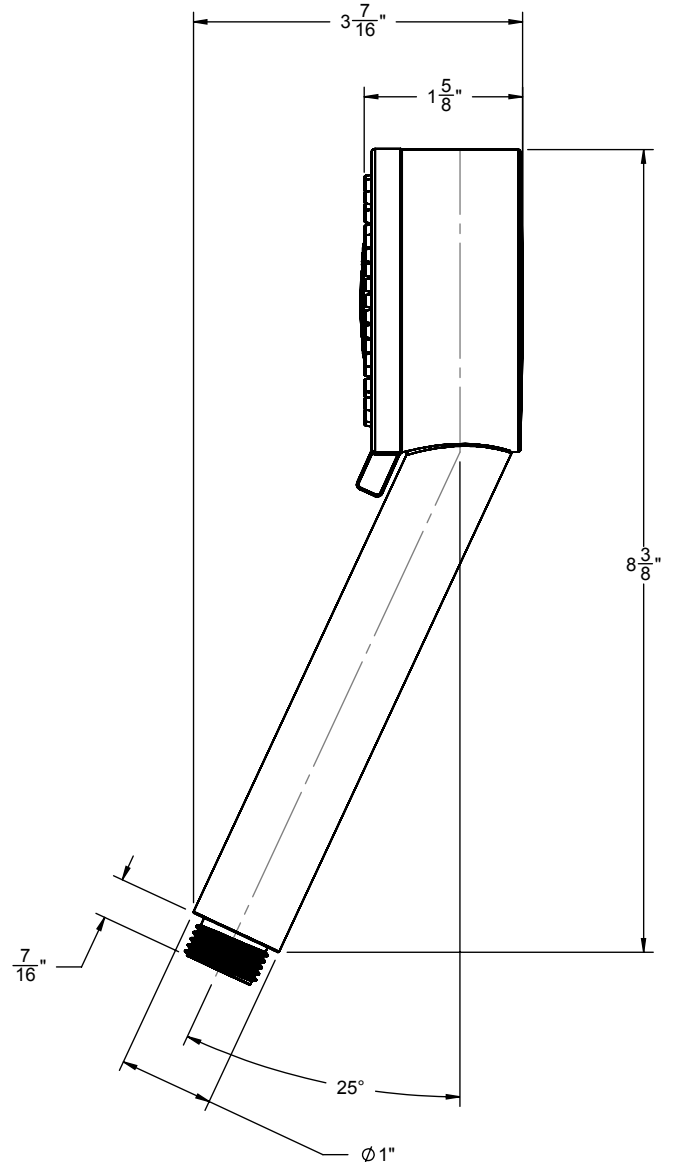
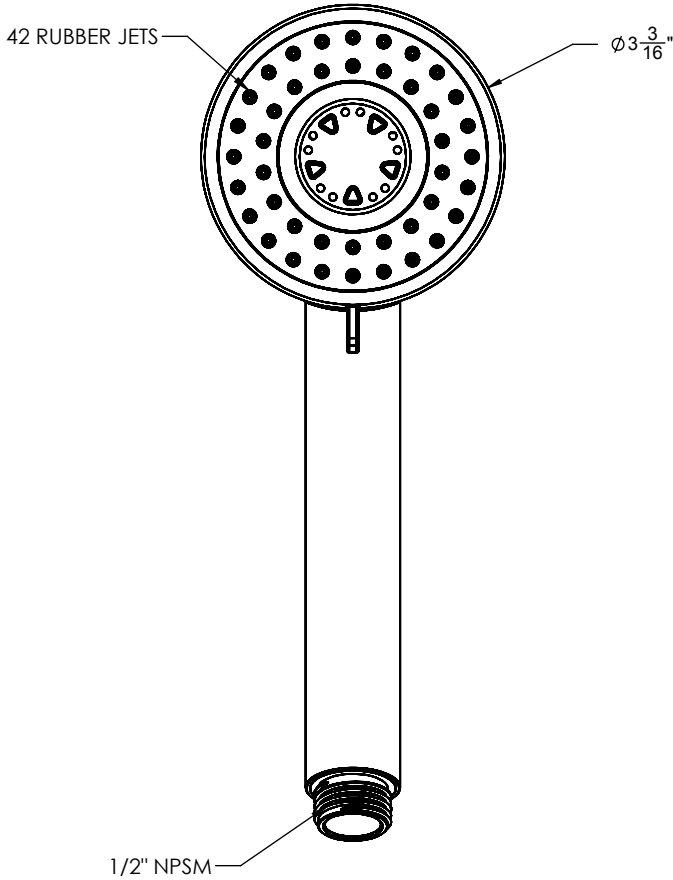
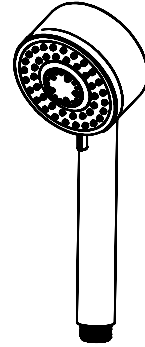
- Available in 4 finishes including 1 PVD finish
- 3 function: jetted, massage and jetted/massage
- Self-clean rubber jets
- Thermally insulated handle
- 3" face diameter
- Positive click position per function
- 2.5 gpm (9.5 Lpm) max flow rate
- Order **WE** for 2.0 gpm (7.6 Lpm) max flow rate

Codes/Standards Applicable

Meets or exceeds the following at date of manufacture:

- ASME A112.18.1/CSA B125.1

HS-22



ALL DIMENSIONS SHOWN TO NEAREST 1/16"