



California Faucets®

Tel: 714-891-7797  
Fax: 714-891-2478  
Toll Free: 800-822-8855  
www.calfaucets.com

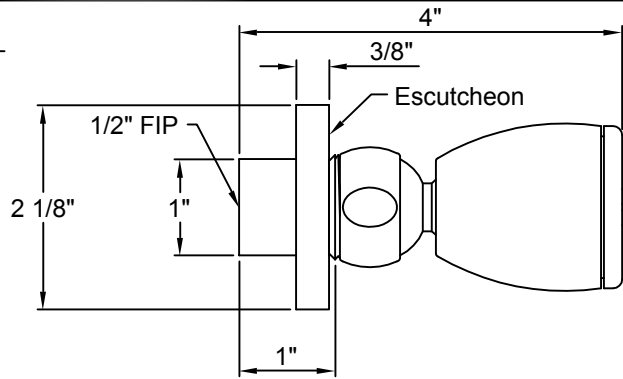
# BODY SPRAYS



All California Faucets lever and blade handle products are American Disability Act (ADA) compliant.

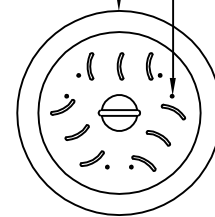
California Faucets reserves the right to make modification and specification changes at any time. Please verify dimensions prior to installation. Visit [www.calfaucets.com](http://www.calfaucets.com) for most current technical data.

## RB-01



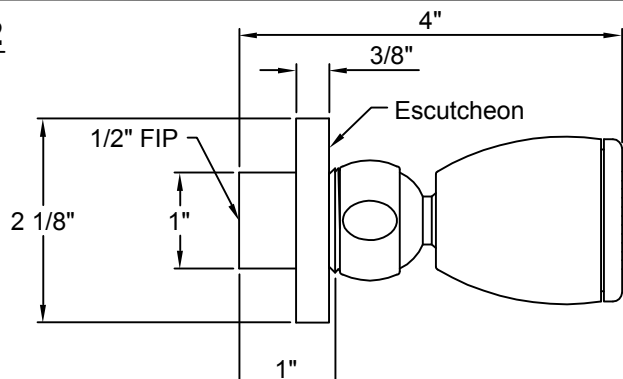
Side View (Fig. 1)

Escutcheon      Sprayers



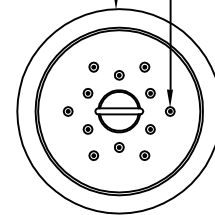
Front View (Fig. 2)

## RB-02



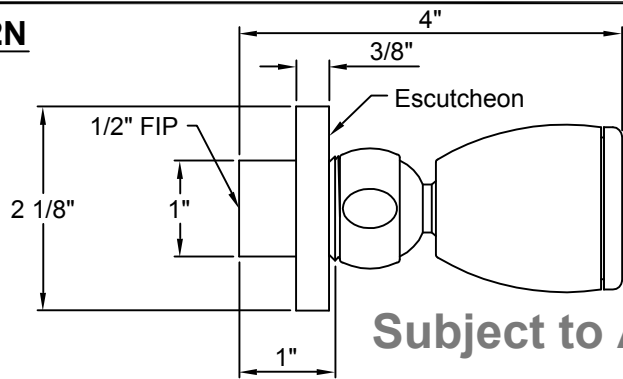
Side View (Fig. 3)

Escutcheon      Sprayers



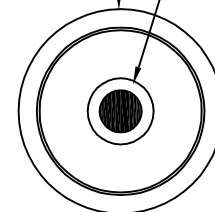
Front View (Fig. 4)

## RB-02N



Side View (Fig. 5)

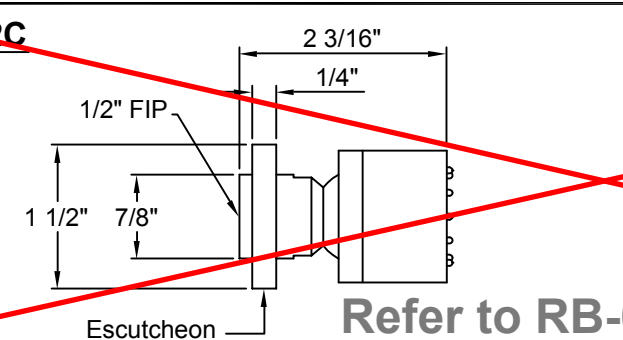
Escutcheon      Nebulizer  
Sprayer



Front View (Fig. 6)

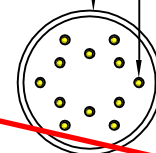
**Subject to Availability (to be discounted)**

## ~~RB-02C~~



Side View (Fig. 7)

Escutcheon      Sprayers



Front View (Fig. 8)

**Refer to RB-02C\_sp\_110112**