



California Faucets®

SHOWERHEAD

TRADITIONAL MULT-FUNCTION

Features

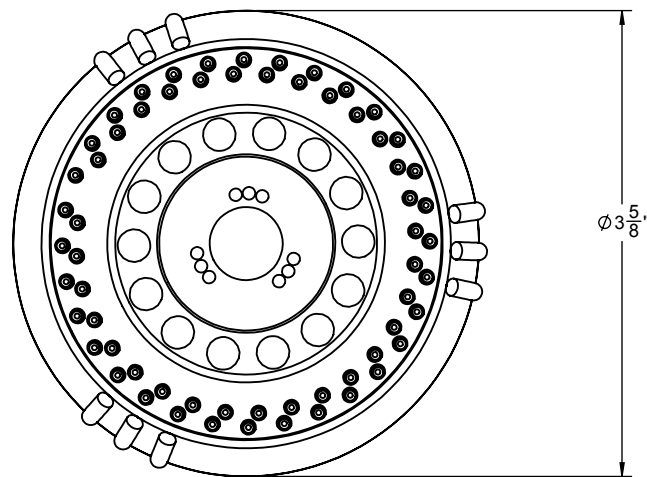
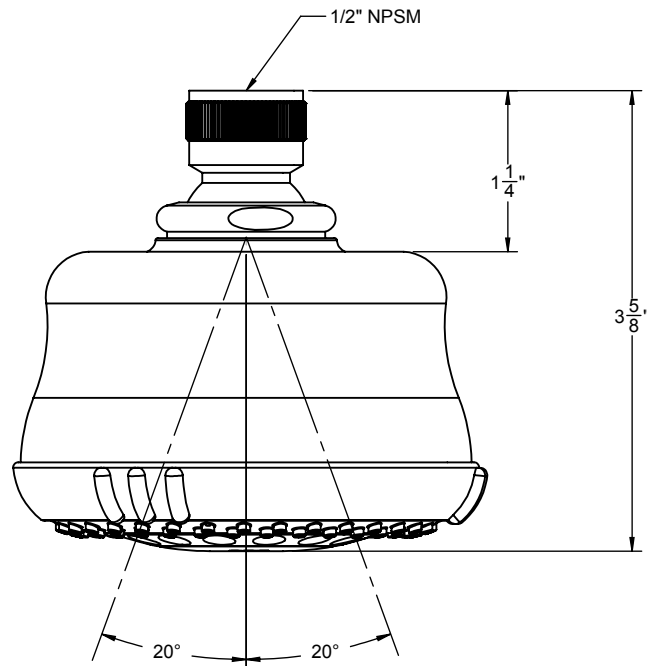
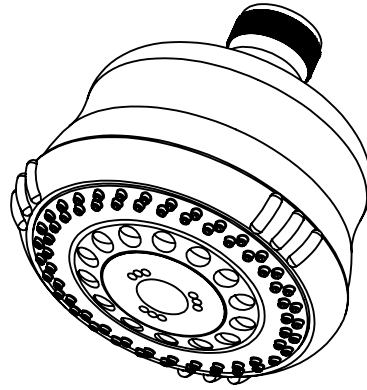
- Over 30 finishes including 14 PVD finishes
- Solid brass shell & pivot ball construction
- 6 functions: *massage, jetted, aerated, message/aerated, massage/jetted, & jetted/aerated*
- Positive click position per function
- Self-clean rubber jets
- 3-9/16" face diameter
- 1/2" FIP swivel inlet
- 2.5 gpm (9.5 Lpm) max flow rate
- Order **WE** for 2.0 gpm (7.6 Lpm) max flow rate

Codes/Standards Applicable

Meets or exceeds the following at date of manufacture:

- ASME A112.18.1/CSA B125.1

SH-07
WE-SH-07



ALL DIMENSIONS SHOWN TO NEAREST 1/16"