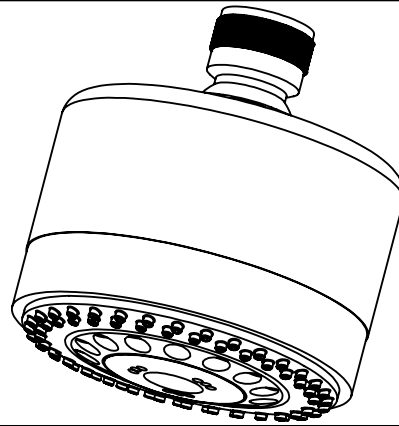




Features

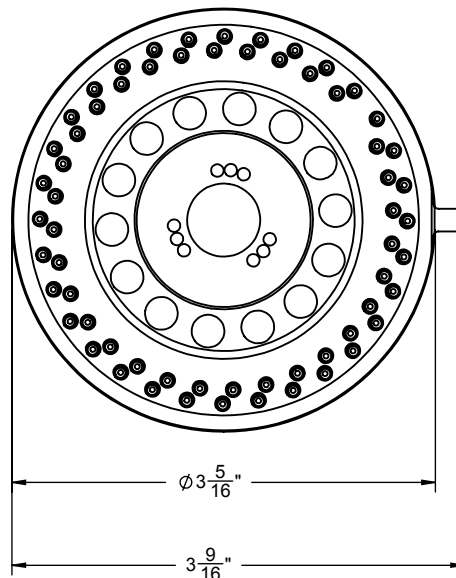
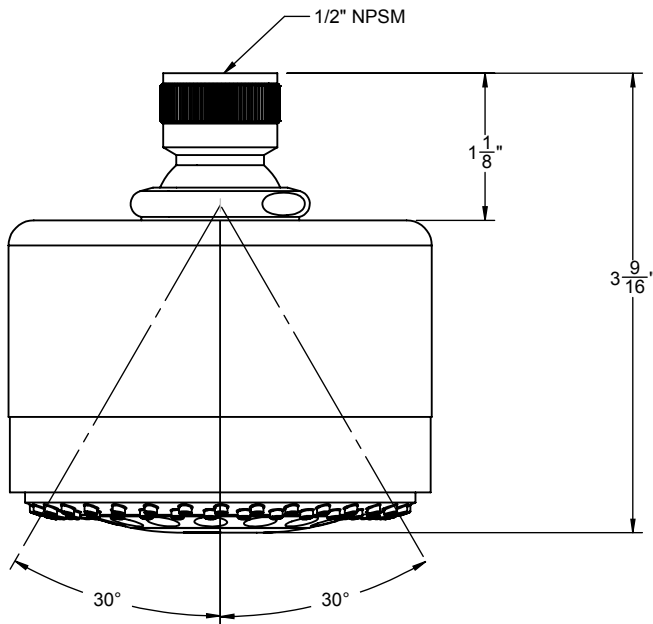
- Over 30 finishes including 14 PVD finishes
- Solid brass shell & pivot ball construction
- 6 functions: massage, jetted, aerated, message/aerated, massage/jetted, & jetted/aerated
- Positive click position per function
- Self-clean rubber jets
- 3-5/16" face diameter
- 1/2" FIP swivel inlet
- 2.5 gpm (9.5 Lpm) max flow rate
- Order **WE** for 2.0 gpm (7.6 Lpm) max flow rate

SH-08
WE-SH-08



Codes/Standards Applicable

- Meets or exceeds the following at date of manufacture:
- ASME A112.18.1/CSA B125.1



ALL DIMENSIONS SHOWN TO NEAREST 1/16"