



California Faucets®

1/2" Thermostatic Valve w/ Single Volume Control Trim Only

StyleTherm®

Features

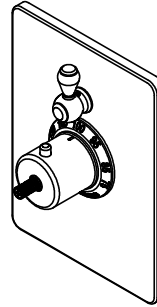
- Over 30 finishes including 12 PVD finishes
 - All brass construction
 - Rectangular faceplate
 - Engraved brass temperature ring
 - 100°F safety stop button with manual override
 - Contemporary or traditional volume control handle
 - Handles to match all California Faucets series
- See www.calfaucets.com for complete selection

Codes/Standards Applicable

Specified model meets or exceeds the following:

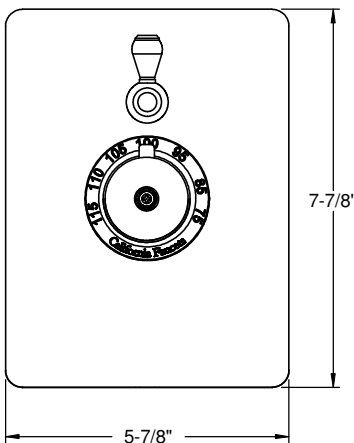
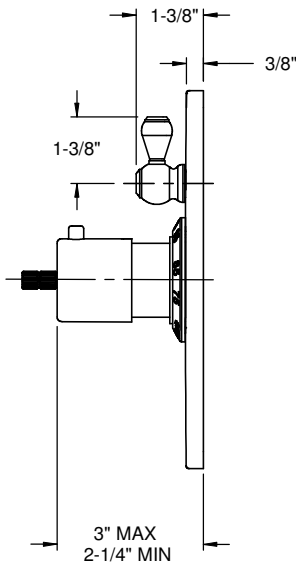
- ASME A112.18.1-2005/CSA B125.1-05
- ASSE 1016
- ADA (with lever handles)
- Listed IAPMO/UPC_C®

TO-THC1L-XX

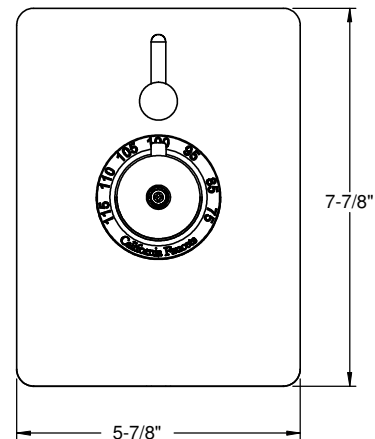
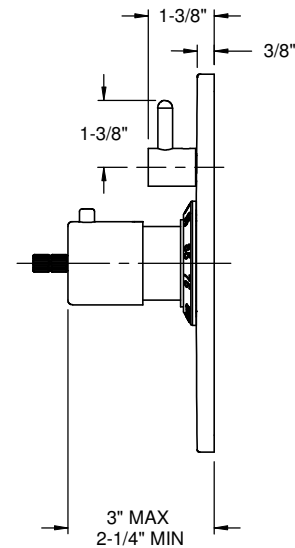


XX = Series Handle

Traditional Faceplate



Contemporary Faceplate



ALL DIMENSIONS SHOWN TO NEAREST 1/16"