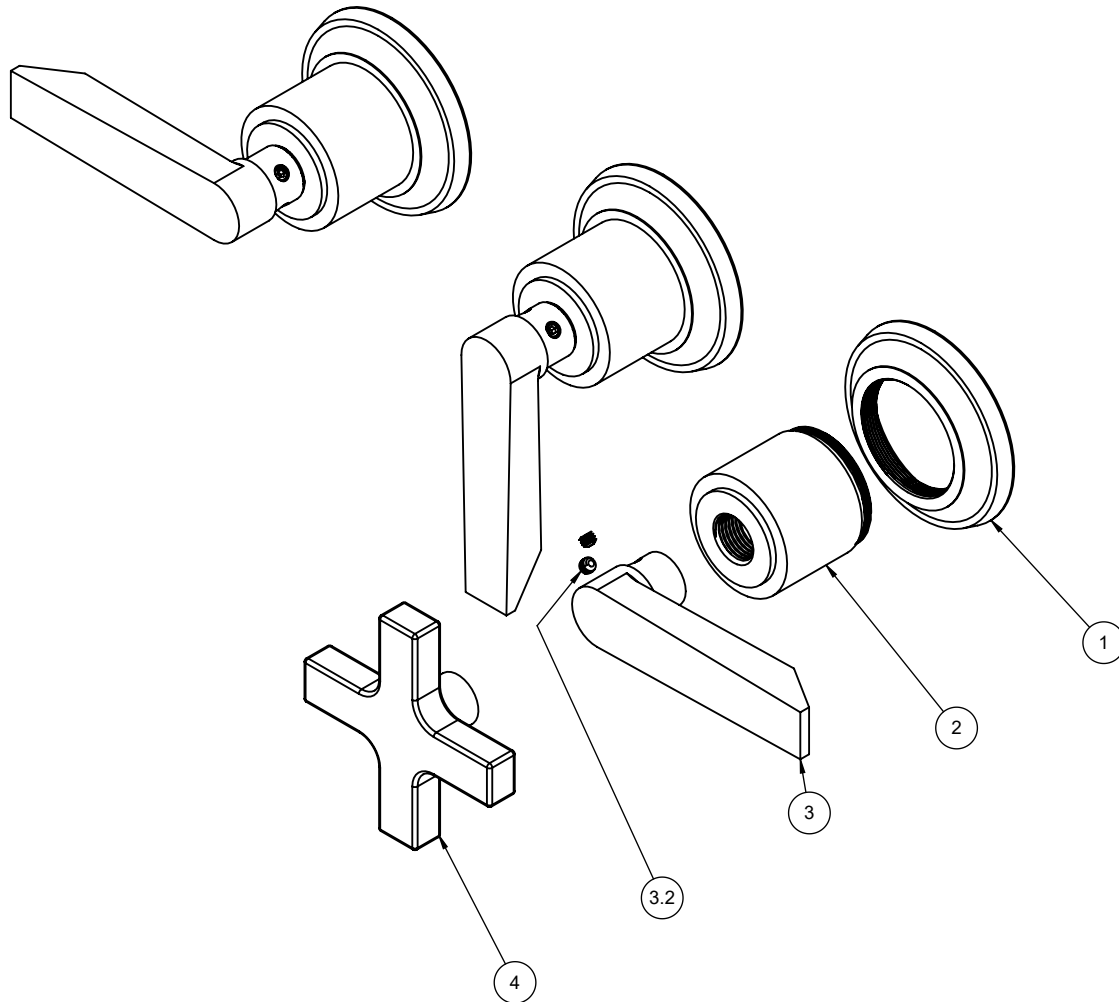


TO-45-W
TO-45X-W
TO-4506L
TO-4506XL
TO-4503L
TO-4503XL



To order spare parts add and/or replace as stated below:

SPD- prefix added to part number(s)
-ZZ replaced with finish code (see finish table)
-WW replaced with **-90** (light finish) or **-96** (dark finish)

Ex: **SPD-7-100463-PC** or **SPD-86030-96**

ITEM	PART NO.	DESCRIPTION	QTY
1	10363-ZZ	RING, BASE, TRAD	3
2	652120-ZZ	ESCUTCHEON, 65 & 66 SERIES	3
for 45 Series	3	7-100135-ZZ ASM, LEVER HANDLE - ART DECO (incl. 3.2)	3
	3.2	86030-WW SETSCREW 8-32 X 1/8 SCKT HD CUP PT SS	2
for 45X Series	4	7-100267-ZZ ASM, SQ. CROSS HDL (incl. 3.2)	3
for ITEM 3.2	6	882042-99 KEY, ALLEN, 5/64", BLACK	1