

## Ethos™ Design C Pedestal Lavatory

### FEATURES

- 27-1/2" x 19-5/8"
- SanaGloss® ceramic glaze - prevents debris and mold from sticking to ceramic surfaces, leading to fewer chemicals and less water in cleaning
- Traditional styling
- 34" Universal Height for maximum comfort
- Rear overflow
- Vitreous china pedestal and lavatory combination complete with mounting hardware

### MODELS

- LPT680G  
Pedestal lavatory with single hole
- LPT680.4G  
Pedestal lavatory with 4" faucet centers
- LPT680.8G  
Pedestal lavatory with 8" faucet centers
- Available Components:  
LT680G  
Lavatory with single hole  
  
LT680.4G  
Lavatory with 4" faucet centers  
  
LT680.8G  
Lavatory with 8" faucet centers  
  
PT680  
Pedestal only, with mounting hardware

### COLORS/FINISHES

- #01 Cotton
- #12 Sedona Beige



**SanaGloss**

Faucet sold separately

### CODES/STANDARDS

- Meets and exceeds ASME A112.19.2/CSA B45.1
- Certifications: IAPMO(cUPC), State of Massachusetts, City of Los Angeles, and others
- Code compliance: UPC, IPC, NSPC, NPC Canada, and others



### PRODUCT SPECIFICATION

The lavatory shall have SanaGloss glazing and be 27-1/2" width and 19-5/8" depth. The basin shall be 20-7/8" width and 12-1/4" depth. The lavatory shall be made of vitreous china and be 34" universal height with rear overflow. Lavatory shall be TOTO Model LPT680\_\_\_\_\_.

# LPT680G

## Ethos™ Design C Pedestal Lavatory

### SPECIFICATIONS

- Waste 1-1/4" O.D.
- Size 27-1/2"W x 19-5/8"D
- Basin 20-7/8"W x 12-1/4"D
- Warranty One Year Limited Warranty
- Material Vitreous china
- Shipping Weight LT680G/LT680.4G/LT680.8G  
57 lbs.

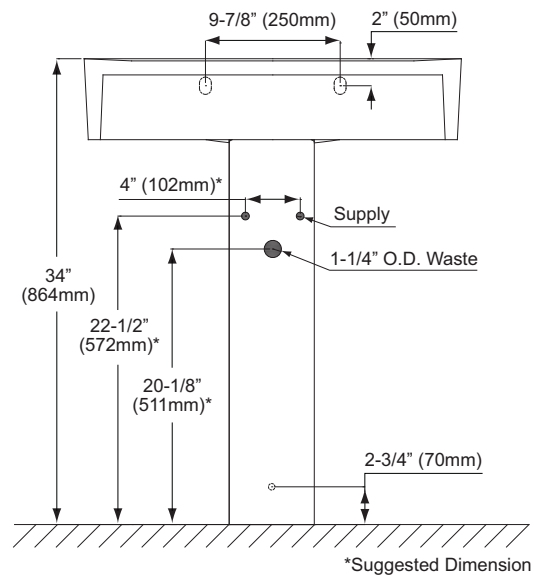
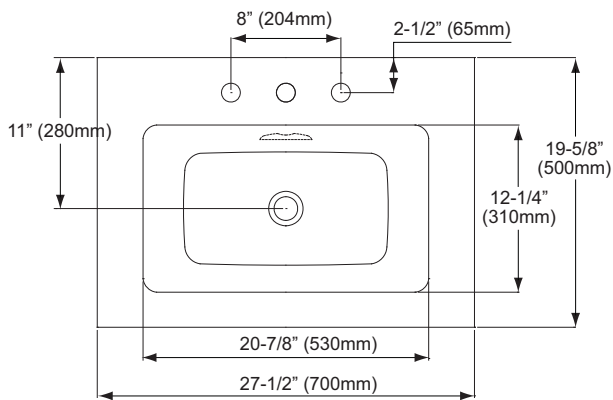
PT680  
27 lbs.

- Shipping Dimensions LT680G/LT680.4G/LT680.8G  
28-7/8"W x 21-1/4"D x  
10-1/8"H

PT680  
29-1/4"W x 7-3/8"D  
x 8-1/8"H

### INSTALLATION NOTES

Requires PT680 pedestal for support. Use proper back support to mount product.



**TOTO®**

These dimensions and specifications are subject to change without notice