

Ethos™ Design L Pedestal Lavatory

FEATURES

- 29-7/8" x 20-3/4"
- SanaGloss® ceramic glaze - prevents debris and mold from sticking to ceramic surfaces, leading to fewer chemicals and less water in cleaning
- Contemporary styling
- 34" Universal Height for maximum comfort
- Rear overflow
- Vitreous china pedestal and lavatory combination complete with mounting hardware

MODELS

- LPT660G
Pedestal lavatory with single hole
- LPT660.4G
Pedestal lavatory with 4" faucet centers
- LPT660.8G
Pedestal lavatory with 8" faucet centers
- Available Components:
LT660G
Lavatory with single hole

LT660.4G
Lavatory with 4" faucet centers

LT660.8G
Lavatory with 8" faucet centers

PT660
Pedestal only, with mounting hardware

COLORS/FINISHES

- #01 Cotton
- #12 Sedona Beige



SanaGloss

Faucet sold separately

CODES/STANDARDS

- Meets and exceeds ASME A112.19.2/CSA B45.1
- Certifications: IAPMO(cUPC), State of Massachusetts, City of Los Angeles, and others
- Code compliance: UPC, IPC, NSPC, NPC Canada, and others



PRODUCT SPECIFICATION

The lavatory shall have SanaGloss glazing and be 29-7/8" width and 20-3/4" depth. The basin shall be 20" width and 12-5/8" depth. The lavatory shall be made of vitreous china and be 34" universal height with rear overflow. Lavatory shall be TOTO Model LPT660_____.

LPT660G

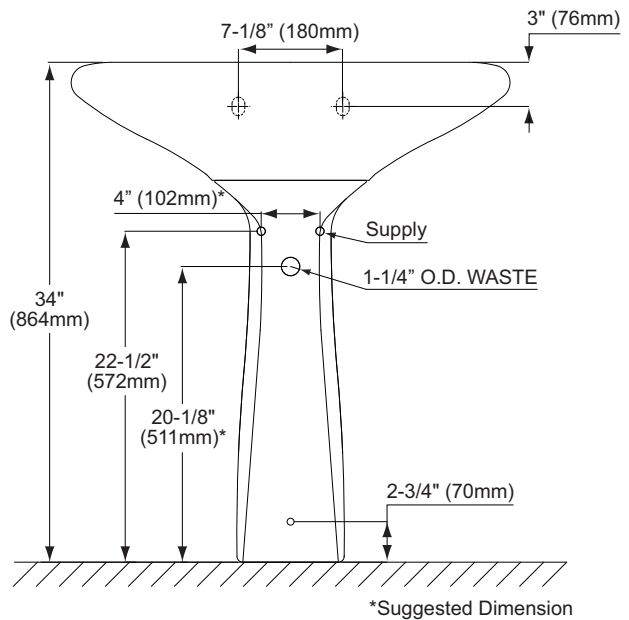
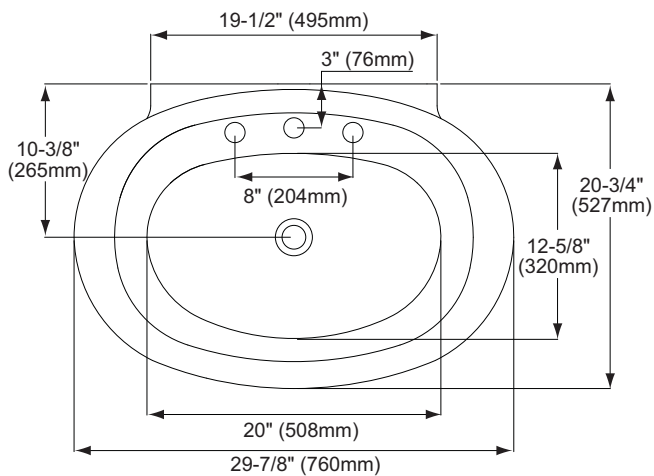
Ethos™ Design L Pedestal Lavatory

SPECIFICATIONS

- Waste 1-1/4" O.D.
 - Size 29-7/8" W x 20-3/4" D
 - Basin 20" W x 12-5/8" D
 - Warranty One Year Limited Warranty
 - Material Vitreous china
 - Shipping Weight LT660G/LT660.4G/LT660.8G
51 lbs.
- PT660
24 lbs.
- Shipping Dimensions LT660G/LT660.4G/LT660.8G
30-7/8" W x 22" D x 9-3/4" H
- PT660
27-1/8" W x 11-5/8" D
x 7-3/4" H

INSTALLATION NOTES

Requires PT660 pedestal for support. Use proper back support to mount product.



TOTO®

These dimensions and specifications are subject to change without notice