



FRESCA®

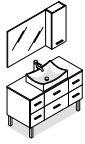
FVN6123

STELLA

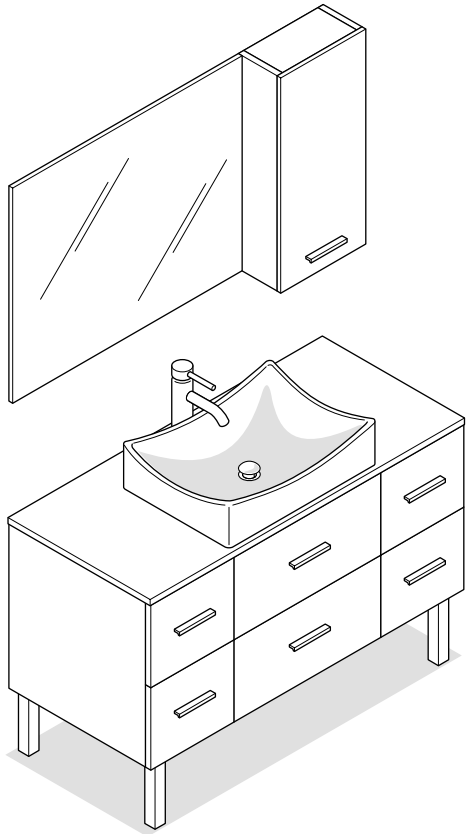
INSTALLATION GUIDE

CONTENTS:

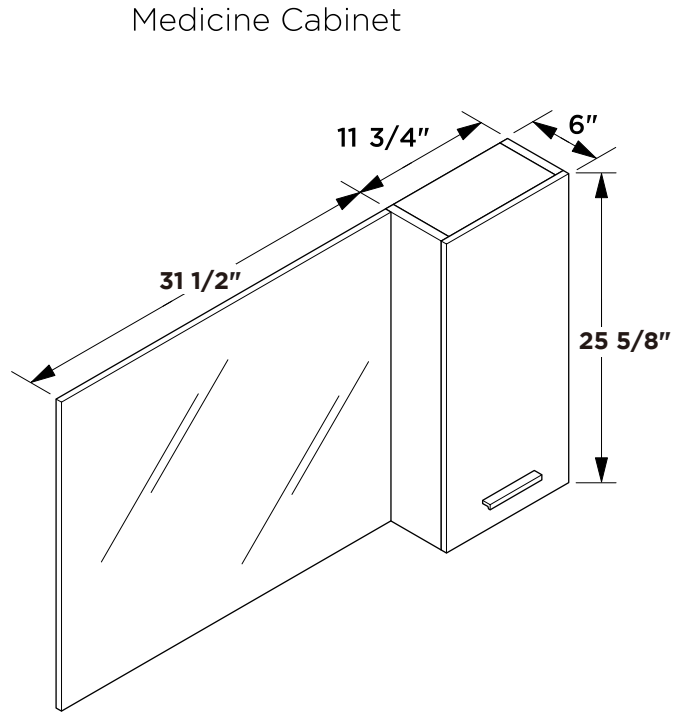
Cabinet..... (FCB6123).....	PAGE 2 (STEP 2)
Sink..... (FVS6123).....	PAGE 2 (STEP 4)
Countertop..... (FCT6123).....	PAGE 2 (STEP 3)
Mirror..... (FMR6123).....	PAGE 2 (STEP 5)
Storage Cabinet... (FST6123).....	PAGE 2 (STEP 1)



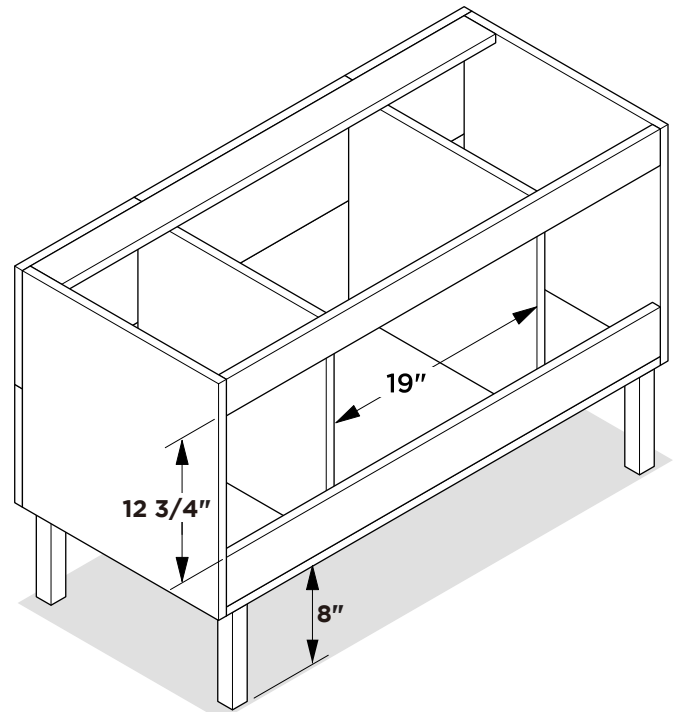
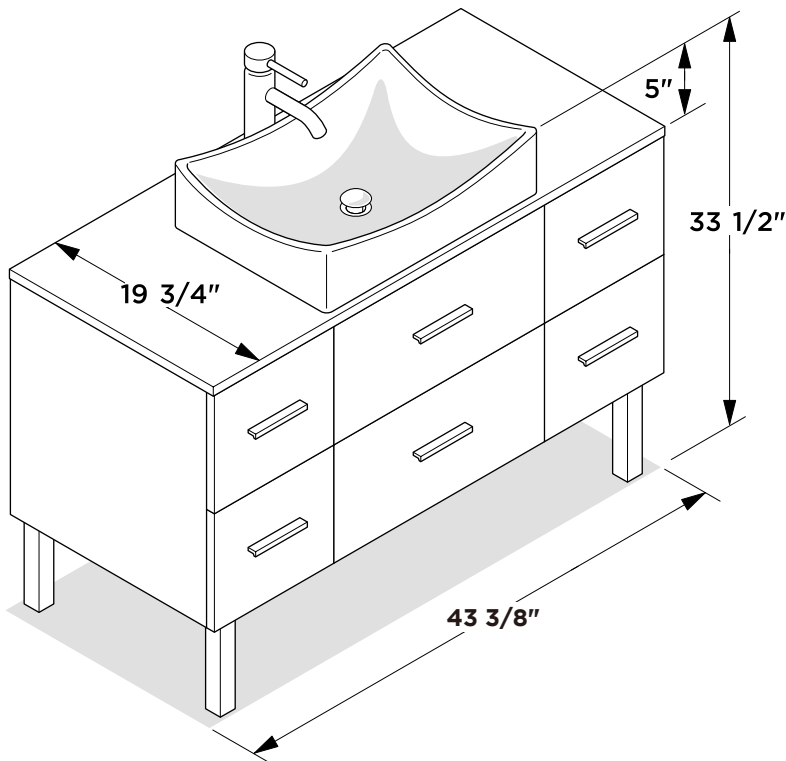
FVN6123
ESPRESSO
INSTALLATION GUIDE



Vanity Front

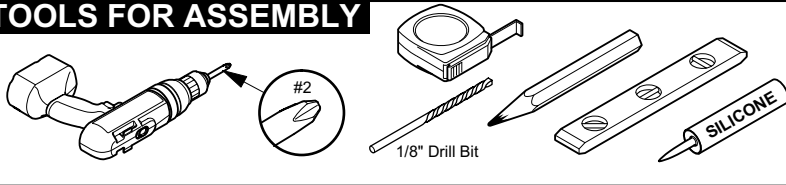


Medicine Cabinet

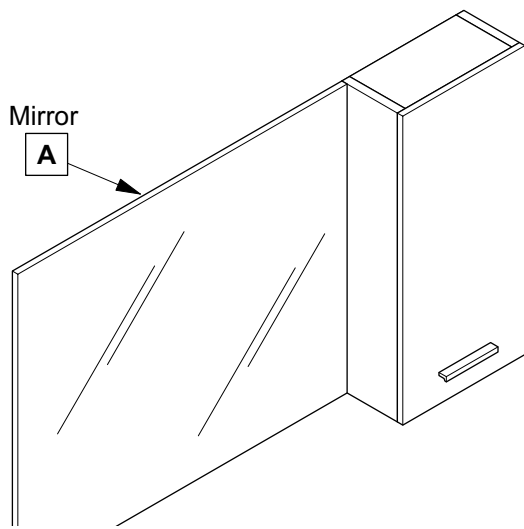


Vanity Back

TOOLS FOR ASSEMBLY



Mirror **A**

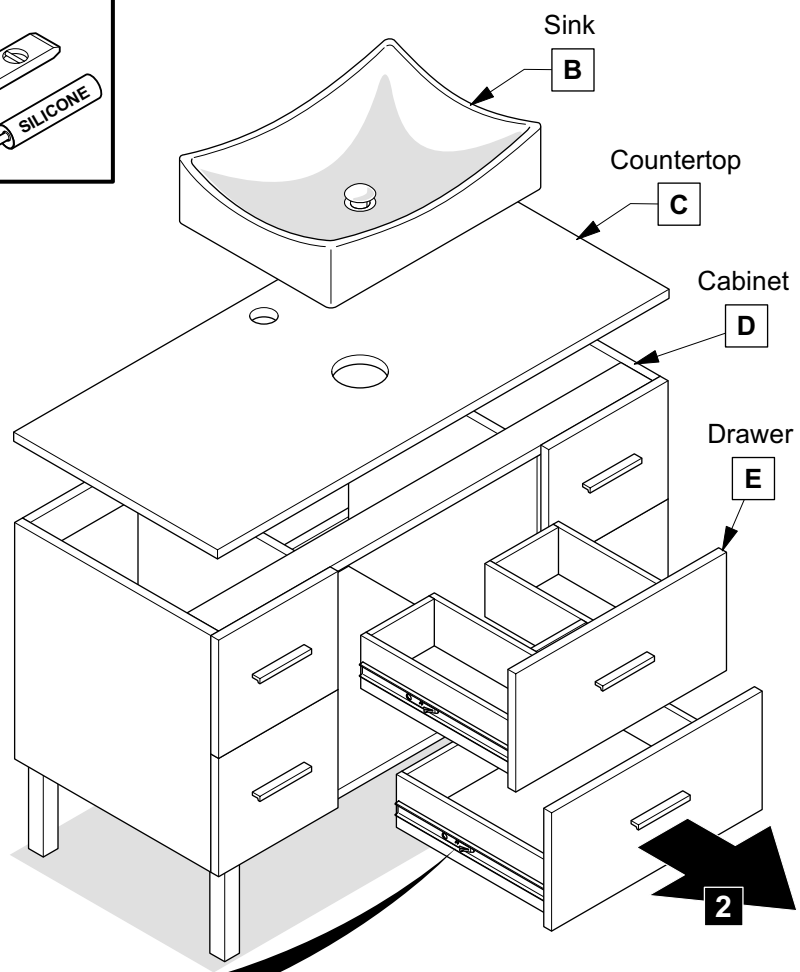


Sink **B**

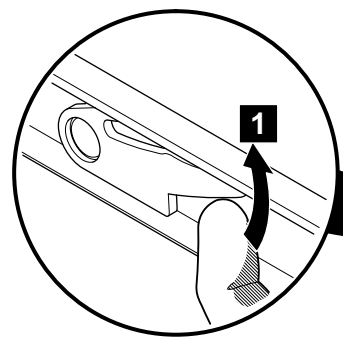
Countertop **C**

Cabinet **D**

Drawer **E**

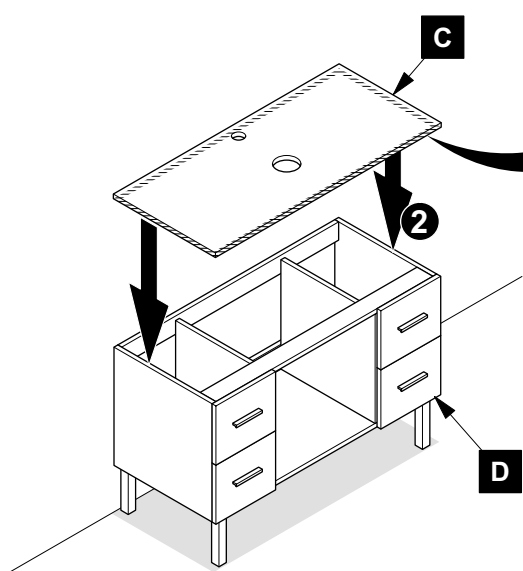


1 Remove drawer (E)



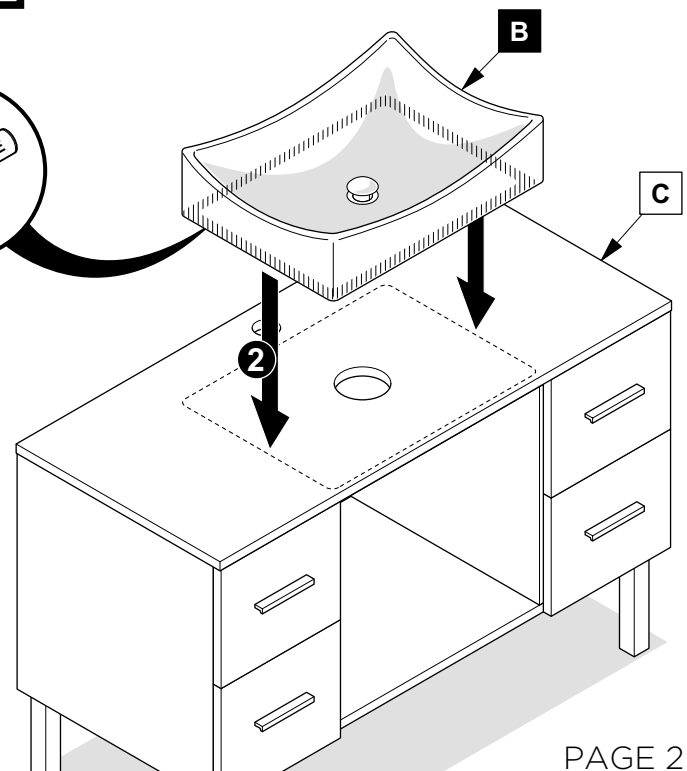
2 Position cabinet (D)

3 Apply silicone and install countertop (C)



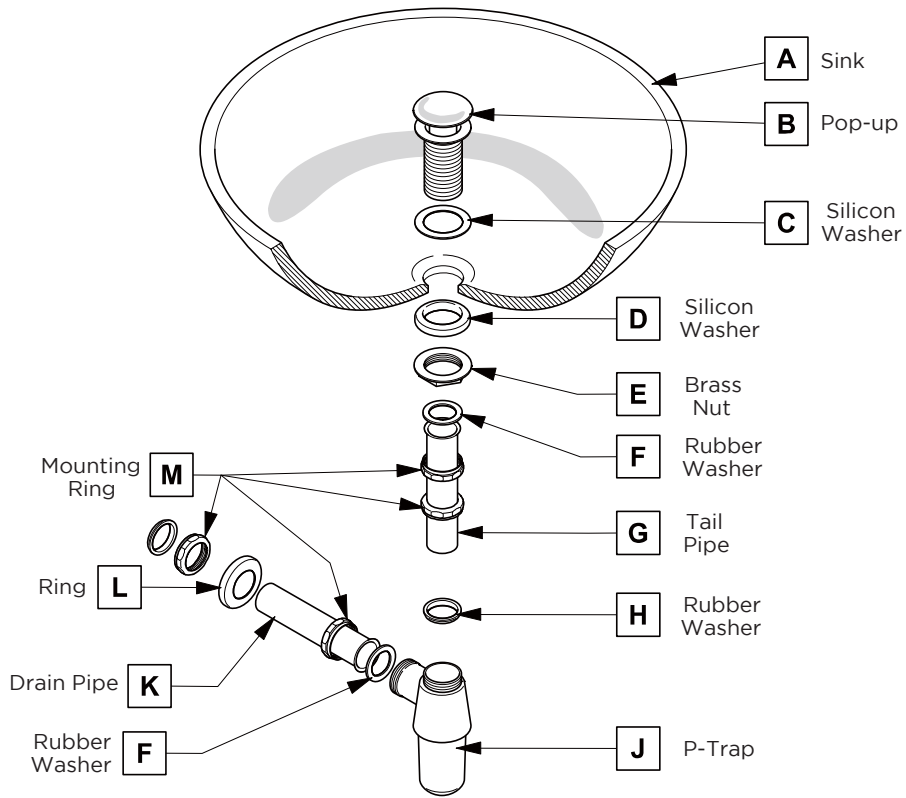
4 Apply silicone and install sink (B)

5 Install Mirror (A)



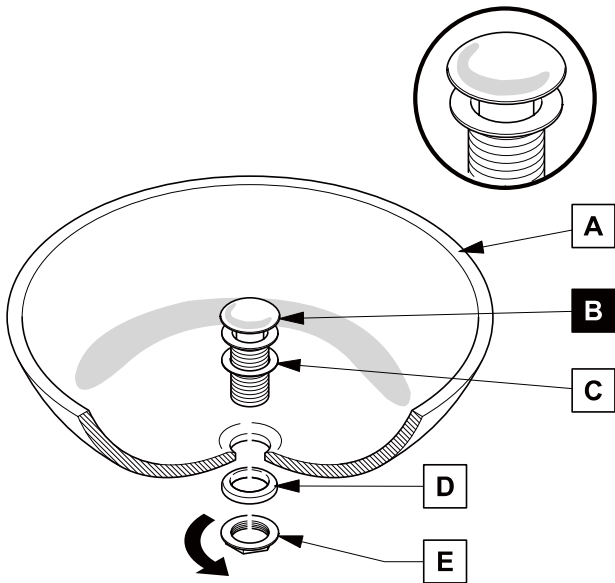
P-TRAP AND POP-UP INSTALLATION INSTRUCTIONS

Your item may appear slightly different from the illustration



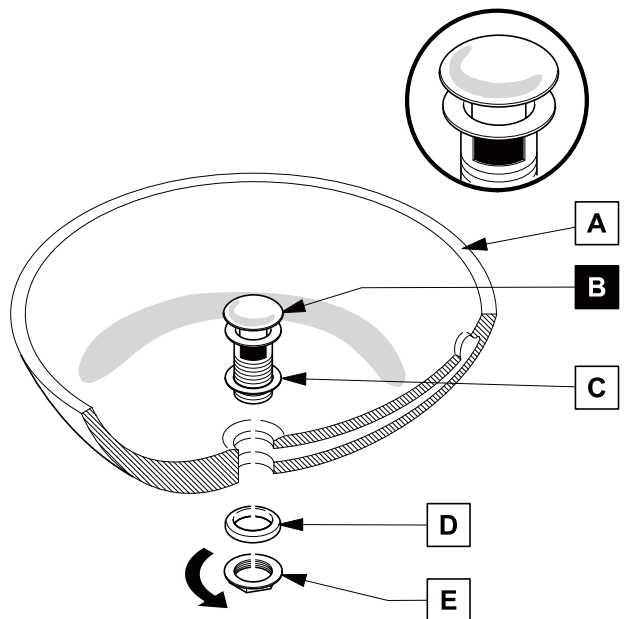
POP-UP INSTALLATION

FOR SINKS WITHOUT OVERFLOW



OR

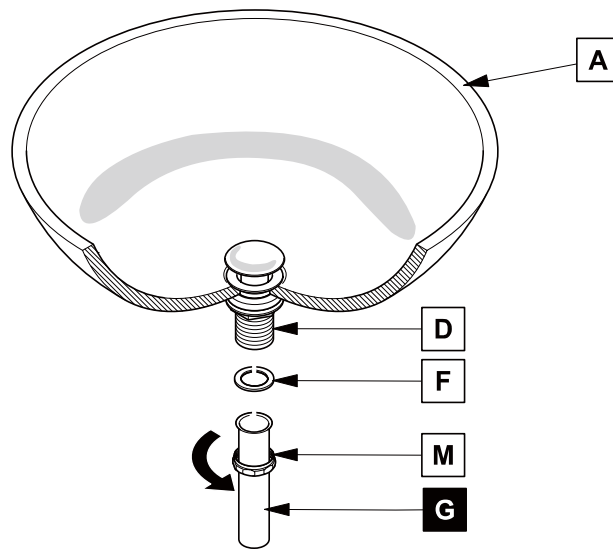
FOR SINKS WITH OVERFLOW



P-TRAP INSTALLATION

1

Install tail pipe (G)



2

Install p-trap (J)

