

FEATURES

- 29-1/2" x 17-3/4"
- SanaGloss® ceramic glaze - prevents debris and mold from sticking to ceramic surfaces, leading to fewer chemicals and less water in cleaning
- Contemporary styling
- Rear overflow
- 34" Universal Height for maximum comfort
- Vitreous china pedestal and lavatory combination complete with mounting hardware

MODELS

- LPT325G
Pedestal lavatory with single hole
- LPT325.4G
Pedestal lavatory with 4" faucet centers
- LPT325.8G
Pedestal lavatory with 8" faucet centers
- Available Components:
 - LT325G
Lavatory with single hole
 - LT325.4G
Lavatory with 4" faucet centers
 - LT325.8G
Lavatory with 8" faucet centers
 - PT325
Pedestal only, with mounting hardware

COLORS/FINISHES

- #01 Cotton
- #12 Sedona Beige



SanaGloss

Faucet sold separately

CODES/STANDARDS

- Meets and exceeds ASME A112.19.2/CSA B45.1
- Certifications: IAPMO(cUPC), State of Massachusetts, City of Los Angeles, and others
- Code compliance: UPC, IPC, NSPC, NPC Canada, and others



PRODUCT SPECIFICATION

The lavatory shall have SanaGloss glazing and be 29-1/2" width and 17-3/4" depth. The basin shall be 24-9/16" width and 10-1/4" depth. The lavatory shall be made of vitreous china and be 34" universal height with rear overflow. Lavatory shall be TOTO Model LPT325_____.

LPT325G

Pedestal Lavatory

SPECIFICATIONS

- Waste 1-1/4" O.D.
- Size 29-1/2" W x 17-3/4" D
- Basin 24-9/16" W x 10-1/4" D
- Warranty One Year Limited Warranty
- Material Vitreous china
- Shipping Weight LT325G/LT325.4G/LT325.8G
47 lbs.

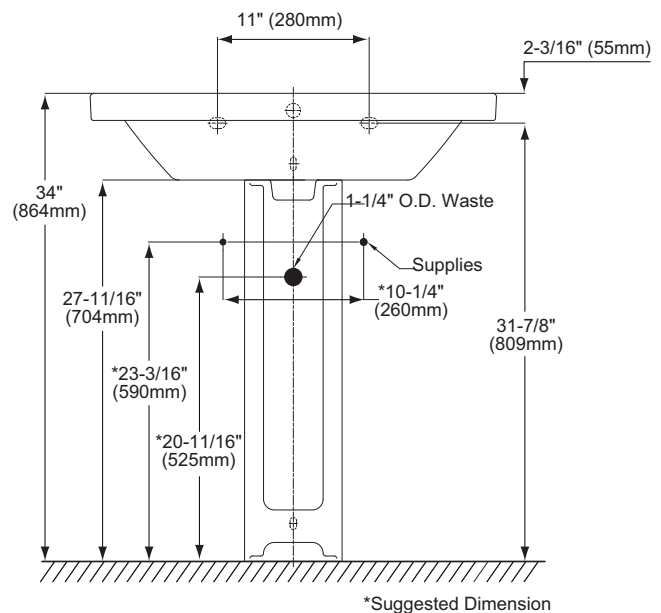
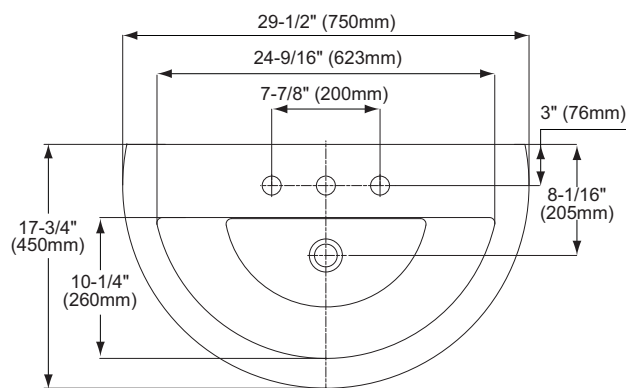
PT325
27 lbs.

- Shipping Dimensions LT325G/LT325.4G/LT325.8G
30-5/16" W x 18-1/8" D
x 8-5/8" H

PT325
28-3/8" W x 7-7/8" D
x 7-11/16" H

INSTALLATION NOTES

Requires PT325 pedestal for support. Use proper back support to mount product.



TOTO®

These dimensions and specifications are subject to change without notice