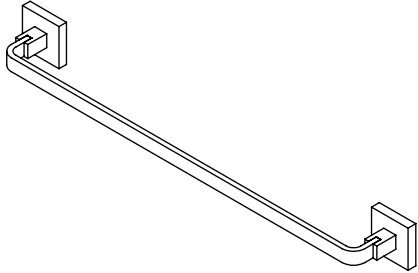


### Dual Post Items

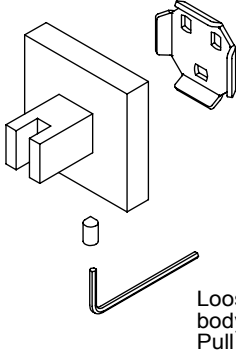


Towel Bar

#### Towel Bar Dimensions

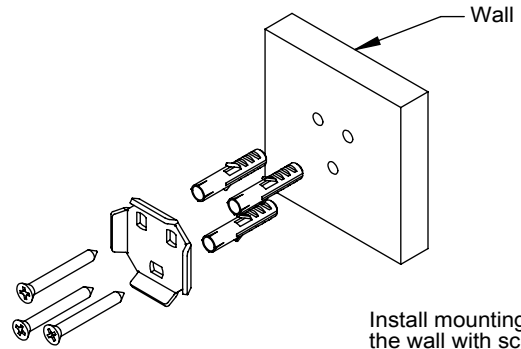


1



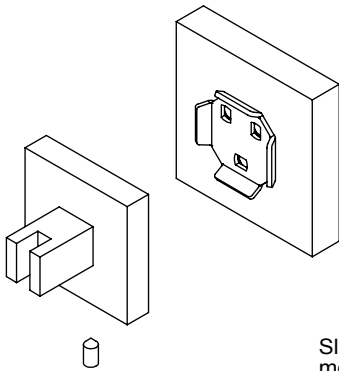
Loosen the set screws of the body assemblies. Pull out the mounting brackets.

2



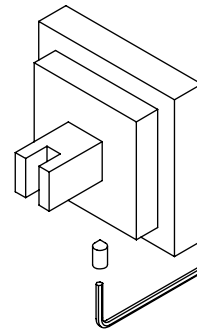
Install mounting brackets to the wall with screws (supplied) and anchors (if applicable).

3



Slide body assemblies onto mounting brackets.

4



Tighten set screws with allen key (supplied).

