



Features

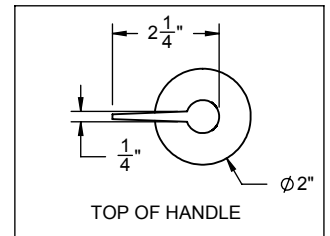
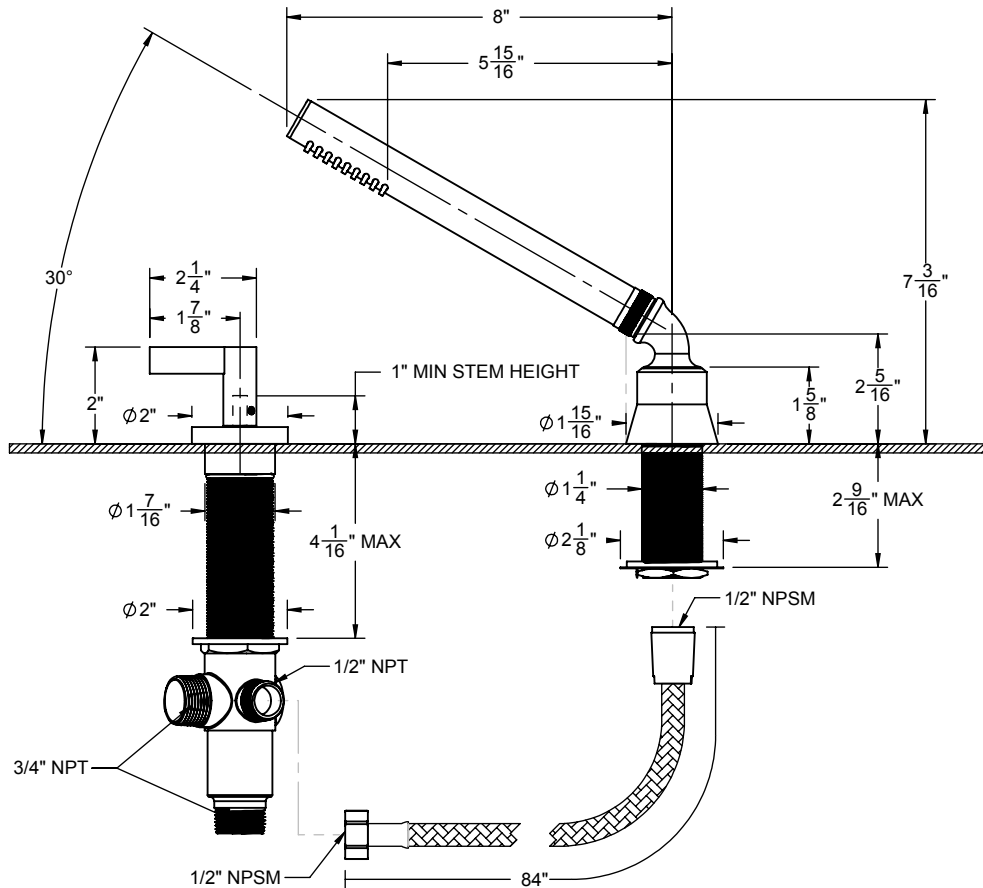
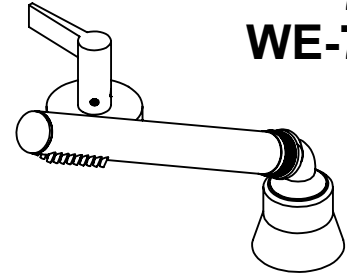
- Over 30 finishes including 14 PVD finishes
- Solid brass construction
- Handshower: Maximum flow rate: 2.5 gpm (9.5 L/m) or 2.0 gpm (7.6 L/m) for "WE" (water efficient) model
- Handshower: 1/2" MIP inlet with self-clean rubber jets
- Handshower elbow: 1/2" FIP swivel nut with 1/2" MIP inlet
- Valve: Anti-siphon backflow prevention with 1/4 turn between outlet ports
- Hose: 84" Black poly braided hose. Provides durable, quiet & no damage to trim finish during operation
- Comes as a complete set with trim and valve
- For additional product offerings, see www.californiafaucets.com

Codes/Standards Applicable

Meets or exceeds the following at date of manufacture:

- ASME A112.18.1/CSA B125.1

71.1 WE-71.1



THROUGH-HOLE SPECIFICATIONS		
	MIN	RECOMENDED
SHOWER:	$\phi 1\frac{1}{4}"$	$\phi 1\frac{1}{4}"$
VALVE:	$\phi 1\frac{7}{16}"$	$\phi 1\frac{1}{2}"$

ALL DIMENSIONS SHOWN TO NEAREST 1/16"