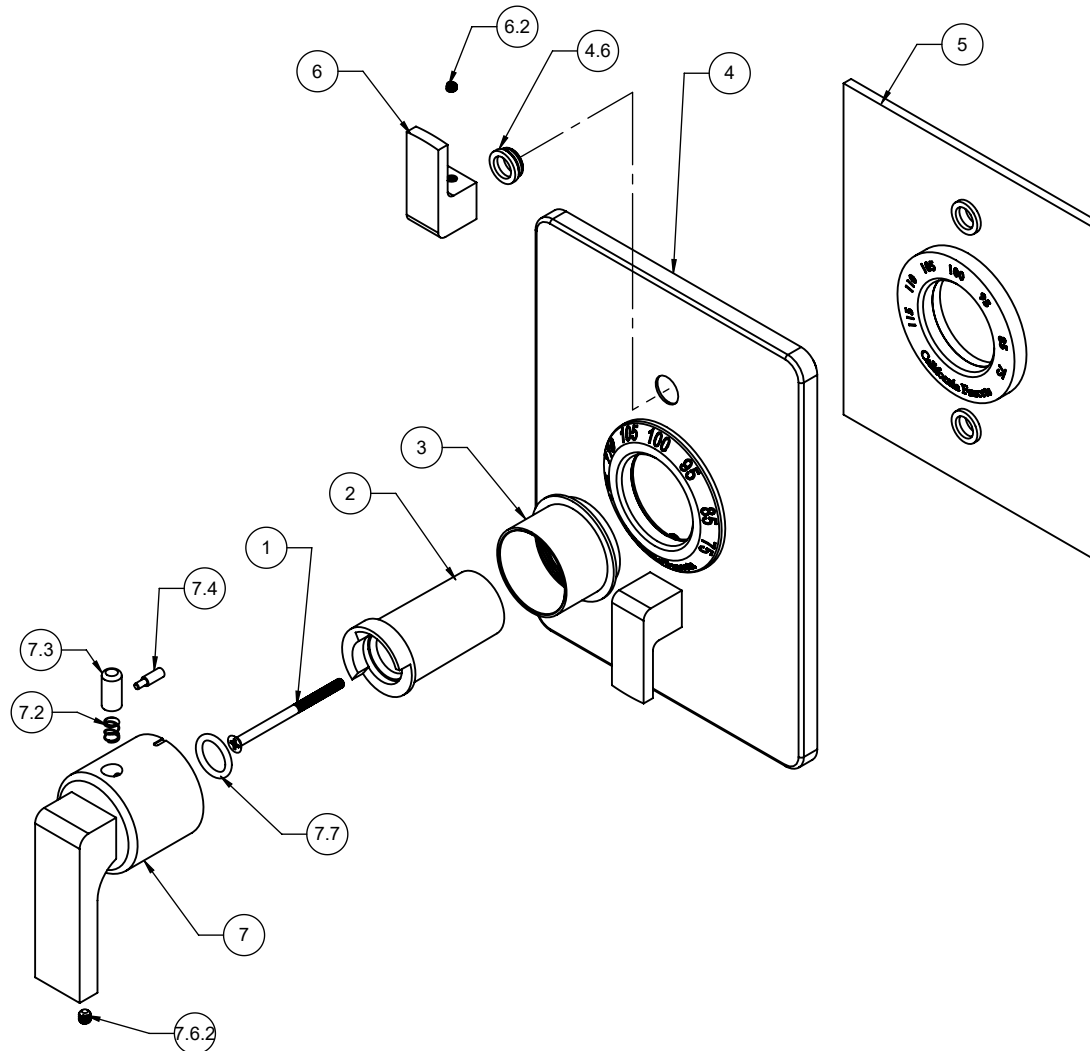


TO-THC2L-70
TO-THF2L-70



To order spare parts add and/or replace as stated below:

SPD- prefix added to part number(s)
-ZZ replaced with finish code (see finish table)
-WW replaced with **-90** (light finish) or **-96** (dark finish)

Ex: **SPD-7-100463-PC** or **SPD-86030-96**

for TO-THC2L

for TO-THF2L

for ITEM 6.2

for ITEM 7.6.2

ITEM	PART NO	DESCRIPTION	QTY.
1	86059-90	SCREW M4 X 0.7 X 60MM PH FLT HD SS	1
2	10092-81	STOP, THERM TEMP, SHORT	1
3	10090-ZZ	SLEEVE, THERMO MOUNTING	1
4	7-100048-ZZ	ASM, SHOWERPLATE, CONT SQ. THERM W/ 2 VC <i>(incl. 4.6)</i>	1
4.6	223467-99	NYLON BUSHING FOR PBS FACEPLATE	2
5	7-100240-ZZ	ASM, SHWRPLATE, CONT FLAT, THERM W/2 VC <i>(incl. 4.6)</i>	1
6	7-100180-ZZ	ASM, THERM VC - CONT BLADE <i>(incl. 6.2)</i>	2
6.2	86030-WW	SETSCREW 8-32 X 1/8 SCKT HD CUP PT SS	1
7	TH-H-45-ZZ	THERM HANDLE KIT <i>(incl. 7.2, 7.3, 7.4, 7.6.2, 7.7)</i>	1
7.2	10098-99	SPRING, Ø.24 X .312 LG, 1.4 LB/IN	1
7.3	10093-81	BUTTON, BLACK THERM	1
7.4	10062-98	PIN, THERMO BONNET	1
7.6.2	86033-WW	SETSCREW 10-24 X 3/16 SCKT HD CUP PT SS	1
7.7	87222-80	O-RING Ø13.94 X 2.62 (-113) EPDM A70 (NSF61-12 & WRAS)	1
8	882042-99	KEY, ALLEN, 5/64", BLACK	1
9	882043-99	KEY, ALLEN, 3/32", BLACK	1