



California Faucets®

Solimar™

CF-7002

Widespread Lavatory Faucet Installation Instructions

CALIFORNIA FAUCETS RECOMMENDS THAT ALL PLUMBING PRODUCTS BE INSTALLED BY A LICENSED PROFESSIONAL

IMPORTANT: Read all instructions prior to installation and provide copy of instructions to consumer.

Operating Specifications:

Recommended Supply Pressure: 20 to 70 psi**

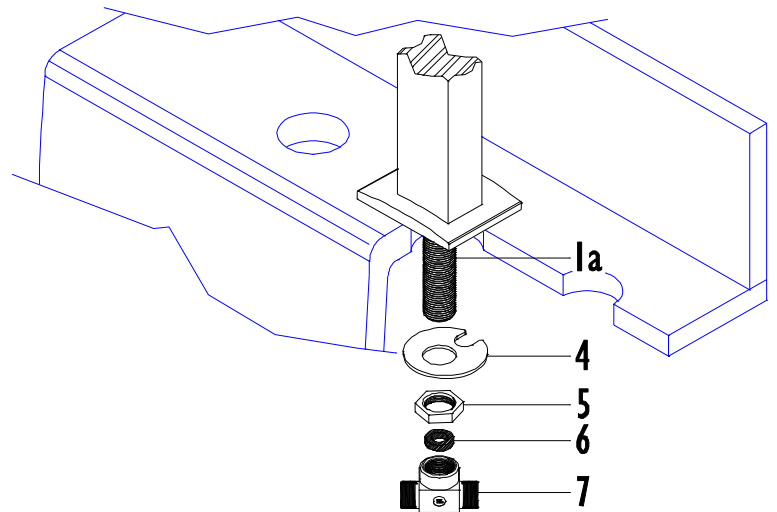
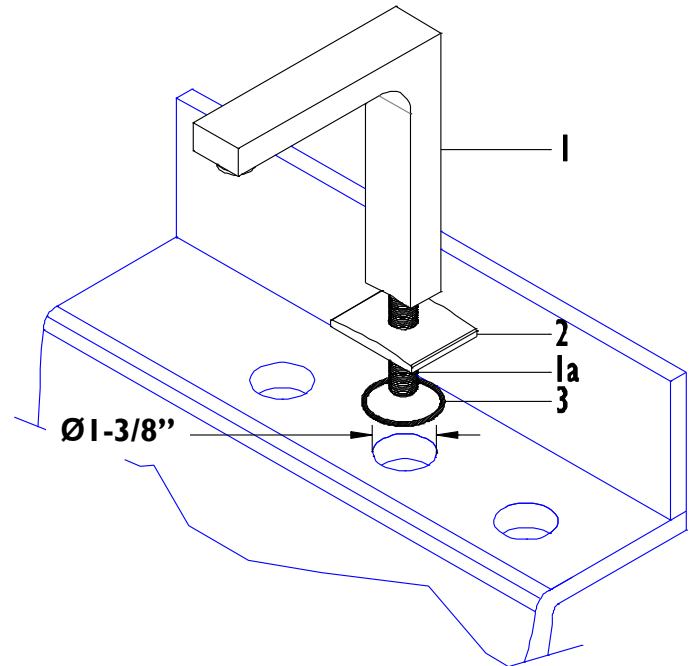
Maximum Flow Rate: 1.5 gpm

* Operating pressures between hot and cold supplies should vary no more than 30 psi.

† If water pressure exceeds 70 psi, install a Pressure-Reducing Valve (RPV).

I INSTALLING SPOUT TO SINK/DECK

- Sink/Deck recommended hole size shall be **Ø1-3/8"**
- Place **O-RING (3)** into **BASE (2)** and sliding **BASE (2)** onto spout **SHANK (1a)**
- Insert spout **SHANK (1a)** through sink/deck hole
- From underside, place **SLOTTED WASHER (4)** onto spout **SHANK (1a)** and tighten **SPOUT (1)** into place with **NUT (5)**
- Insert **RUBBER WASHER (6)** into **TEE (7)** and attach to spout **SHANK (1a)**. **TEE (7)** should be tightened to create watertight seal and positioned to allow ease of attachment of valve hoses



2

INSTALLING VALVE

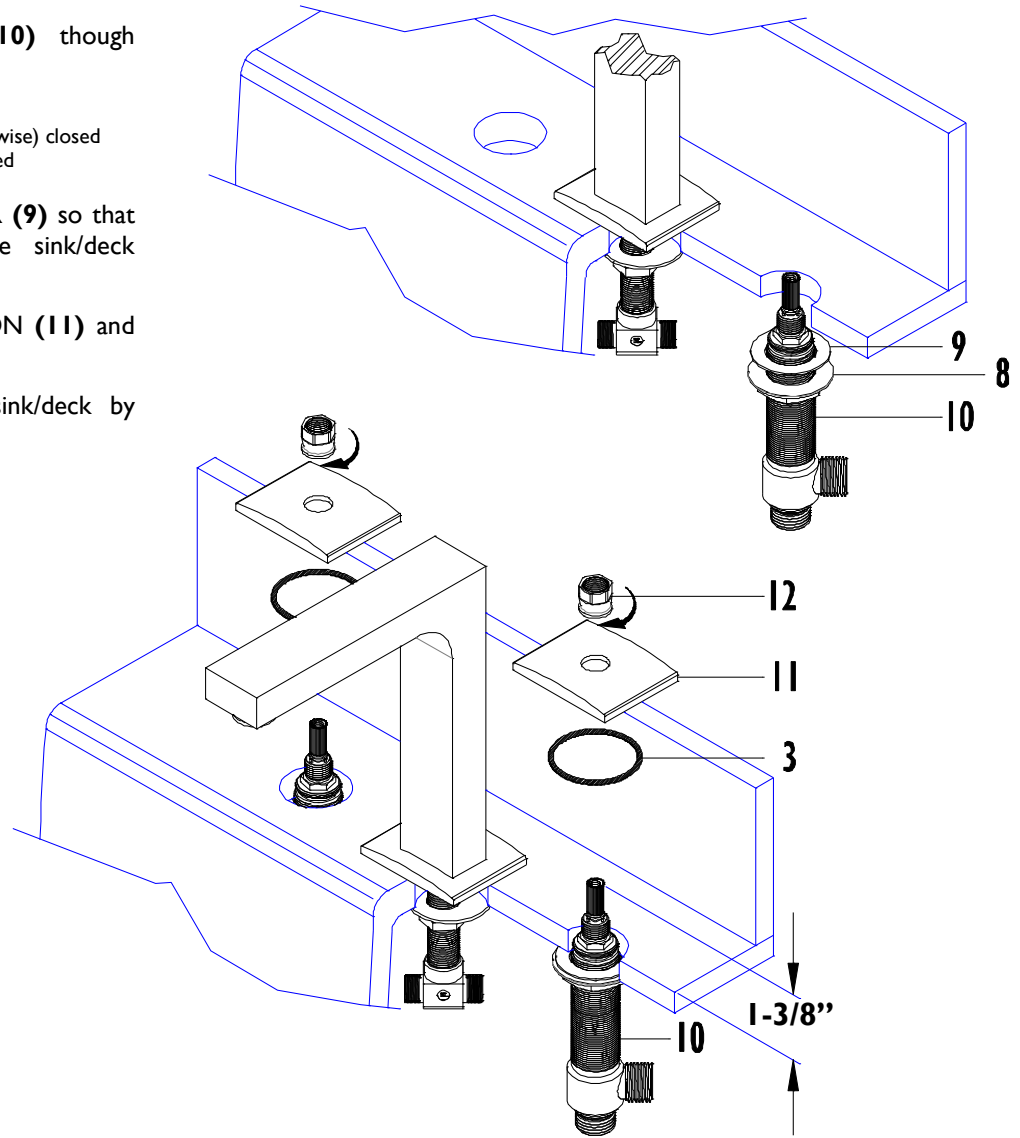
- From underneath insert VALVE (10) through appropriate sink/deck hole

IMPORTANT: VALVES (10) are labeled as follows:

BLUE is **COLD** left turning (counter-clockwise) closed

RED is **HOT** right-turning (clockwise) closed

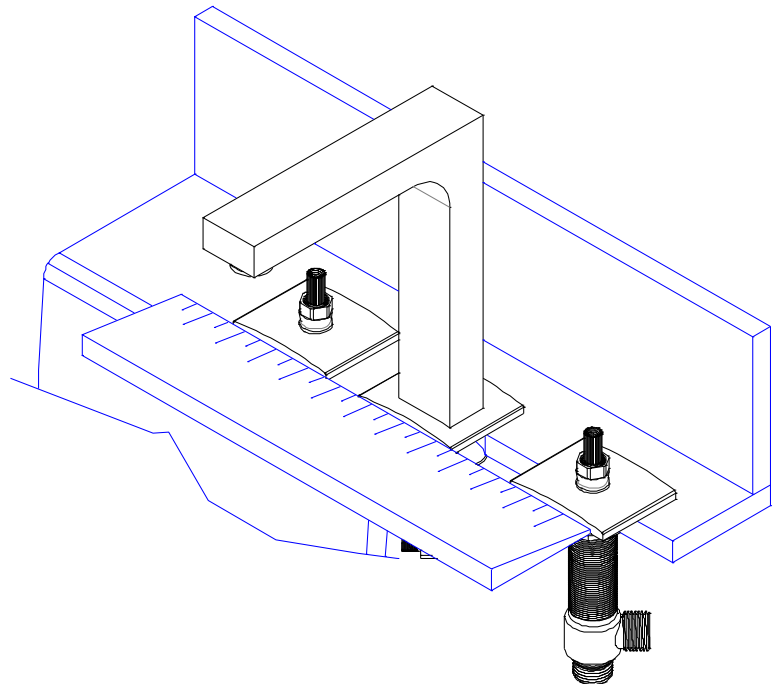
- Position flange NUT (8) and WASHER (9) so that VALVE (10) extends 1-3/8" above sink/deck surface
- Insert O-RING (3) into ESCUTCHEON (11) and place onto VALVE (10)
- Secure ESCUTCHEON (11) onto sink/deck by tightening lock NUT (12)



3

ALIGNMENT OF BASES

- Use a ruler or straight edge to align the spout base and escutcheons of the faucet as shown
- After alignment retighten lock nuts and spout nut



4

INSTALLING HANDLE

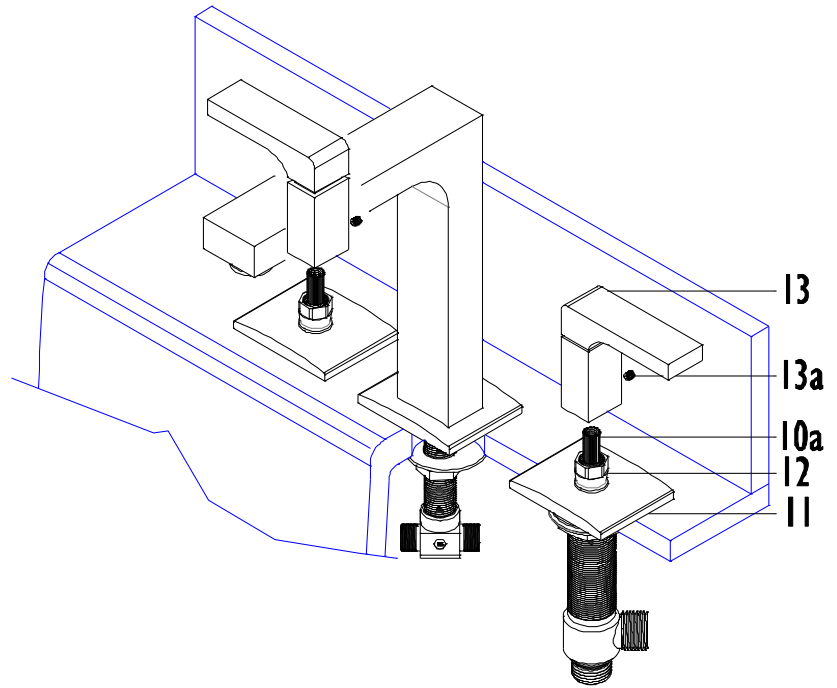
- Loosen SETSCREW (13a) from HANDLE (13)

IMPORTANT: Handle BLADE (13b) shall be aligned with wider portion of handle POST (13c)

- Slide HANDLE (13) down onto and engage valve STEM (10a)
- Handle POST (13c) shall completely cover lock NUT (12) and seat against ESCUTCHEON (11)
- Tighten SETSCREW (13a) and rotate handle BLADE (13b) to check operation, open position is when BLADE (13b) is rotated forward

To obtain proper alignment it may be necessary to rotate VALVE (10) so that handle BLADE (13b) is aligned with SPOUT (1). This may be achieved as follows:

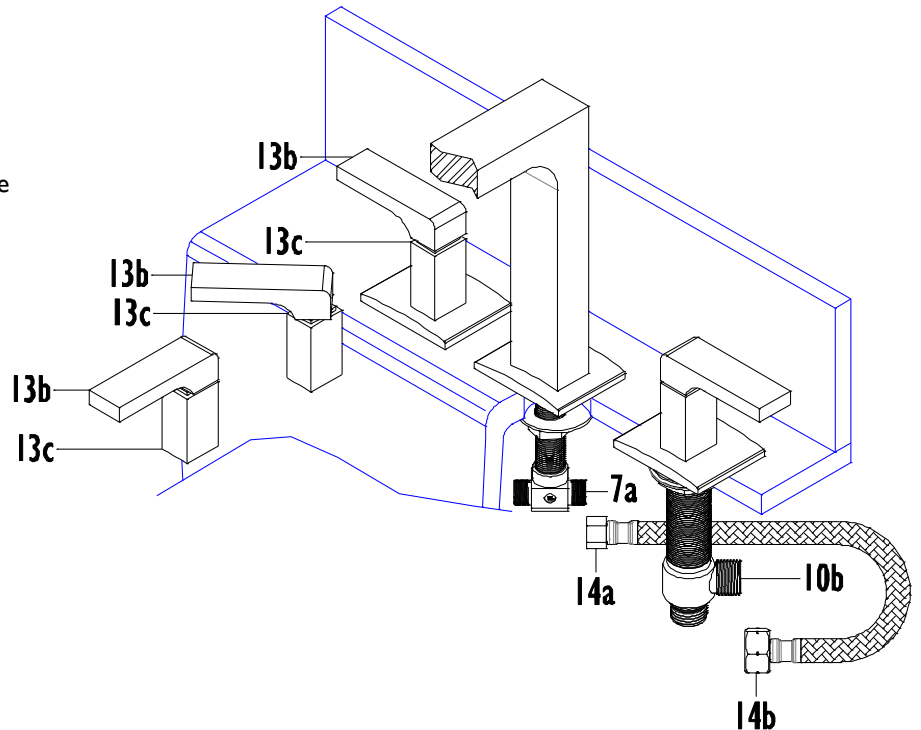
- Slightly loosen lock NUT (12)
- Place HANDLE (13) onto valve STEM (10a)
- Rotate VALVE (10) in proper direction to achieve proper alignment of handle BLADE (13b)
- Remove HANDLE (13) and while firmly holding VALVE (10) in position from underneath securely tighten lock NUT (12)
- Then reattached HANDLE (13) as mentioned above



5

INSTALLING VALVE HOSES

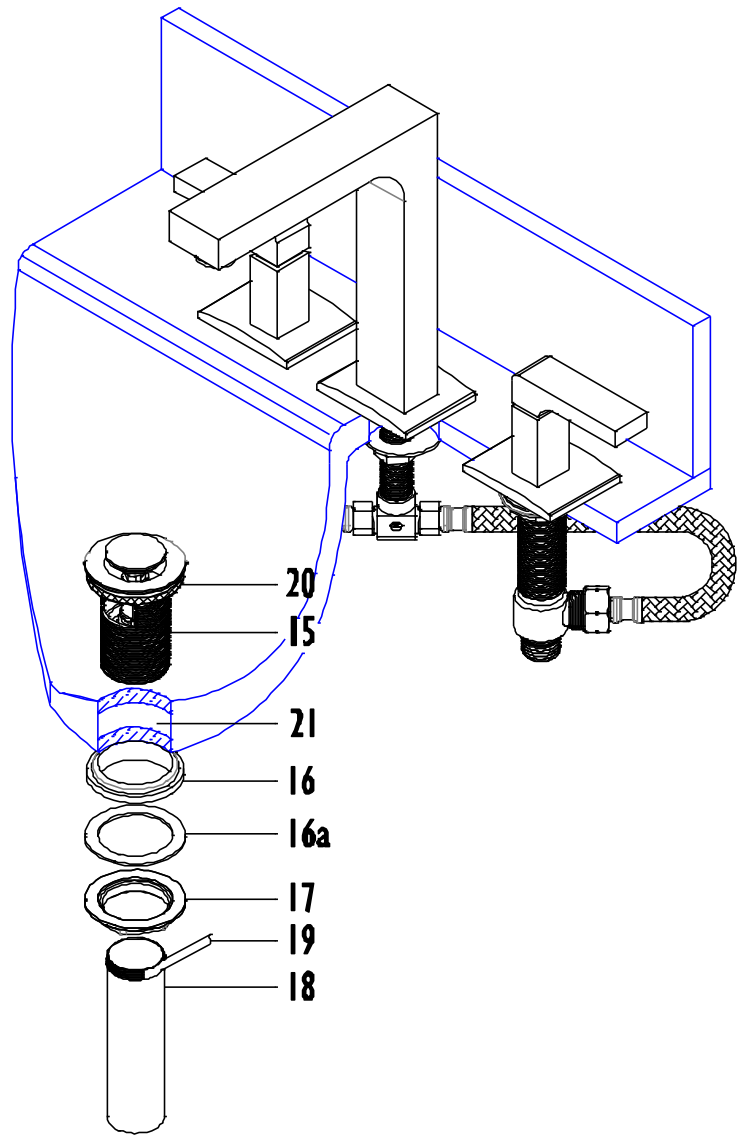
- Attach small hose NUT (14a) to spout TEE (7a)
- Attach large hose NUT (14b) to valve side OUTLET (10b)
- Repeat on other side valve



6

INSTALLING DRAIN

- Slide white foam WASHER (20) up under flange of BODY (15)
- or -
- Apply thin film of Silicon® sealant (or equivalent – DO NOT use petroleum-based sealant as this WILL void finish warranty) to underside of flange on BODY (15)
- Insert BODY (15) down through sink drain HOLE (21)
- From underside, slide MACH-WASHER (16) and FRICTION-WASHER (16a) up onto BODY (15)
- Secure BODY (15) into place with flange NUT (17)
- Apply Teflon® tape (19) (not supplied) to threaded portion of TAILPIECE (18) & tighten onto BODY (15)



7

INSTALLING SUPPLIES LINES

IMPORTANT: Prior to attachment, flush supply lines to remove debris that may cause damage or malfunction to valve cartridge.

The following are two styles of supply lines (not included) that may be installed to the valve bodies:

Ballnose riser for exposed application

- Install BALLNOSE RISER (22a) using valve NUT (10d) to secure riser to valve INLET (10c)

Flexible riser for non-exposed application

- Discard valve NUT (10d) & install FLEX RISER (22b) to valve INLET (10c)

Final connections

- Attach drain tailpiece to p-trap (not supplied)
- Turn on water supply valves & check for leaks

