



800-822-8855
5271 Argosy Ave.
Huntington Bch, CA 92649
californiafaucets.com

California Faucets®

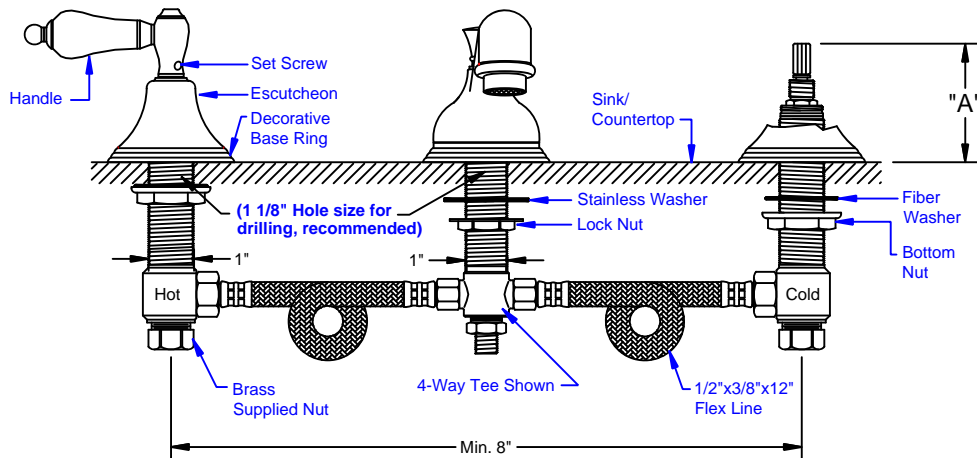
WIDESPREAD FAUCETS

**INSTALLATION
INSTRUCTIONS**

IMPORTANT

All *California Faucets*® products are engineered to provide quality performance provided they are installed and operated properly. To fully enjoy the comfort, safety, and reliability of your new Widespread Faucet, please follow the instructions below.

California Faucets reserves the right to make modification and specification changes at any time. Please visit californiafaucets.com for most current technical data.



"A" DIMENSION			
"A" Dimension is from sink/countertop to tip of stem broach			
Handle Series #	"A"	Handle Series #	"A"
32	2 5/16"	53	2 1/4"
33	2 5/16"	55	2 7/16"
34	2 5/16"	57	1 11/16"
35	2 5/16"	58	2 1/2"
36	2 5/16"	59	2 1/2"
38	2 1/2"	60	2 1/16"
40	2 7/16"	61	2 1/16"
42	2 7/16"	63	2 15/16"
45	2"	64	2 1/2"
46	2 5/16"	67	2 1/16"
47	2 5/16"	68	2 5/16"
50	2 1/8"	69	2 5/16"
51	2 1/2"		

Fig. 1

*****NOTE: SHUT OFF WATER SUPPLY BEFORE BEGINNING INSTALLATION*****

1 Install spout according to the type of tee it has:

For spout with 4-way tee:

- Remove the Tee, Flange Nut and Stainless Steel Washer.
- Insert the spout through center hole of the sink or countertop.
- Place Washer and Flange Nut onto Shank from below. Align spout and tighten Flange Nut until Spout is firmly in place.
- With O-Ring in place on end of Shank, slide Tee onto Shank.
- Place the Rubber Washer, Brass Washer and Nut onto Nipple and tighten.

◀OR▶

For spout with 3-way tee:

- Remove the tee, lock nut and notched washer.
- Insert the spout through center hole of the sink or countertop.
- Slip the notched washer over spout shank. Align notch for pop-up rod to pass through, then thread lock nut onto the spout shank. Align spout and tighten nut firmly.
- Place white washer into top of tee and screw assembly onto spout shank.
- Insert lift rod through top of spout

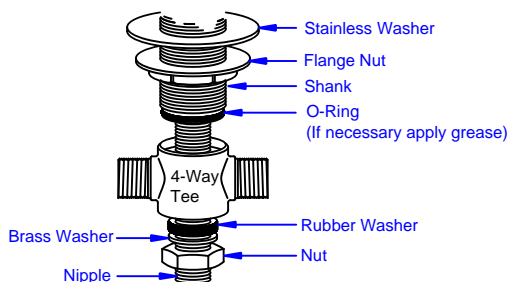


Fig. 2

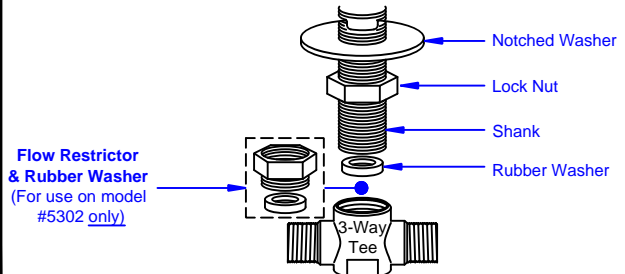


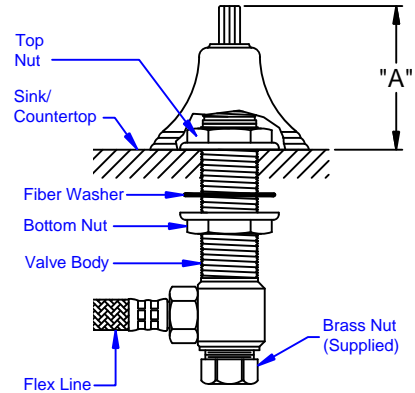
Fig. 3

NOTE: Due to sediment in the water it may be necessary on occasion to remove the aerator and clean the screen with a soft bristle toothbrush.

IMPORTANT CLEANING NOTICE
Please refer to *Finish Care Instructions* for complete cleaning information. Wipe frequently with a soft, damp cloth. **Never use acids, harsh abrasives or detergents.**

2**Install valve bodies:****NOTE:** Hot & cold valves are labeled: *cold=blue & hot=red.*

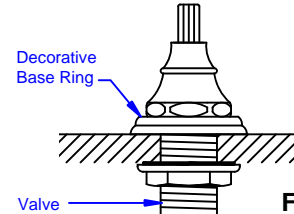
- Remove top nut and turn bottom nut with fiber washer down the valve until it stops.
 - Insert valve through hole from below and install top nut (if applicable), and adjust to proper height, see Fig. 4A (also refer to "A" dimension table on page 1).
 - Tighten the bottom nut to secure the valve.
 - Install trim parts (base ring if applicable), escutcheon and handle and tighten handle set screws with Allen key provided.
- REMINDER: Please retain allen key as handles may require re-tightening with normal use.**
- Attach flex lines to valve and spout tee. Hand-tighten. Then go 1/4 to 1/2 turn more with wrench (not supplied). Do not overtighten.

**Fig. 4A****Installation Note for series:**

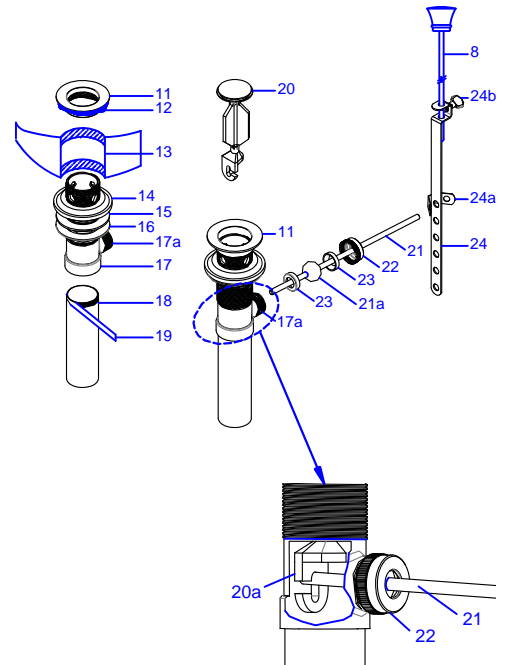
32, 33, 34, 35, 36, 43, 57, 60, 61, 67, 68 & 69.

The trim to those products do not require a top nut to be installed on the valve (See Fig. 4A)

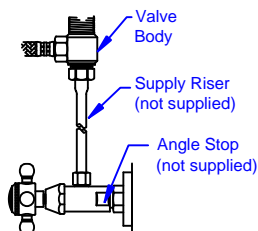
The decorative base ring and escutcheon takes the place of the top nut. (See Fig. 4B).

**Fig. 4B****3****Install pop-up assembly.**

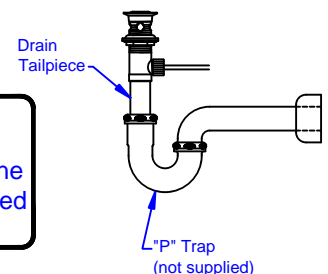
- Remove COLLAR (11) from pop-up assembly and apply silicone CAULK (12) (or equivalent) to underside of COLLAR (11)
- CAUTION:** Do not use any oil base sealant that may damage finish
- insert drain BODY (17) from underside through sink drain HOLE (13) & attach to COLLAR (11)
 - Align BALL ROD HOLE (17a) toward rear of sink and firmly tighten FLANGE NUT (16) against FRICTION WASHER (15), MACK WASHER (14) and sink drain HOLE (13)
 - Remove TAILPIECE (18) from drain BODY (17), apply thread SEALANT (19) to TAILPIECE (18) threads and tighten into drain BODY (17)
 - Insert STOPPER (20) into COLLAR (11) & rotate off-set HOOK (20a) to front of sink to accept BALL ROD (21)
 - Remove spring CLIP (24a) from BALL ROD (21)
 - Place CONE WASHERS (23) on both sides of ball rod BALL (21a) with NUT (22) to backside
 - Insert BALL ROD (21) into body BALL ROD HOLE (17a) and through off-set HOOK (20a)
 - Tighten NUT (22), but allow BALL ROD (21) to freely move up & down
 - Place STRAP (24) onto LIFT ROD (8) and tighten THUMB-SCREW (24b)
 - Place one end of CLIP (24) onto BALL ROD (21), then STRAP (24), gently squeeze CLIP (24a) and slide other end of CLIP (24a) onto BALL ROD (21)
 - Check proper operation of STOPPER (20) and adjust by sliding STRAP (24) on LIFT ROD (8) as necessary

**4****Connect faucet to water supply:****IMPORTANT:** Flush supply lines of all debris prior to connecting to lavatory valve bodies. Debris remaining in the line will damage valve bodies and cause leaking. Failure to flush the lines could result in voiding the warranty.

- Connect supply risers from the angle stops.

**5****Install "P" trap:**

-Connect your waste "P" trap to the drain tailpiece.



NOTE:
P-trap, angle stops, and supply risers are not supplied. We recommend genuine Cal-Trim parts available at your authorized California Faucets dealer.



ZeroDrain™

California Faucets®

9050Z, 9050ZF, 9050ZB & 9050ZBF

Pop-Down Lavatory Drain

Installation Instructions

(includes installation of 9050Z-TSS & 9050Z-EXT)

CALIFORNIA FAUCETS RECOMMENDS THAT ALL PLUMBING PRODUCTS BE INSTALLED BY A LICENSED PROFESSIONAL

IMPORTANT: Read all instructions prior to installation and provide copy of instructions to consumer.

For use on sinks with or without overflow

1 INSTALLING DRAIN ON SINK

- Sink HOLE (4) shall be $\varnothing 1-5/8''$ min with downward draft to accept underside radius on F LANGE (2)
- Remove STOPPER (1), TAILPIECE (9), WASHER (8) & NUT (10) from ZeroDrain assembly for later use
- Apply thin film of silicon SEALANT (3) (or equivalent – DO NOT use petroleum-based sealant as this WILL void finish warranty) to underside of FLANGE (2)
- Insert FLANGE (2) though sink HOLE (4)
- FOR THICK SINK: Place GASKET (5) onto top of BODY (6)
- FOR THIN SINK: Use 9050Z-TSS (sold separately); Place GASKET (5), SPACER (7), with smaller diameter down as shown, and second GASKET (5) onto top of BODY (6)
- From underside, attach BODY (6) onto FLANGE (2) and firmly secure to lower side of sink to seal GASKET(s) (5)

2 INSTALLING TAILPIECE

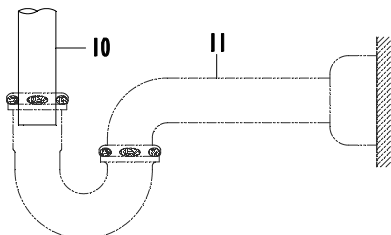
- Place NUT (10) and WASHER (8) onto TAILPIECE (9) and secure onto BODY (6)

3 INSTALLING STOPPER

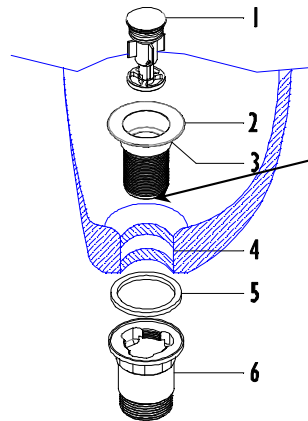
- Insert STOPPER (1) into FLANGE (2)

4 ATTACHING TO P-TRAP

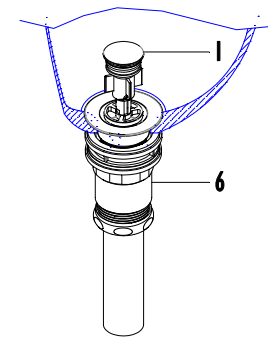
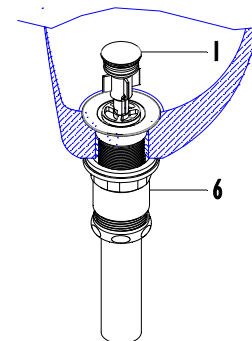
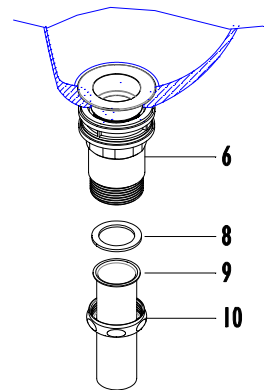
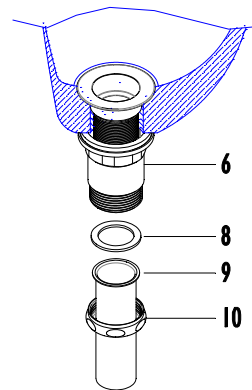
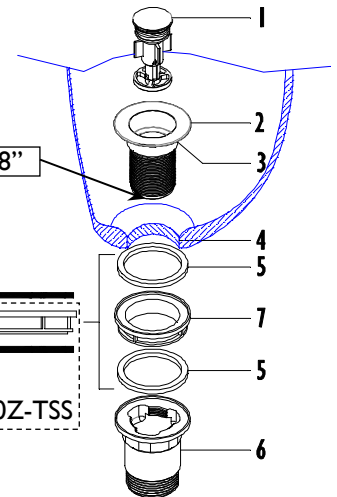
- Slide TAILPIECE (10) into P-TRAP (11), not supplied, and secure p-trap nut for water tight seal



Thick Sink Applications



Thin Sink Applications

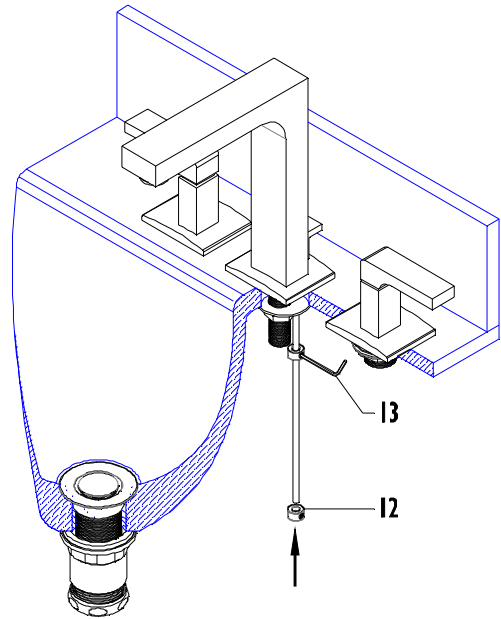


5 INSTALLING LIFT ROD RETAINER (LR-RET)

IMPORTANT: For faucets with a lift knob and rod the usage of retainer, LR-RET (sold separately or supplied with complete faucet set), may be used to allow knob to remain as a decorative (non-operating) element on faucet

- From underneath, slide RETAINER (12) onto lift rod and secure in place with hex KEY (13)

NOTE: In some cases it may be best to remove lift rod and knob from faucet, and install RETAINER (12) onto lift rod at desired location and slide lift rod up from bottom and tighten into knob



6 INSTALLING EXTENSION (9050Z-EXT)

IMPORTANT: For thick sink/deck applications, an extension kit 9050Z-EXT (sold separately) may be necessary.

- Attach EXTENSION (14) onto FLANGE (2)
- Apply thin film of silicon SEALANT (3) (or equivalent – DO NOT use petroleum-based sealant as this WILL void finish warranty) to underside of FLANGE (2)
- Insert FLANGE (2) though sink/deck HOLE (4/4a)
- From underside, place GASKET (5) onto top of BODY (6) and secure onto EXTENSION (14)

NOTE: In some cases depending on total sink/deck thickness and location of non-threaded section on extension COLLAR (14a), it may be necessary to use supplied SPACER (7) and second GASKET (5) to secure the BODY (6) to underside of sink/deck.

- From underside, place GASKET (5), SPACER (7), with smaller diameter down as shown, and second GASKET (5) onto top of BODY (6) and secure onto EXTENSION (14)
- See **2** INSTALLING TAILPIECE
- See **3** INSTALLING STOPPER
- See **4** ATTACHING TO P-TRAP

IMPORTANT: When installing ZeroDrain onto sink with overflow that rests on top of a countertop, it is necessary to create a watertight seal between the bottom of the sink and top surface of the counter. If the counter is made from water absorbing material (e.g. wood) and a sink with overflow is used the lower GASKET (5) and BODY (6) **MUST** seal against the bottom of the sink

