

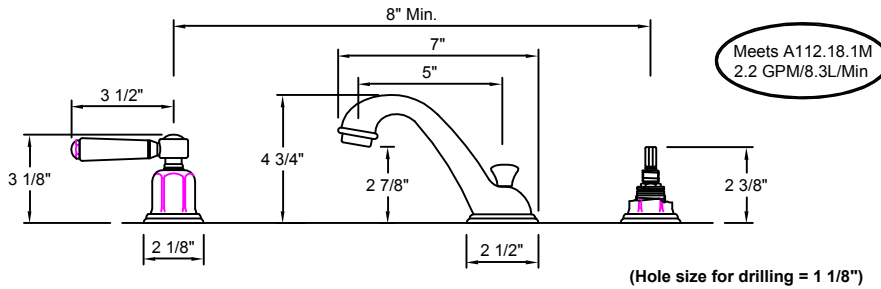
# 35 Series Specifications

## "BELMONT"



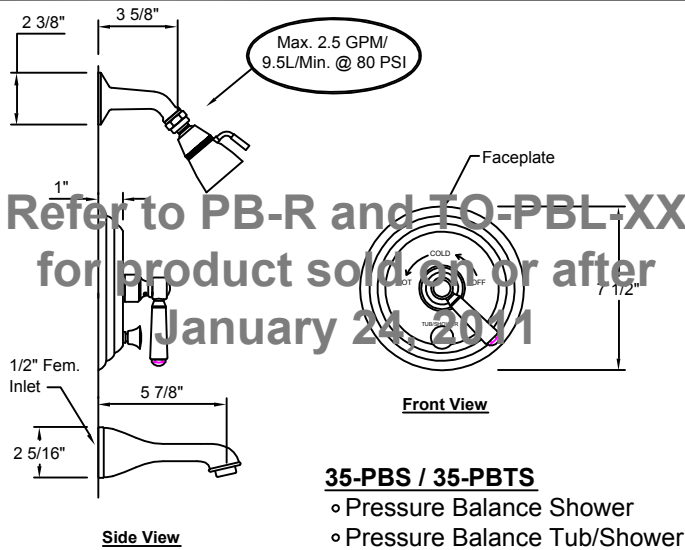
All California Faucets lever and blade handle products are American Disability Act (ADA) compliant.

California Faucets reserves the right to make modification and specification changes at any time. Please verify dimensions prior to installation. Visit [www.calfaucets.com](http://www.calfaucets.com) for most current technical data.



(Hole size for drilling = 1 1/8")

**3502**  
 ◦ Widespread



Refer to PB-R and TO-PBL-XX for product sold on or after January 24, 2011

