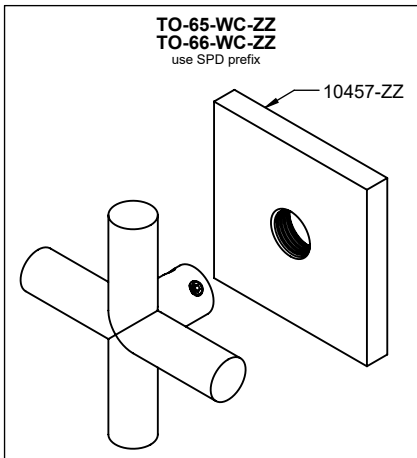
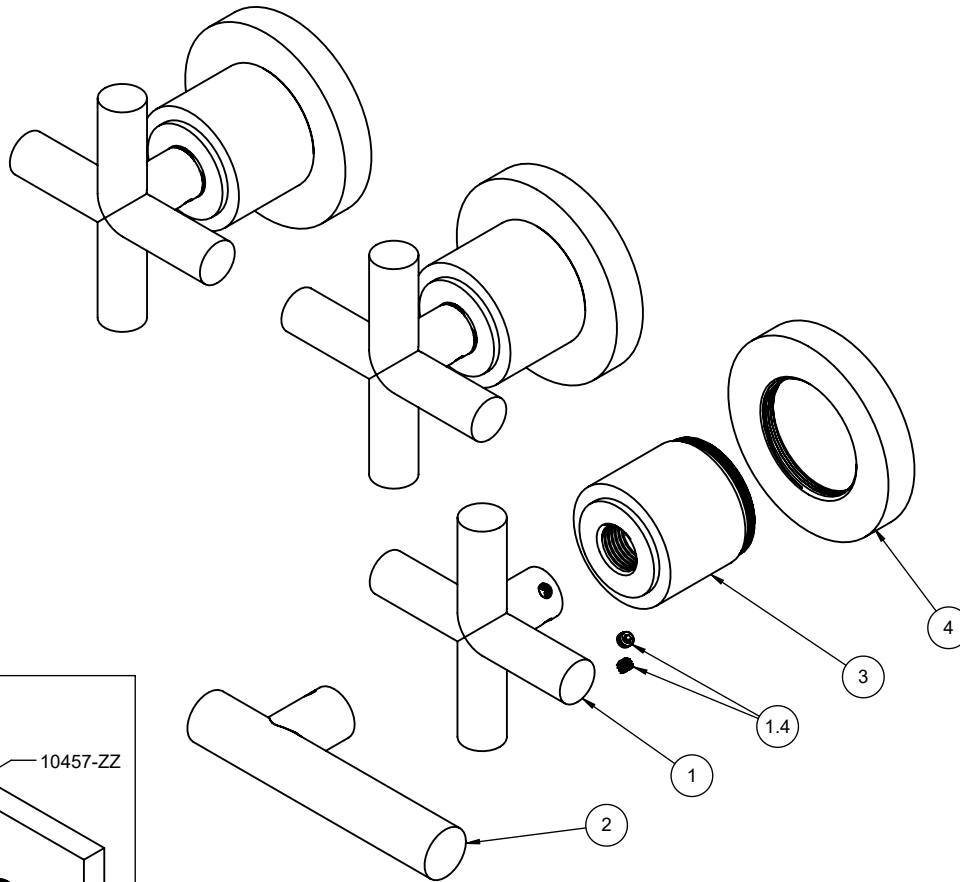


TO-65-W
 TO-66-W
 TO-65-WC
 TO-66-WC
 TO-6506L
 TO-6606L
 TO-6503L
 TO-6603L



To order spare parts add and/or replace as stated below:

SPD- prefix added to part number(s)
-ZZ replaced with finish code (see finish table)
-WW replaced with **-90** (light finish) or **-96** (dark finish)

Ex: **SPD-7-100463-PC** or **SPD-86030-96**

	ITEM	PART NO.	DESCRIPTION	QTY
for 65 Series	1	7-653143-ZZ	KIT, CTEMP CROSS HDL, 65 SERIES (incl. 1.4)	3
	1.4	86030-WW	SETSCREW 8-32 X 1/8 SCKT HD CUP PT SS	2
for 66 Series	2	7-663144-ZZ	KIT, CTEMP LEV HDL, 66 SERIES (incl. 1.4)	3
	3	652120-ZZ	ESCUTCHEON, 65 & 66 SERIES	3
	4	652119-ZZ	RING, ESC/LAV/RT, 65 & 66 SERIES, SMOOTH	3
for ITEM 1.4	5	882042-99	KEY, ALLEN, 5/64", BLACK	1