



Tel: 714-891-7797
Fax: 714-891-2478
Toll Free: 800-822-8855
www.calfaucets.com

BALBOA 15 SERIES

"1506-D"



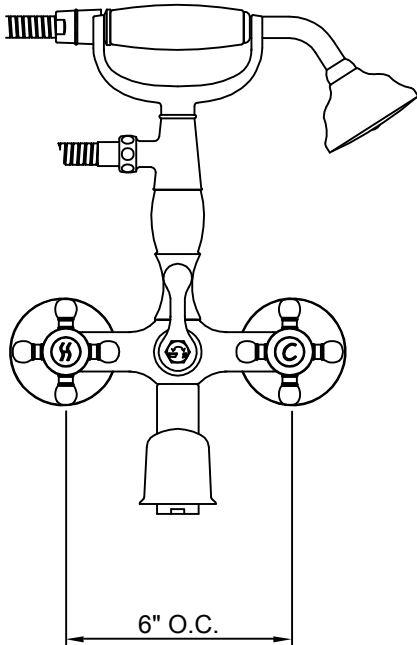
All California Faucets lever and blade handle products are American Disability Act (ADA) compliant.

California Faucets reserves the right to make modification and specification changes at any time. Please verify dimensions prior to installation. Visit www.calfaucets.com for most current technical data.

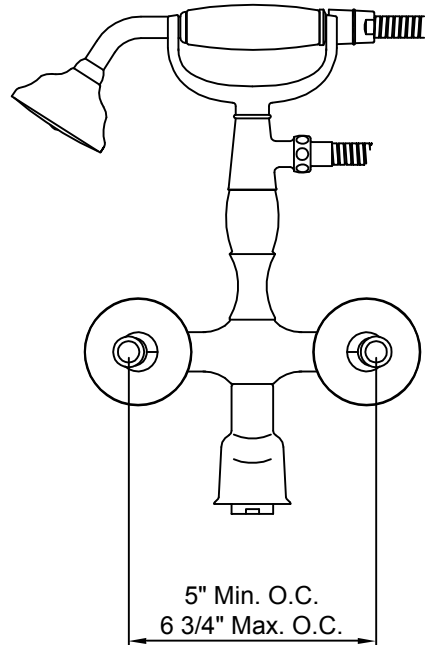
Rev. 11/07/05

Flow rate = 10 GPM @ 60 PSI

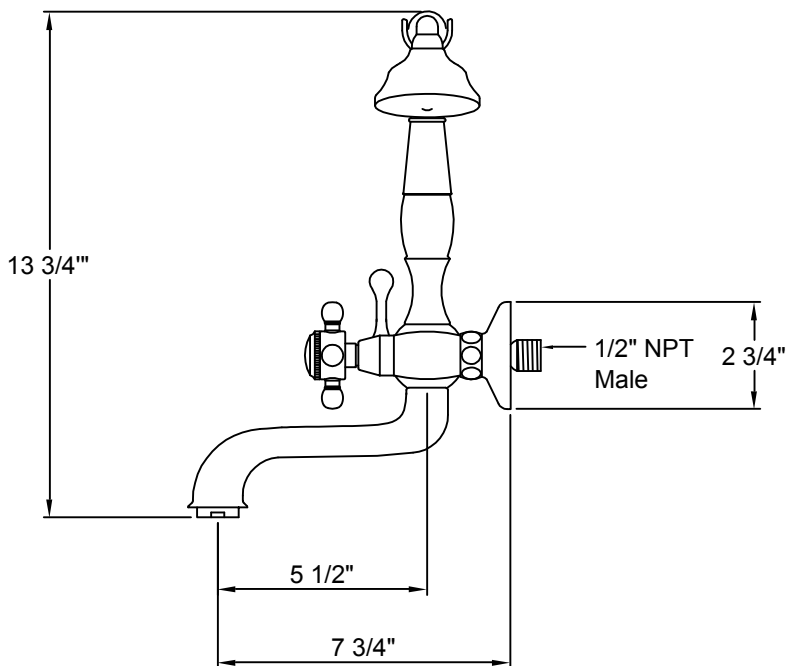
Front View



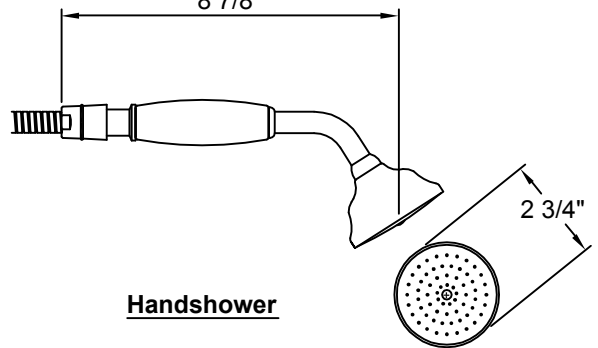
Rear View



Side View



8 7/8"



Handshower