



California Faucets®

Tel: 714-891-7797
Fax: 714-891-2478
Toll Free: 800-822-8855
www.calfaucets.com

3/4" IN-WALL STOP VALVE

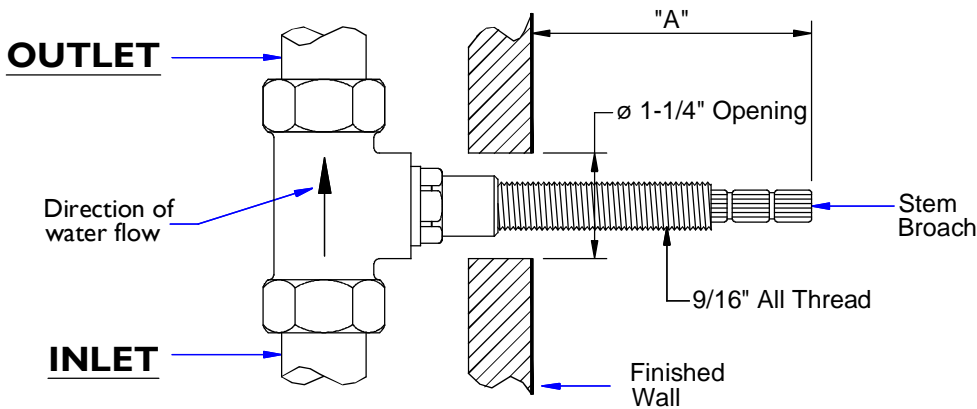
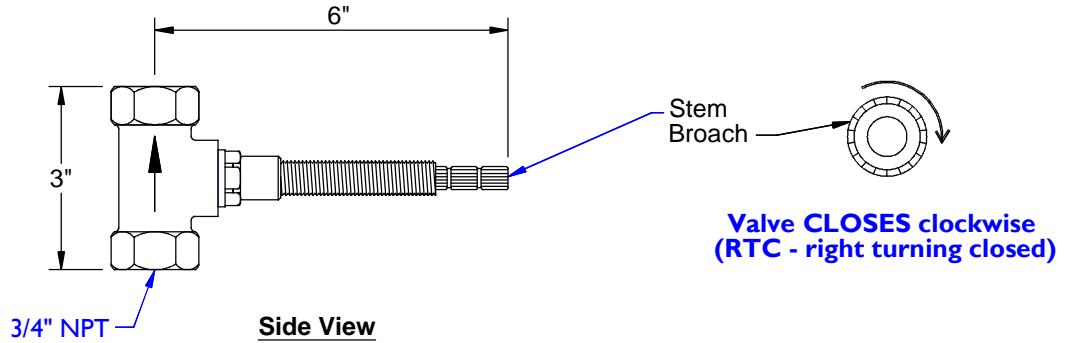
75-W-R

**INSTALLATION
INSTRUCTIONS**

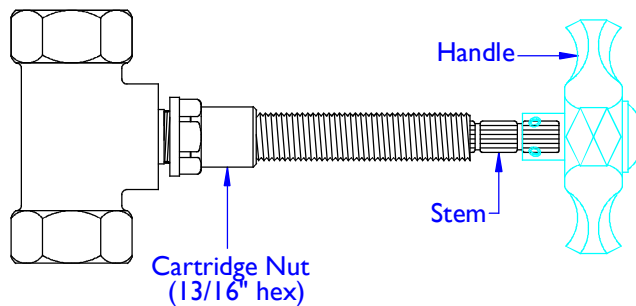
IMPORTANT

All California Faucets® products are engineered to provide quality performance provided they are installed and operated properly. To fully enjoy the comfort, safety, and reliability of your new In-Wall Stop Valve, please install per specifications below.

California Faucets reserves the right to make modification and specification changes at any time. Please visit www.calfaucets.com for most current technical data.



NOTE: Valve must be installed according to direction of flow



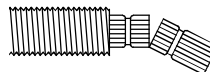
DIMENSION

"A" Dimension is from finished wall to tip of stem broach

HANDLE SERIES NO.	"A"
33	2-3/8"
34	2-3/8"
35	2-3/8"
36	2-3/8"
38	2-5/8"
40	2-5/8"
42	2-5/8"
44	2-7/16"
46	2-1/2"
47	2-1/2"
48	2-5/16"
50	2-1/4"
51	2-1/2"
53	2-1/4"
55	2-5/8"
57	2"
59	2-5/8"
60	2-1/4"
62	1-7/16"
63	3"
64	2-5/8"
65	2-1/8"
66	2-1/8"
67	2-1/4"
68	2-3/8"
69	2-3/8"
70	1-3/8"
71	1"
72	1"
73	1"

NOTE: In some cases, it may be necessary to re-align cartridge Stem to achieve desired handle alignment. To align stem, slightly loosen in a CCW direction the Cartridge Nut. Place Handle on Stem and **TIGHTEN** in a CW direction until desired alignment of handle is achieved. Retighten Cartridge Nut to factory torque setting of 14 ft-lbs. (Cartridge Nut size is 13/16" hex)

WARNING: Cartridge Nut **MUST** be properly torqued to prevent possible failure and/or water damage.



NOTE: When fitting handle it may be necessary to shorten broach stem and/or all thread to eliminate gaps between handle & escutcheon.

50-W-R or 75-W-R WATER FLOW

How to determine proper installation, water flow direction, of installed in-wall shut-off/volume control valve(s).

WARNING: Prior to removing ceramic disc cartridge from valve body all water supplies to the valve(s) must be turned off. There can be NO water flow to the valve(s).

Photo 1 – shows arrow on side of valve to indicate proper water flow direction.

This shows how water MUST be plumbed to valve body inlet and outlet ports. If this water flow direction is NOT followed the valve MUST be reinstalled.



Photo 2 – shows the cartridge cavity for incoming and outgoing waterways.

Two (2) arrows show where water ENTERS cavity

One (1) arrow shows water EXITS cavity

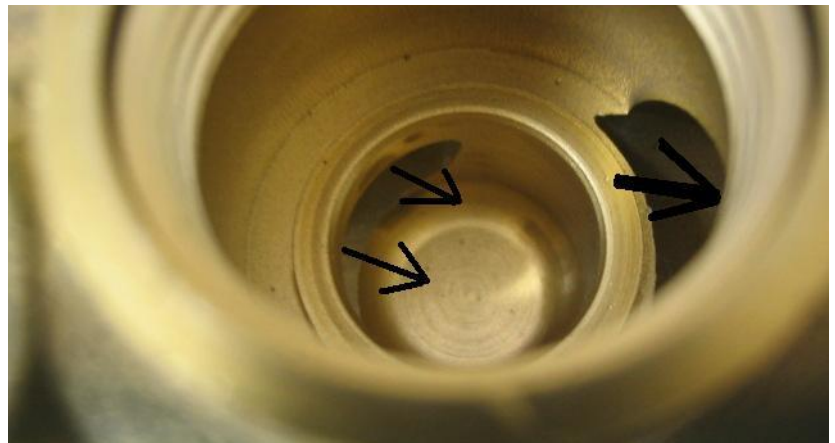


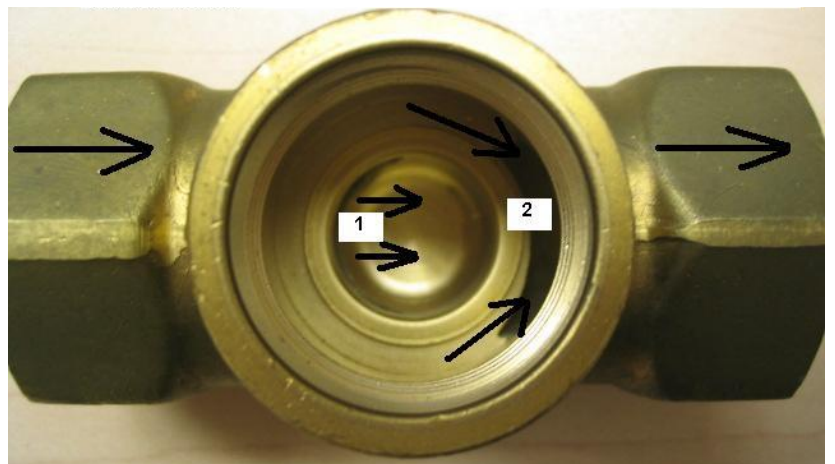
Photo 3 – shows top view of valve body indicating water flow direction as related to body's ports and passage ways.

Inlet port is on left side of valve (as pictured) and connected to incoming water supply (e.g. therm valve)

Water enters at bottom portion of valve (1) cavity

Water exits at upper portion of valve (2) cavity

Outlet port is on right side of valve (as pictured) is connected to output device (e.g. showerhead)



If the water flow is not correctly followed as described above, numerous problems can and will occur. The cartridge disc's will fail which may cause flooding and damage to residence. The possibility of failure increase the longer the valve is installed. Initial operation may function as intended, but as valve experiences numerous on/off cycles the water pressure will cause ceramic discs to separate, disengage from cartridge stem and/or crack. This failure is due to improper installation and IS NOT covered under warranty. It is the responsibility of the installer to properly install and verify all functions of valve(s) at the time of installation.