



## Wall Mounted Built-in Lavatory mixer

Rohl Modern Collection

**BA351X\*** (Cross Handles)

**BA351L\*** (Lever Handles)

### FEATURES

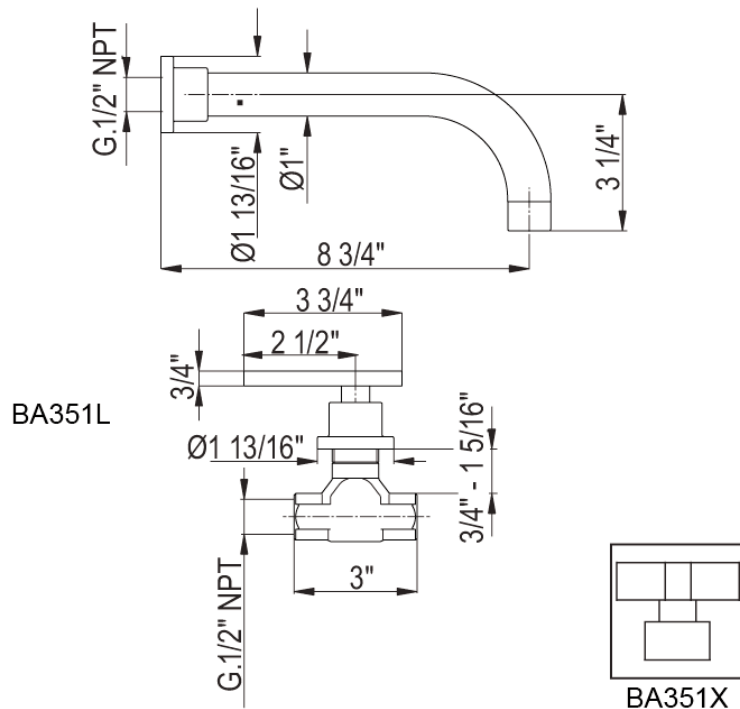
- Three hole wall mounted lav valves and spout
- No pop-up
- 3 x 1 3/8" hole cutouts
- 8 3/4" spout reach
- 2 x 1/4-turn ceramic disc valves
- Fixed spout
- Valve and spout made from solid brass
- Min. install depth: 3/4"
- Max. install depth: 1 3/8"
- Please note: assembly requires special fitting included with spout
- 1.5 GPM

### COLORS/FINISHES

- Polished Chrome
- Polished Nickel
- Satin Nickel

### WARRANTY

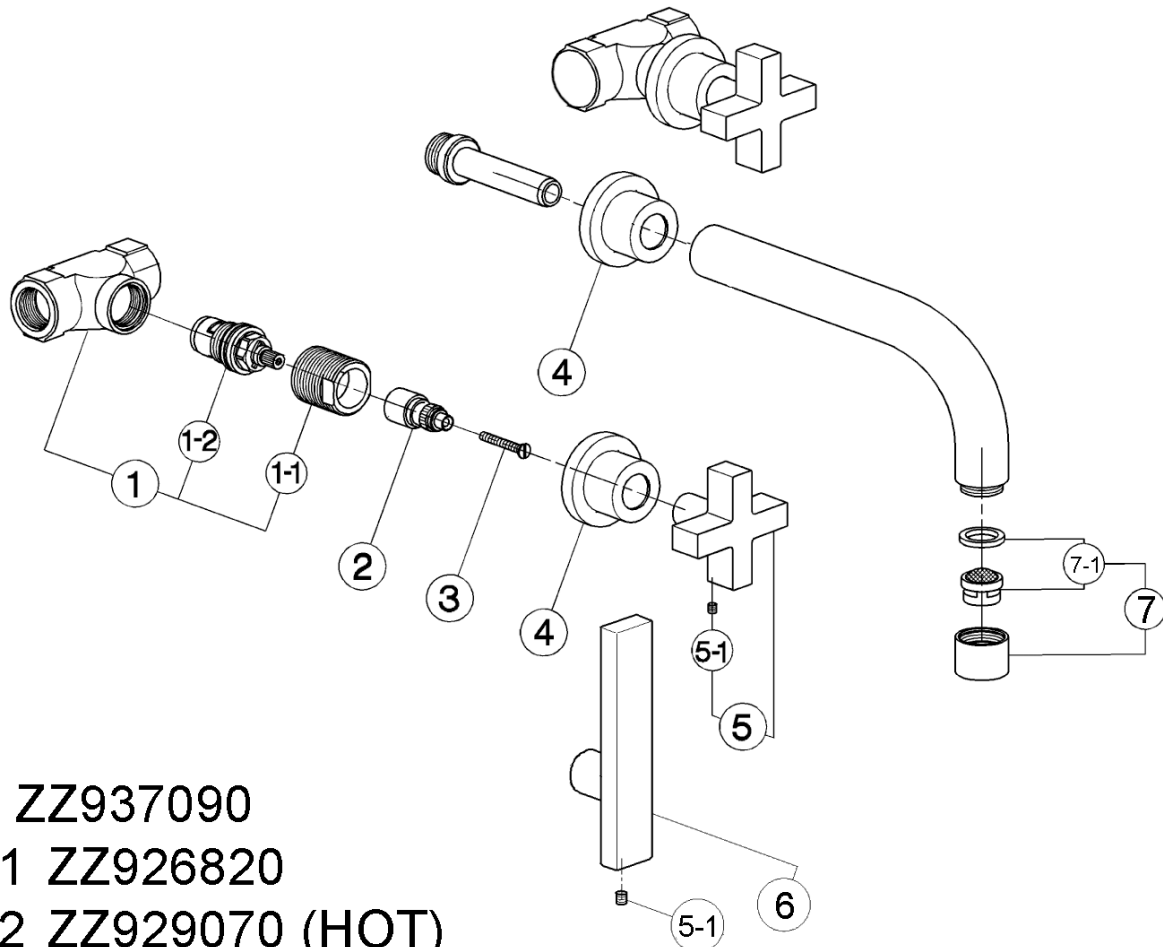
- Limited lifetime



\* For CA/VT, place a "-2" at end of model number for code compliant product. (Example A3608LMAPC-2)

Consult your local ROHL showroom for additional information and specifications. For complete warranty details and a list of showrooms, go to [www.rohlhome.com](http://www.rohlhome.com).

## BA351 Spare Parts



- 1 ZZ937090
- 1-1 ZZ926820
- 1-2 ZZ929070 (HOT)  
ZZ929060 (COLD)
- 2 ZZ933320
- 3 ZZ933340
- 4 ZZ933330
- 5 ZZ937080
- 5-1 ZZ933280
- 6 ZZ942630
- 7 ZZ943610
- 7-1 ZZ503240