



VINCENT 4-HOLE DECK MOUNT FILLER WITH HANDSHOWER

Vincent (Transitional Bath)

A1004LV

FEATURES

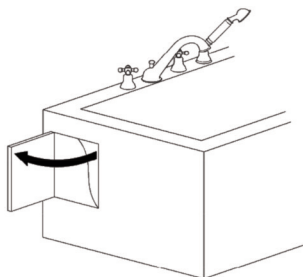
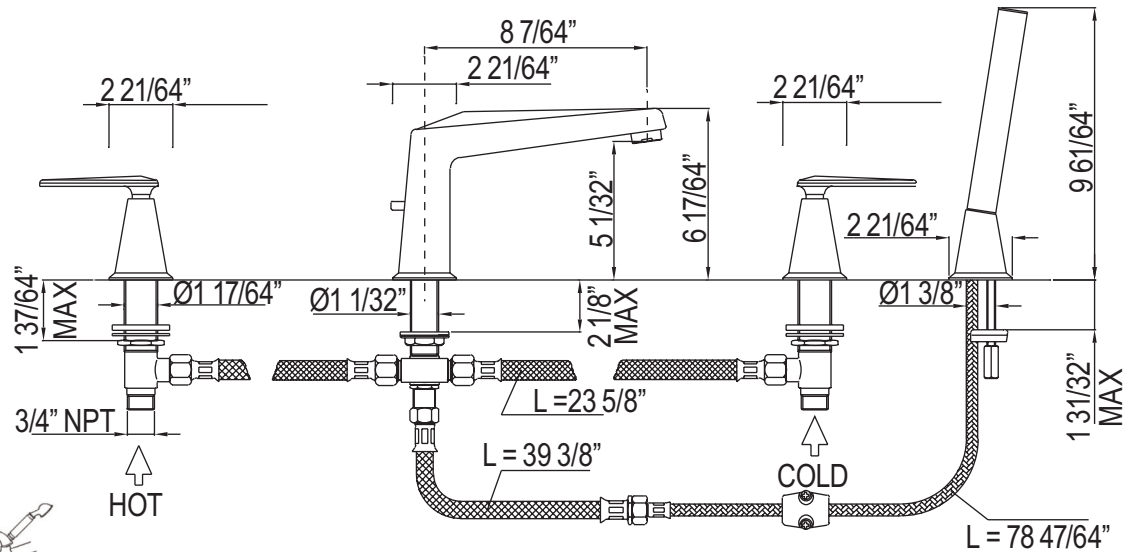
- Metal levers
- Fixed spout
- 1/4-turn ceramic valves
- Single-function brass handshower
- 6 1/2' hose
- Matching lav set A1008LV
- 15-17 GPM at 45PSI
- 3/4" NPT connectors

COLORS/FINISHES

- Polished Chrome
- Polished Nickel
- Satin Nickel

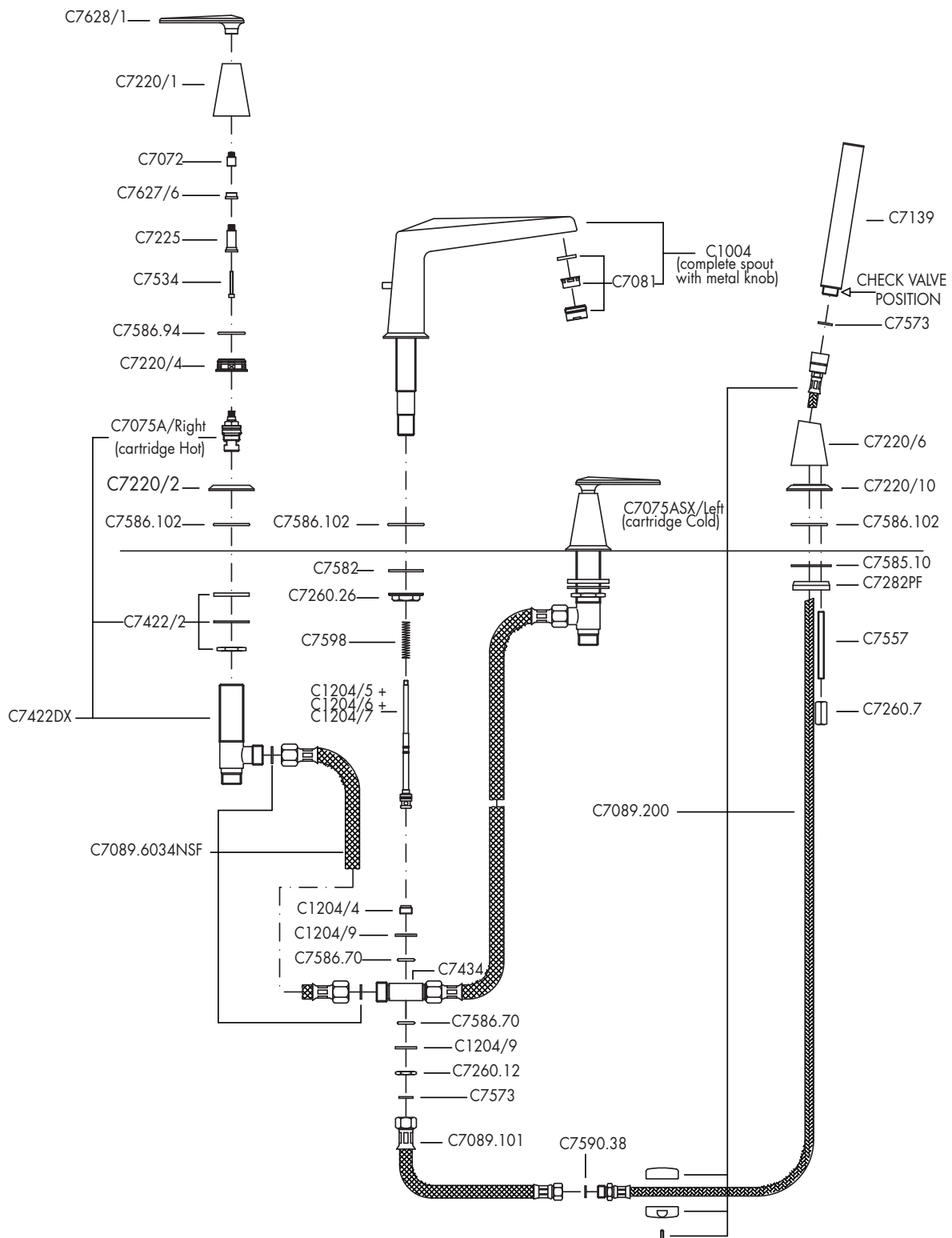
WARRANTY

- Limited Lifetime*



Installation note
 For servicing after installation, install a service door near the valves
 The Diverter can only be serviced below the deck

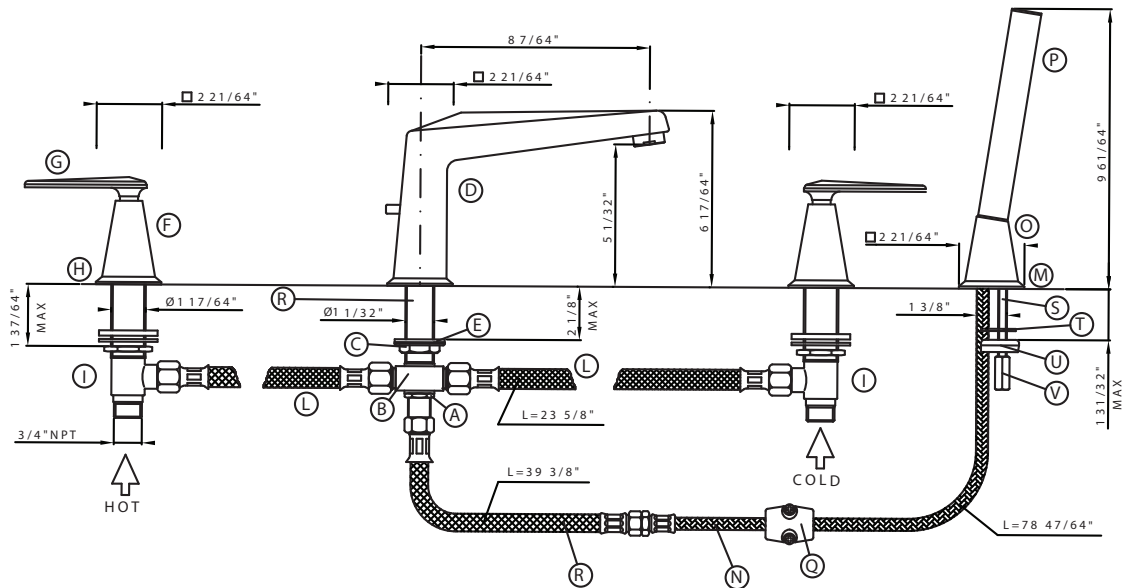
A1463 Spare Parts



Consult your local ROHL showroom for additional information and specifications. For complete warranty details and a list of showrooms, go to www.rohlhome.com.

Installation Instructions

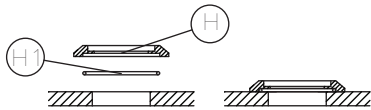
Bath mixer on edge type with 4 holes
Art. A1004LV--



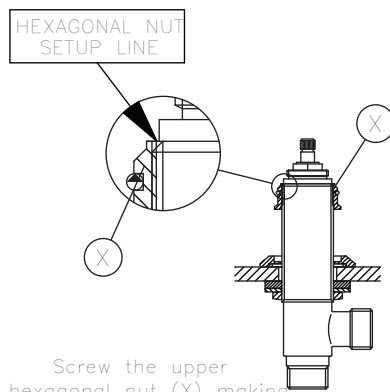
INSTALLATION MUST COMPLY WITH LOCAL PLUMBING CODES	
a - Preparation	<p>Flush out the pipework to remove any foreign matter.</p> <p>The hot supply should be on the left when viewed from the front of the fitting.</p>
b - Assembly	<ul style="list-style-type: none"> - Disassemble the nut (A), the two holes cross (B) and the fixing kit (C). - Introduce the spout body (D) in the hole of the deck and fix it, placing the rubber washer (E), between the base of the shank and the deck. - Fix the shank (R) placing, before the washer and then the metal nut with disk.
<p>ATTENTION</p> <p>This spout has not the easy quick connection system (you have to install the spout and the shank together because it is not possible to remove the shank from the spout)</p>	

Installation Instructions

– Assemble the valve body (I) and the handle set (G) following the instructions below :

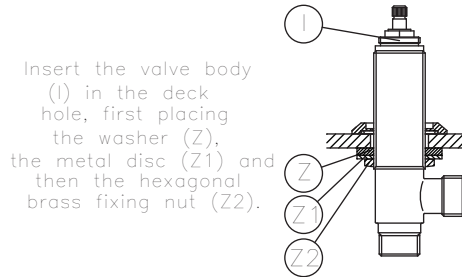


Place O-Ring (H1) and square disc (H) on the desk.

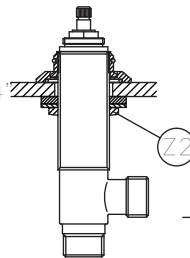


Screw the upper hexagonal nut (X) making sure to place it at the end of the body's thread (HEXAGONAL NUT SETUP LINE).

Alternative possible assembling is:
Mark the side valve between 1 5/8" and 1 3/4" from the top of the stem with marker.
Spin the upper deck nut down to the mark.



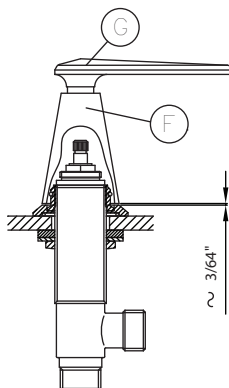
Insert the valve body (I) in the deck hole, first placing the washer (Z), the metal disc (Z1) and then the hexagonal brass fixing nut (Z2).



Place (H) the square disc in the right position before screwing the underside hexagonal brass fixing nut (Z2).

A T T E N T I O N
Maximum fixing nut torque value = 10 lbf.ft.

Tighten the trim cap (F) and square disc (H) snugly so cap (F) is in proper alignment with square disc (H) on the deck. Tighten hexagonal brass fixing nut (Z2) under the deck the secure the valve body (I) into the final assembled position. This final adjustment may take a few attempts for the installer to achieve the proper alignment and height of all components depending on the thickness of the deck.



Assemble the handle set (G) screwing the cap (F), placing it in the correct position.

A T T E N T I O N
be sure that the handle has no play.
Please verify the distance (3/64").
The square disc (H) and the cap (F) must not be in contact.

Installation Instructions

- Repeat this procedure for the cold valve.
- Connect the hot and cold valve body (I) to the two holes cross (B) using the flexible hoses (L) and placing the washer between the two parts.
- Assemble the threaded pivot (S) to the shower holder (O)
- Introduce the shower holder (O) in the hole of the deck, placing before the square disc (M) and then the O-Ring.
- Fix the shower holder (O) placing, before the shaped rubber washer (T) and then the half-moon plate (U) and the lengthen nut (V).
- Connect the hand shower (P) to the nylon flex hose (N), placing the washer between the two parts.
- Introduce the other end of hose (N) in the shower holder (O).
- Connect the nylon flex hose (N) to the stainless steel hose (R), placing the washer between the two parts.
- Connect the stainless steel hose (R) to the spout (D) with the hexagonal nut, placing the washer between the two parts.
- Assemble counterweight (Q) at the nylon flex hose (N).
- Connect hot and cold water supplies to side valve inlet.
- Ensure all connections are firmly tightened.

c - Before use

Turn on the Hot and Cold supplies to the faucet.

Maximum temperature for Hot water supply to the faucet is 145° F.

Minimum recommended pressure is 15 psi - Maximum recommended pressure is 75 psi.

Check the installation carefully for leaks.

If further building work is to be carried out in the vici of the faucet, it should be covered to prevent paint, adhesive, etc. from damaging the surface.

Care and use for finishes

Country Bath Products are all authentic finishes that have not been coated with any product.

After each use, pat the fixture down to remove any excess water. This will prevent any water spotting or mineral build-up. Use only soft liquid soap and water to clean the surface. Use a soft brush to clean any gaps. Avoid any products that have ammonia or alcohol like Windex, 409 or Fantastik. These products can damage the finish leaving black or white spots. Never use an abrasive product like Softscrub, Comet, Ajax or Bon Ami.

For deep polishing we recommend Bruno's Wax for all finishings.

Tuscan Brass is a living finish and has no warranty. It will lighten with use. To extend the life of the finish, apply Bruno's Wax by patting it on, letting it dry and patting it off. Never rub or buff this finish.

WARNING: the use of cleaning products not recommended might irreparably harm the surfaces of the faucets which in such case are not covered by our warranty.

Limescale

The faucet is fitted with an aeration device in the Hot/Cold water outlet.

This may need occasional cleaning especially in hard water areas.

This is accomplished by unscrewing the outlet in a counter clockwise direction, dismantling and leaving the inner screen mesh immersed over night in vinegar or lemon juice.

Do not use chemical descaling liquids for this purpose.

ATTENTION

READ THESE INSTRUCTIONS BEFORE INSTALLATION AND USE OF ALL FAUCETS AND WALL VALVES

INSTALLATION and WARRANTY INSTRUCTIONS TECHNICAL INFORMATION

All flexible hoses are designed and manufactured for use with water in exposed locations only. **Do not expose** to household cleaners, chlorine, chloride, hydrochloric acid or other corrosive chemicals.

- All connections with threads M10x1 male must be hand tighten. **Do not over tighten. Over tightening may cause damage to the hose.**

All faucets washers and o-rings are designed and manufactured for use with water. **Do not expose** to household cleaners, chlorine, chloride, hydrochloric acid or other corrosive chemicals.

Faucets are designed for use with the temperatures and pressures listed below:

- minimum cold water supply 50 °F
- maximum hot water supply 145 °F
- minimum pressure 15 psi
- maximum pressure 75 psi
- maximum fixing torque value = 10 lbf.ft.
-

Please note: The recommended best pressure for best performance is between 40 psi and 60 psi. More pressure than 60 psi or less pressure than 40 psi may affect the diverting action in side spray faucets.

- Do not use any Rohl Country/ Nicolazzi faucet with sulphurous water.
- The minimum temperature for all faucets is 50 degrees F. Below 50 degrees F will void the warranty.
- When available, filter systems must be placed between hot and cold supply lines and the faucet. Improper use or non-use of filters may make diverting faucets with hand sprays perform poorly.
- Don't modify faucet and their components
- Use only original spare parts if there are replacements to be ordered.
- Installation must be made by authorized plumbers or installers. Improper installation or diagnosis of problems is not covered by the warranty.
- Yearly maintenance of cleaning and flushing is recommended.

Operation and use of any faucet or wall valve that do not conform to these technical instructions will void the warranty.