

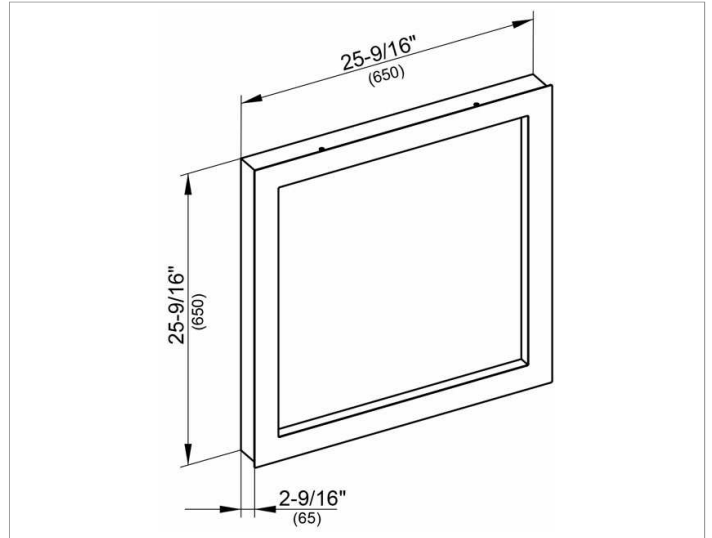
Edition 300

30096012050 Light mirror

PRODUCT



DRAWING



PRODUCT ATTRIBUTES

with stainless steel metal frame, polished chrome illuminated on all four sides
 fluorescent light tube 2 x 14 watt T5 (vertical)
 fluorescent light tube 2 x 14 watt T5 (horizontal)
 with ON/OFF switch

SURFACE

chrome-plated

SPECIFICATIONS

KEUCO Edition 300 Light mirror 30096012050
 High quality Light mirror in elegant design

with stainless steel metal frame, polished chrome illuminated on all four sides
 fluorescent light tube 2 x 14 watt T5 (vertical)
 fluorescent light tube 2 x 14 watt T5 (horizontal)
 with ON/OFF switch

25-9/16" x 25-9/16" x 2-9/16"

chrome-plated

Warranty: KEUCO products are covered by a 5-year manufacturer's warranty, in effect from the date of purchase. During this time, proven product defects will be remedied free of charge. Warranty claims must be filed in writing, including a detailed description of the defect immediately after a defect has occurred. For a copy of our detailed product warranty policy, please contact us at office-usa@keuco.com.

Installation: KEUCO products must be installed by a qualified professional in accordance with the respective installation guidelines and any applicable federal / local building codes and regulations.