

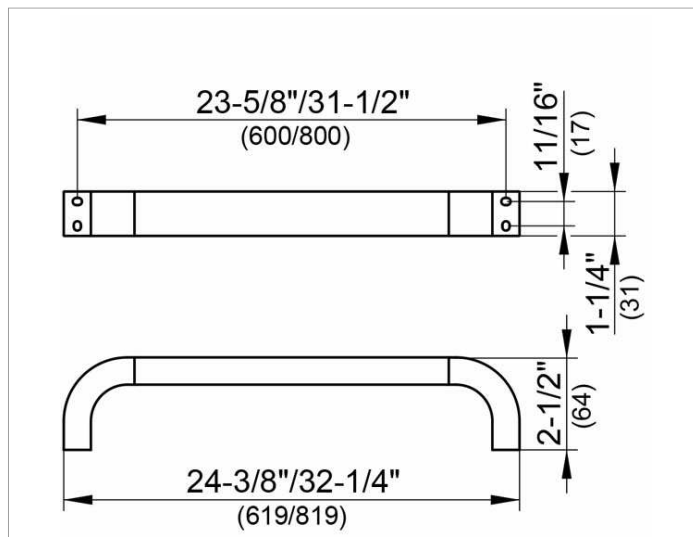
Edition 300

30001010600 Towel rail

PRODUCT



DRAWING



SURFACE

chrome-plated

DIMENSION

23,62 "

SPECIFICATIONS

KEUCO EDITION 300 towel rail 30001010600
chrome-plated towel rail, in an aesthetic and classic design
load bearing up to 55 lb, anti static, easy to clean
Centre to centre 23-5/8" with overall width of 24-3/8"

depth 2-1/2"
The towel rail is fitted with 4 hidden fixing points
2 wall plugs, Fischer FU 1/4" x 1-3/4" and 2 wall screws are supplied

Warranty: KEUCO products are covered by a 5-year manufacturer's warranty, in effect from the date of purchase. During this time, proven product defects will be remedied free of charge. Warranty claims must be filed in writing, including a detailed description of the defect immediately after a defect has occurred. For a copy of our detailed product warranty policy, please contact us at office-usa@keuco.com.

Installation: KEUCO products must be installed by a qualified professional in accordance with the respective installation guidelines and any applicable federal / local building codes and regulations.