

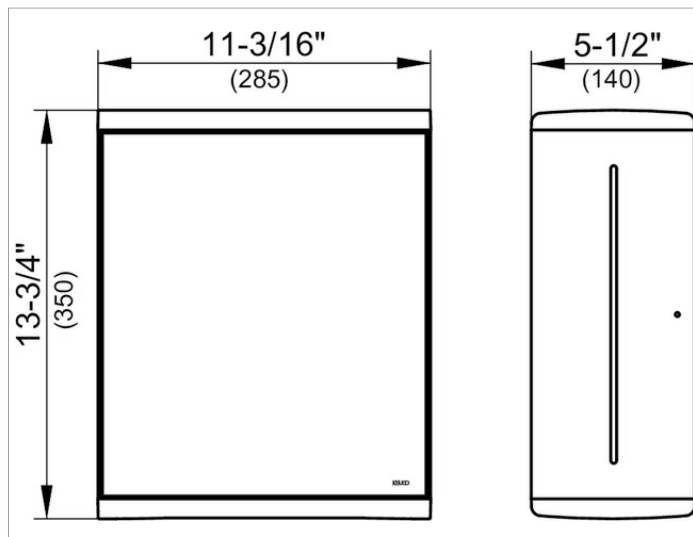
**Collection Moll**

**12785010200 Paper towel dispenser**

**PRODUCT**



**DRAWING**



**PRODUCT ATTRIBUTES**

with mirror door

**SURFACE**

aluminium silver anodized (E6 EV1)/white (RAL 9003)

**SPECIFICATIONS**

KEUCO COLLECTION MOLL paper towel dispenser 12785010200  
 Paper towel dispenser aluminum silver anodized with a mirrored-glass swing door,  
 Door hinge right, pivoting range approx. 11-1/16", and max. 95°,  
 Wall mounted, plastic lid and base, mat, white, RAL 9003  
 Total depth with door opened 16-1/16", for folded paper towels, length up to 9-7/8",  
 Width from 3-15/16" up to 4-7/8", Height 13-13/16", Width 11-3/16"  
 Projection 5-7/16"  
 The paper towel dispenser is fitted with 4 hidden fixing points incl. corrosion-free mounting material

**Warranty:** KEUCO products are covered by a 5-year manufacturer's warranty, in effect from the date of purchase. During this time, proven product defects will be remedied free of charge. Warranty claims must be filed in writing, including a detailed description of the defect immediately after a defect has occurred. For a copy of our detailed product warranty policy, please contact us at [office-usa@keuco.com](mailto:office-usa@keuco.com).

**Installation:** KEUCO products must be installed by a qualified professional in accordance with the respective installation guidelines and any applicable federal / local building codes and regulations.