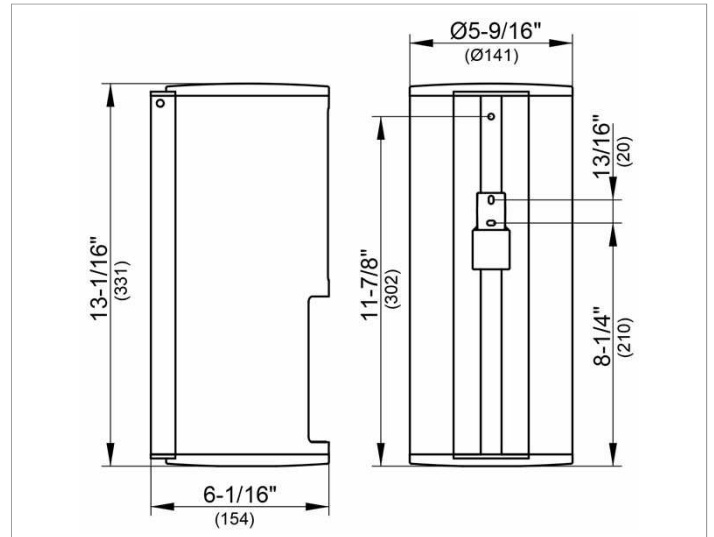


**Plan**  
**14969011200 Multiple toilet roll dispenser**

**PRODUCT**



**DRAWING**



**PRODUCT ATTRIBUTES**

for horizontal or vertical installation  
 capacity 2 rolls (max. 4-3/4 inches)

**SURFACE**

polished chrome

**SPECIFICATIONS**

KEUCO PLAN multiple toilet roll dispenser 14969011200  
 chrome-plated multiple toilet roll dispenser in a stylish yet functional design  
 capacity 2 rolls  
 for horizontal or vertical installation in the public domain  
 for 4-3/4" wide paper rolls  
 width (height) 13-1/16", diameter 5-9/16", projection 6-1/16"  
 The toilet paper holder is fitted with 2 hidden fixing points  
 incl. corrosion-free mounting material

**Warranty:** KEUCO products are covered by a 5-year manufacturer's warranty, in effect from the date of purchase. During this time, proven product defects will be remedied free of charge. Warranty claims must be filed in writing, including a detailed description of the defect immediately after a defect has occurred. For a copy of our detailed product warranty policy, please contact us at [office-usa@keuco.com](mailto:office-usa@keuco.com).

**Installation:** KEUCO products must be installed by a qualified professional in accordance with the respective installation guidelines and any applicable federal / local building codes and regulations.