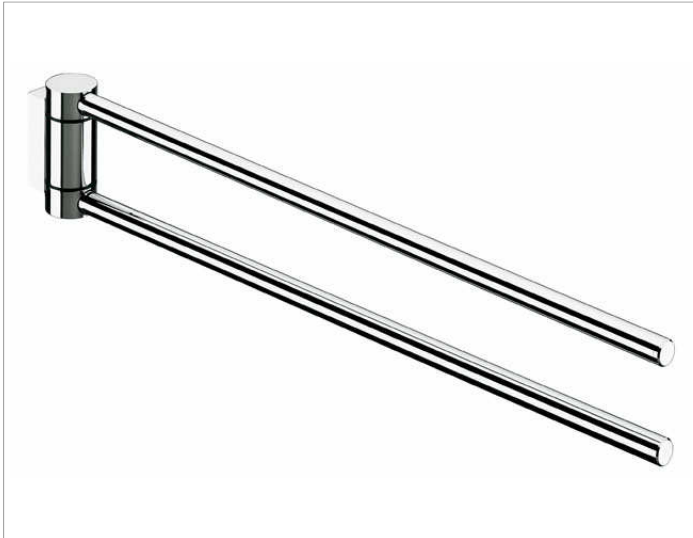
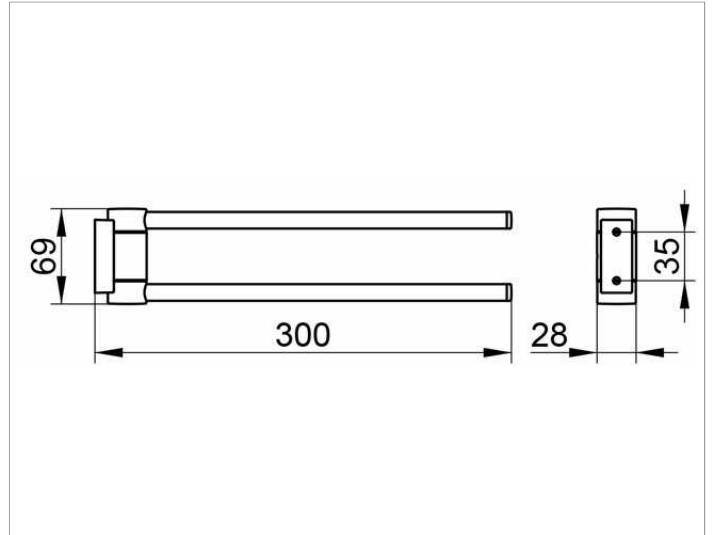


Plan  
14919010000 Towel holder

**PRODUCT**



**DRAWING**



**PRODUCT ATTRIBUTES**

two arms, swiveling

**SURFACE**

chrome-plated

**DIMENSION**

300 mm

**SPECIFICATIONS**

KEUCO PLAN towel holder 14919010000  
Chrome-plated towel holder in a stylish yet functional design  
Two stacked, independent laterally swiveling arms  
Anti static, easy to clean,  
Projection: 300 mm  
The towel holder is fitted with two hidden fixing points  
incl. corrosion-free mounting material