

# KCV-140

White Round Ceramic Bathroom Sink

# Kräus<sup>®</sup>

SPECIFICATION SHEET

## Material

Vitreous China

## Installation Type

Vessel

## Bowl Shape

Round

## Drain

Type: W/O Overflow

Drain Hole Size: 1 3/4"

## Dimensions

17 3/4" x 5"

## Optional Accessories

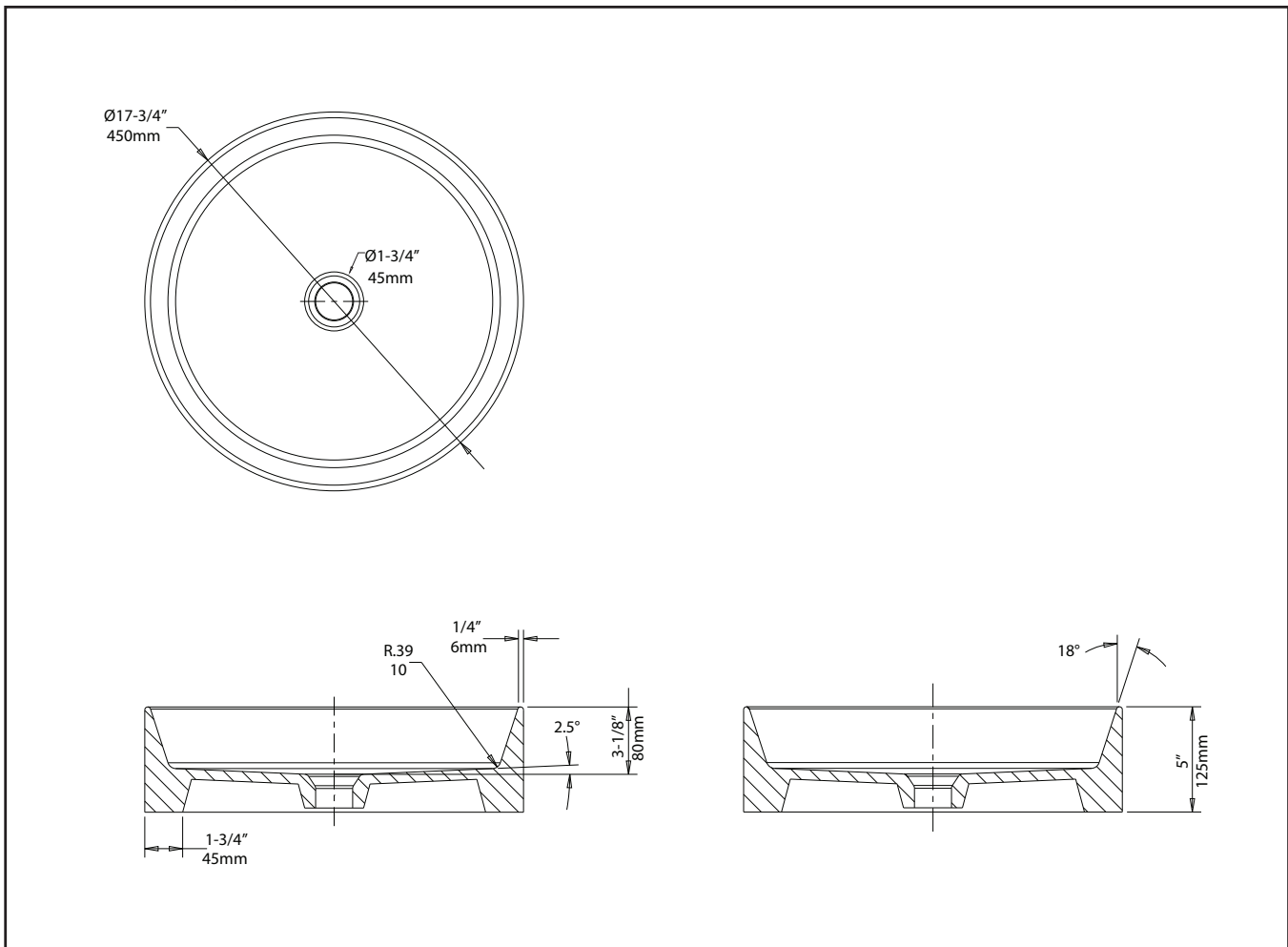
Pop-Up Drain: PU-10/PU-15

Grid Drains: PU-12

P-Traps: PT-50

Kraus Limited Lifetime Warranty: See website for details [www.kraususa.com](http://www.kraususa.com)

1.800.775.0703 / [customerservice@kraususa.com](mailto:customerservice@kraususa.com)



Codes/Standards: CSA B45.11/IAPMO Z401

REV. August 16, 2016

**Kräus**<sup>®</sup>

INSTALLATION MANUAL

# Sheven Single Lever Vessel Faucet

FVS-1002

# Congratulations on your new Kraus purchase!

We would like to take this opportunity to thank you for your business with Kraus USA. It is our sincere hope that you are completely satisfied with your Kraus experience. We welcome any questions or comments you may have, and look forward to assisting you in the future.

For more information about Kraus products, please visit our website at:  
**[www.kraususa.com](http://www.kraususa.com)**.

In order to allow us to serve you better, we recommend registering your new Kraus product at: **[www.kraususa.com/product-registration](http://www.kraususa.com/product-registration)**

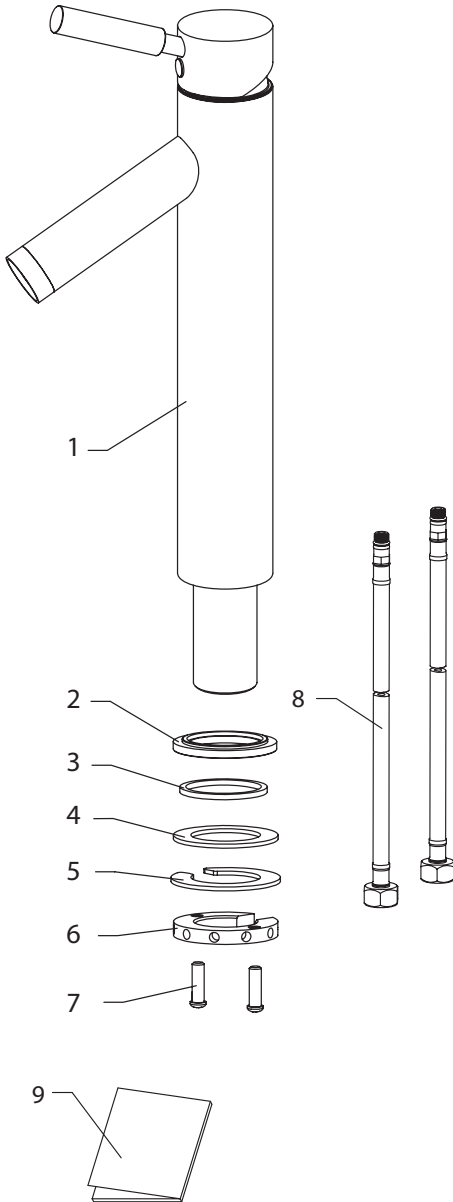
*Sincerely,*

*Kraus Customer Service Department*

## Prior to Installation

- Make sure that the cold and hot water lines are turned off
- Wrap all threaded connections with Teflon tape. Always wrap in a clockwise direction
- Cover your drain to avoid losing parts
- Do not disassemble the main faucet body, as it has been installed & commissioned correctly & precisely before delivery from the factory
- To keep the faucet from jamming, flush the water pipe before installation
- Using condition: Working pressure at 0.05-1.0MPa (including cold & hot water pressure) with applicable water temperature: 4°C-90°C

# FVS-1002 Diagram and Parts List



## Included Parts:

1. Faucet Body
2. Base Trim Ring
3. Base O-Ring
4. Rubber Washer
5. Metal Washer
6. Mounting Nut
7. Mounting Screws (2)
8. Hot & Cold Waterlines (2)
9. Manual

## Tools you will need:

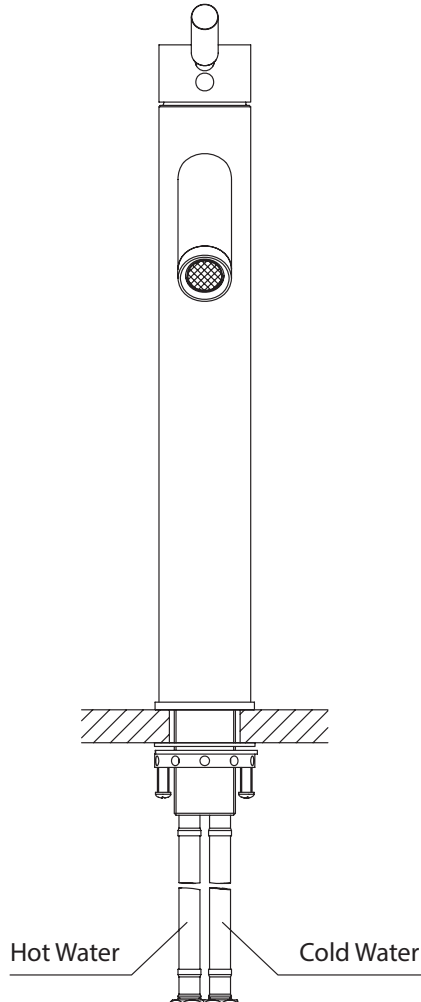


Wrench



Phillips  
Screwdriver

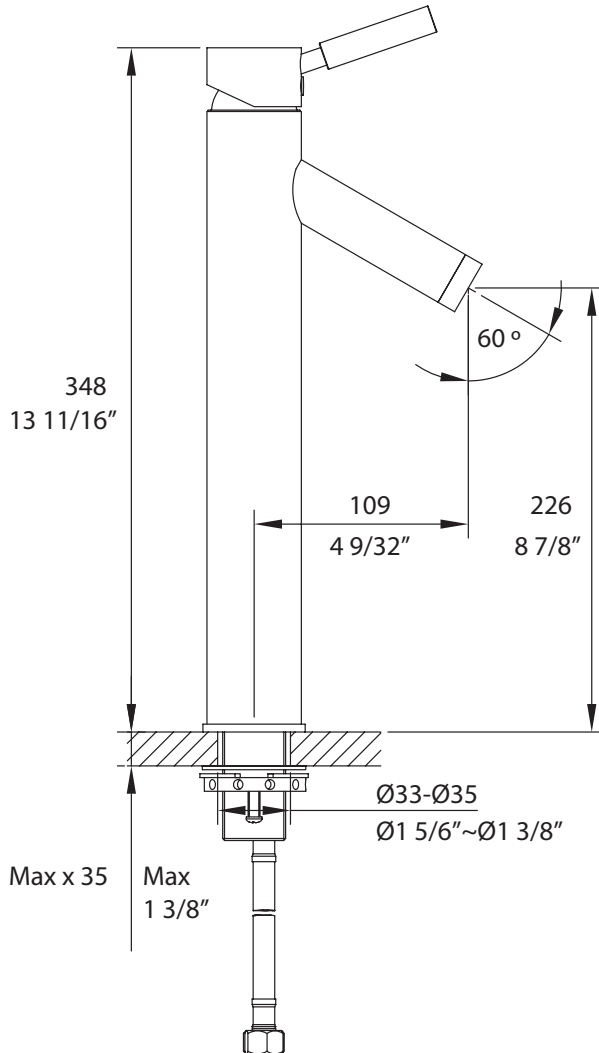
## Dimension Drawings



### Safety Tips

- If soldering the water connections when installing the faucet, remove the O-rings, cartridges, and washers before applying any heat
- Protect your eyes with safety glasses when cutting or soldering

## Dimension Drawings

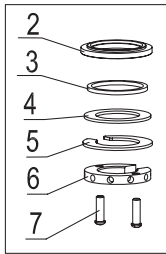
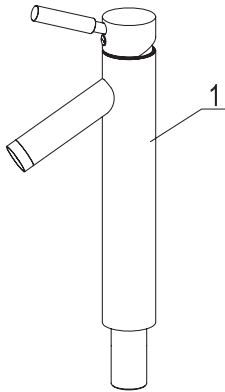


### Safety Tips

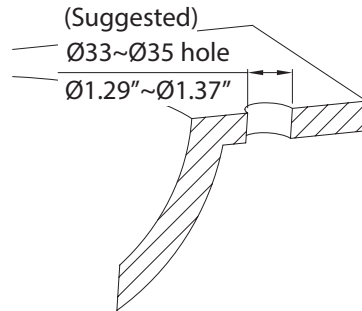
- Do not overtighten fixing screws/nuts. Tighten finger-tight, then use a wrench/screwdriver to tighten the fixing screw/nut until snug

# FVS-1002 Installation Procedures

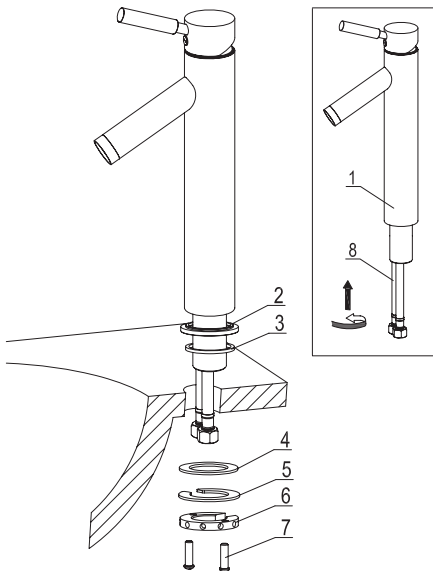
## Step 1



Remove rubber washer (4), metal washer (5), mounting nut (6) and mounting screws (7). Keep the base trim ring (2) and base O-ring (3) on the base of the faucet.



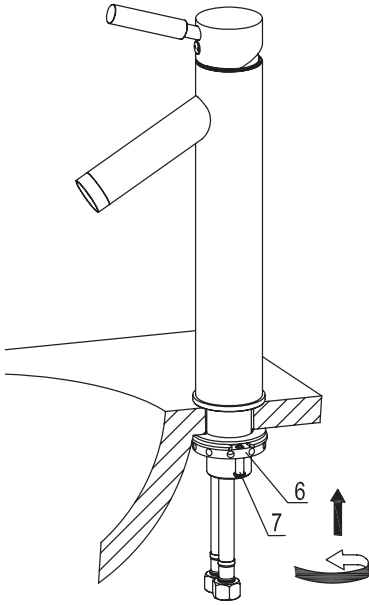
## Step 2



Screw and hand-tighten the hot and cold waterlines (8) into the faucet body (1), hot side left & cold side right when spout is facing up. Install the faucet body (1) through the 1-3/8" predrilled hole in the countertop. Attach the rubber washer (4), metal washer (5), mounting nut (6), and mounting screws (7) from underneath the sink.

### Step 3

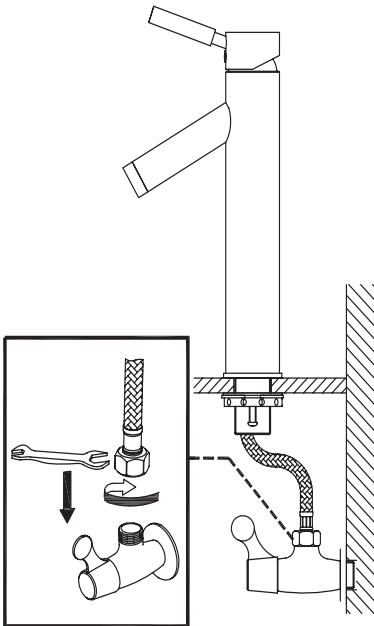
---



After adjusting the direction of the faucet body (1), tighten the mounting nut (6) until snug and then tighten the mounting screws (7) to the nut with a Phillips head screw driver until snug.

### Step 4

---



Connect hot and cold waterlines (8) to the angle stops and tighten with a wrench. Unscrew the aerator cover by hand, and remove the aerator, then turn on the water to remove any leftover debris



# Care & Maintenance



\*To keep the product clean & shining, follow the steps below:

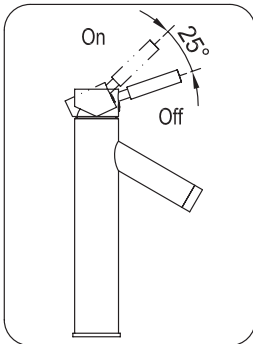
1. Rinse with clean water & dry with a soft cloth
2. Do not clean with soaps, acid, polish, abrasives, or harsh cleaners
3. Do not use a cloth with a coarse surface
4. Unscrew the aerator and clean when necessary

\*This installation manual is subject to change without further notice.

---

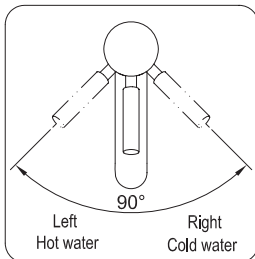
## Usage

How to operate the handle:



Raise the lever handle to turn on the water. Push down to turn off.

Turn the lever handle to the left to increase hot water flow and temperature, turn to the right to increase cold water flow and temperature.



## Trouble - Shooting

If you have followed the instructions carefully and your faucet still does not work properly, take the following corrective steps:

PROBLEM	CAUSE	ACTION
Leakage under the handle	Adjusting locking nut has come loose	Remove handle index button. Loosen set screw with hex wrench. Remove handle by hand only. Tighten locking nut with an adjustable wrench
Aerator drips or has inconsistent water flow pattern	Aerator is dirty or not seated properly	Unscrew aerator cap by hand. Remove aerator and clean out debris
Water will not shut off completely	Cartridge may be defective	Remove handle index button. Loosen set screw with hex wrench. Remove handle by hand only. Unscrew trim cap by hand only. Unscrew the locking nut with an adjustable wrench. Remove ceramic disc cartridge. Check for cracks

## **Codes/Standards Applicable:**

Specified model meets or exceeds the following: ANSI/ASME A112.18.1, cUPC, AB1953

## **KRAUS LIMITED LIFETIME WARRANTY**

This product has been manufactured and tested to the highest quality standards by Kraus USA Inc. ("Kraus"). We offer our customers thoughtfully crafted fixtures & accessories, engineered for enduring performance over years of use.

### **WHO IS COVERED BY THE WARRANTY**

This warranty extends to the original purchaser only. This warranty is not transferable, between homes or owners and is only applicable to residential use.

### **WHAT IS COVERED BY THE WARRANTY**

Kraus warranties this product against defects due to material or craftsmanship error during the warranty period: Kraus will provide replacement parts at no charge, or at its option, replace any product or part of the product that is deemed defective, under normal installation, use, service and maintenance. If Kraus is unable to provide a replacement and repair is not practical or cannot be made in timely fashion, Kraus may elect to refund the purchase price in exchange for the return of the product.

### **CONDITIONS AND EXCLUSIONS**

Like other home fixtures, Kraus products will require light maintenance to ensure proper function. We provide you with complete knowledge to perform this maintenance and can also recommend resources if you are unable to fulfill this service.

- A.** Kraus will not be responsible for product failures due to lack of maintenance or proper use. Please read your care and maintenance documentation to determine the limits of proper use.
- B.** The original sales receipt, order number, and/or proof of purchase must be presented at the time of the warranty claim, without exception, for this warranty to be applied to all Kraus products.

C. Kraus recommends installing all Kraus products with a licensed, professional plumber. Kraus will not be held responsible for any damage or product failure due to improper installation, misuse, or failure to use a licensed professional. Please read your care and maintenance documentation to determine the limits of proper use.

D. Commercial use will automatically void this warranty.

E. This warranty is not applicable to Kraus products purchased from an unauthorized seller. For a complete list of authorized sellers please visit <http://www.kraususa.com/where-to-buy.html>

## **NON-APPLICABILITY OF THIS WARRANTY**

By the purchase and use of our products, you agree that Kraus is not liable for incidental, consequential or special damages associated with the return, replacement, installation or use of your product. This includes freight costs, cartridge replacement, labor, travel time, lost profit, home damages and other contingent liabilities and costs (including, without limitation, costs associated with experts, investigations, analyses, attorneys and other professionals and services). The Kraus warranty is a comprehensive and explicit limit of liability, and all items outside of it are not addressable by or the responsibility of Kraus. Certain states have variances regarding implied warranties and in those situations we remain fully compliant.

KRAUS USA Inc. makes no implication that products comply with any or all local building or plumbing codes. It is the consumer's responsibility to determine local code compliance. This warranty extends to the original purchaser and first consumer.

---

## **HELP LINE**

For additional assistance at any point in the installation process, please call us at 1.800.775.0703 or email us at [info@kraususa.com](mailto:info@kraususa.com)

Our customer service hours are Monday – Friday, 9am – 8pm EST.  
Be sure to visit our website at [www.kraususa.com](http://www.kraususa.com).

Kräus®

[www.kraususa.com](http://www.kraususa.com)