

Aquamarine Square Clear

Glass Vessel Bathroom Sink

Kräus®

SPECIFICATION SHEET

Thickness

19mm

Bowl Shape

Square

Dimensions

16 1/2" x 16 1/2" x 6"

Model

GVS-901-19mm

Drain

Type: W/O Overflow

Drain Hole Size: 1 3/4"

Mounting Ring

(Required but not included)

Optional Accessories

Pop-Up Drain: PU-10/PU-15

Grid Drain: PU-12

P-Trap: PT-50

Material

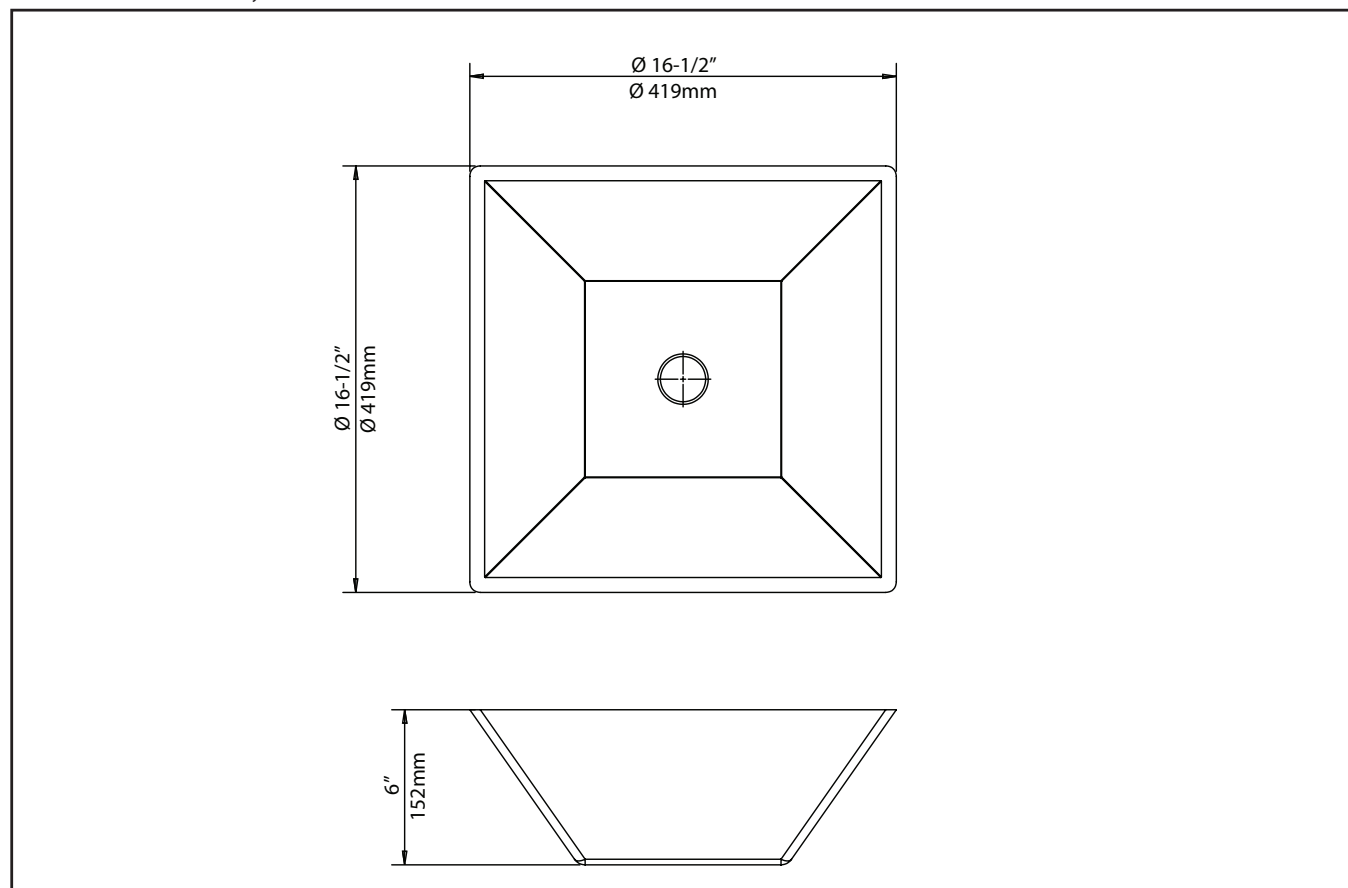
Tempered Glass

Installation Type

Vessel

Kraus Limited Lifetime Warranty: See website for details www.kraususa.com

1.800.775.0703 / customerservice@kraususa.com



Listing: UPC, cUPC, CSA, IPC, ANSI, IAPMO, SCC

REV. December 8, 2015