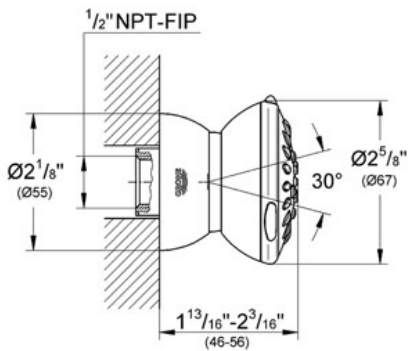


GROHE ONDUS®/RELEXA 65  
MASSAGE NPT  
Side Shower 2 Sprays  
MODEL # 27070

Pure Freude an Wasser



GROHE America, Inc | 200 North Gary Avenue, Suite G, Roselle, IL 60172  
Phone: +1 (800) 444-7643 | Fax: +1 (800) 225-2778 | us-customerservice@grohe.com



**Product Description:**  
Side Shower 2 Sprays

**Standard Specification:**

- GROHE StarLight® finish
- SpeedClean anti-lime system
- 2 adjustable sprays: Wide Spray / Massage
- 1/2" NPT Female Threads
- Ball-joint
- Max Flow Rate 2.5 gpm (9.5 L/min)

**Applicable Codes & Standards:**

- Energy Policy Act of 1992
- ASME A112.18.1/CSA B125.1

**Color:**

- 27070 000 chrome
- 27070 EN0 Brushed Nickel
- 27070 ZB0 Oil Rubbed Bronze