

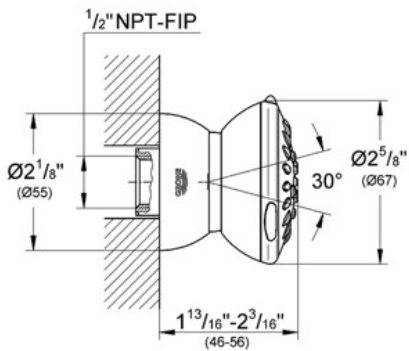
# MOVARIO 70 NPT Side Shower 2 Sprays

MODEL # 28528

Pure Freude an Wasser



GROHE America, Inc | 200 North Gary Avenue, Suite G, Roselle, IL 60172  
Phone: +1 (800) 444-7643 | Fax: +1 (800) 225-2778 | us-customerservice@grohe.com



## Product Description: Side Shower 2 Sprays

### Standard Specification:

- GROHE StarLight® finish
- SpeedClean anti-lime system
- Extreme low profile
- Ball-joint
- 1/2" NPT Female Threads
- 2 adjustable sprays: Wide Spray / Massage
- Max Flow Rate 2.5 gpm at 80 psi (9.5 L/min)

### Applicable Codes & Standards:

- Energy Policy Act of 1992
- ASME A112.18.1/CSA B125.1

### Color:

- 28528 000 chrome
- 28528 EN0 Brushed Nickel
- 28528 ZB0 Oil Rubbed Bronze
- 28528 BE0 Sterling inf

