

**Kräus<sup>®</sup>**

INSTALLATION MANUAL

## **Glass Vessel Sink**

## Thank You

Kraus would like to take this opportunity to thank you for purchasing our products. It is our sincere hope that you are completely satisfied with your new purchase and enjoy it for years to come. We welcome any questions or comments you may have, and look forward to assisting you in the future.

For more information about Kraus products, please visit our website at [www.kraususa.com](http://www.kraususa.com).

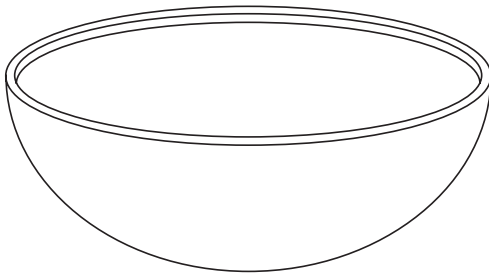
In order to allow us to serve you better, we recommend registering your new Kraus product at:

[www.kraususa.com/product-registration](http://www.kraususa.com/product-registration)

*Sincerely,*

*Kraus Customer Service Department*

## Kraus Glass Vessel Sinks



### Specifications

**DIMENSIONS:** 14" - 17"

**GLASS THICKNESS:** 12mm -19mm

**DRAIN OPENING:** 1.75 in Standard

**INSTALLATION:** Above Counter

**LIMITED LIFETIME WARRANTY**

- Fashionable bathroom sink is the perfect harmony of elegance and style
- Eye-catching Kraus glass vessel sink will turn an ordinary bathroom into a lavish space
- Sink provides an easy home improvement project
- Sink features polished glass interior and exterior, or polished glass interior and textured painted exterior
- Designed for above counter installation with standard US plumbing connections
- Certified and Listed by UPC, cUPC, CSA, IAPMO, ANSI and SCC
- Manufactured by Kraus

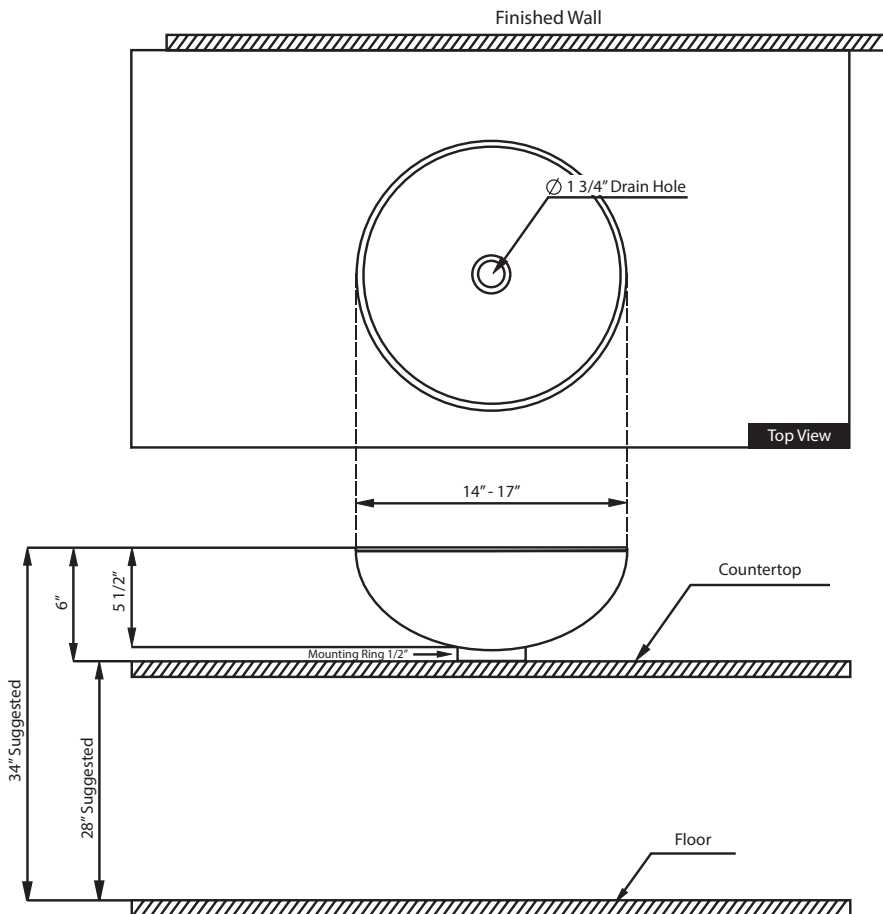
### Prior to Installation

- Unpack your new product and ensure that all the parts are contained in the packaging
- Keep the product in its original box until you're ready to install it
- The counter top must be flat
- Shut off the water supply if replacing a previously-installed vessel sink
- Observe all plumbing and building codes in your area
- It is recommended that installation of the product be done by a professional plumber

## Installer Tip

Shut off main water supply before installation.

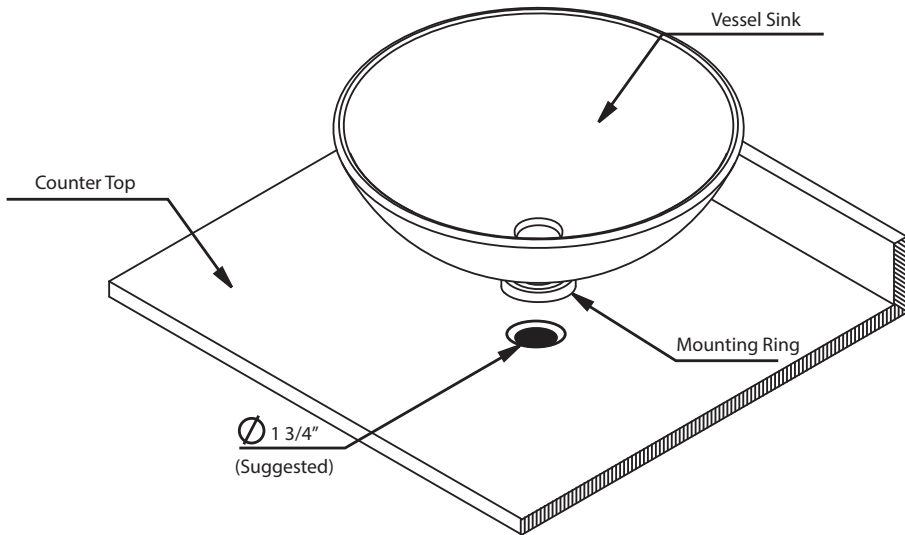
## Rough-In Dimensions



## Installation Instructions

### Before you begin

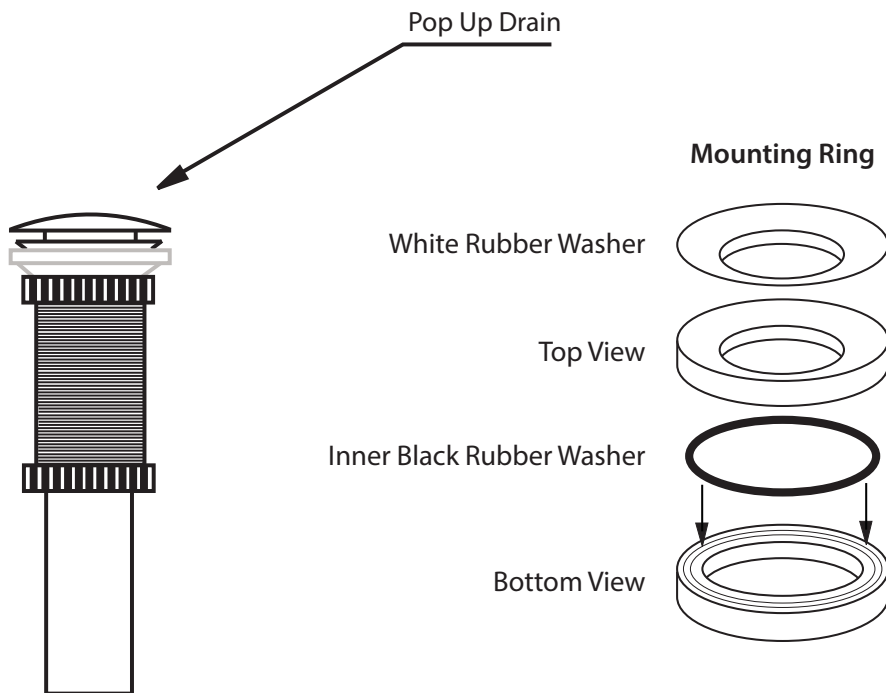
Prepare counter top by drilling a 1 3/4" diameter drain hole at the desired location. Install mounting ring. Place vessel sink on the mounting ring or counter top as shown below.



1. Make sure the vessel sink is not scratched, chipped or broken prior to installation.
2. Check to see if your set contains the following parts:
  - Vessel sink
  - Pop up drain (optional, may be sold separately)
  - Mounting Ring (optional, may be sold separately)
3. Locate and place the mounting ring over the drain hole with the rubber side facing down and the white washer side facing up.
4. Gently set your sink on top of the mounting ring.

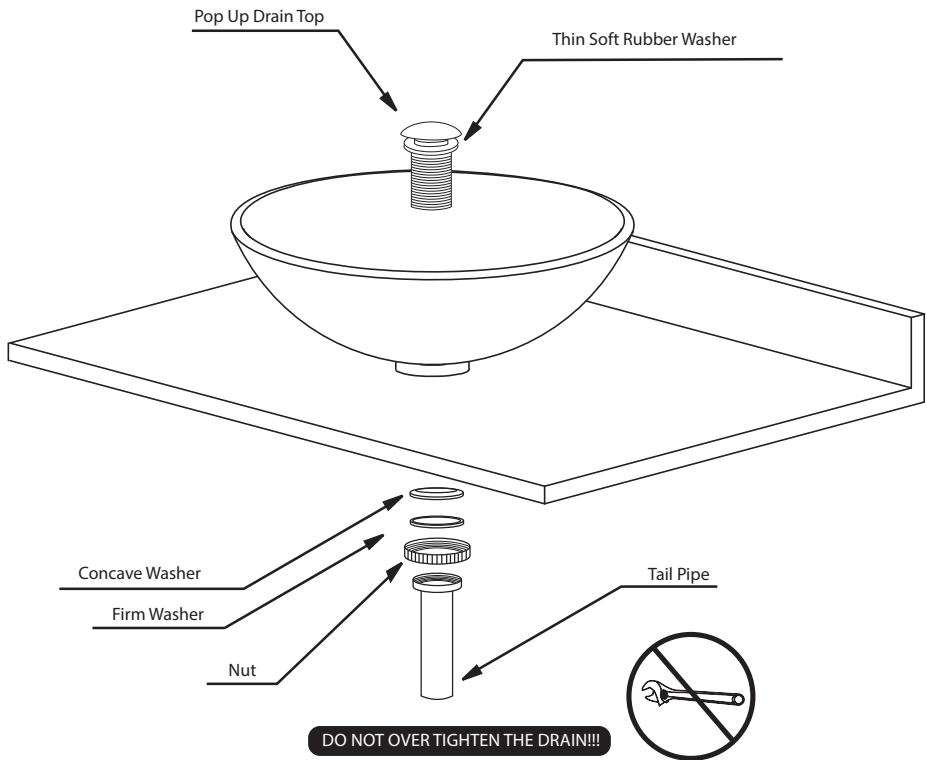
## Pop Up Drain & Mounting Ring Installation

(ONLY IF INCLUDED)



Locate and disassemble your pop up drain in the following order:

- Unscrew the tail piece
- Unscrew the brass nut
- Remove the firm washer
- Remove the concave washer, leaving the top thin rubber washer on.



1. From above the countertop, insert the drain body into the 1 3/4" drain opening of your sink.
2. From underneath the countertop, insert the concave white rubber washer onto the drain.
3. Pushing the washer all the way up until it is in contact with the countertop.
4. Insert the firm washer onto the drain body until it comes into contact with the concave white rubber washer.
5. Screw the brass nut onto the drain body until it touches the firm washer.

## CARE & MAINTANANCE

Kraus glass vessel sinks are hand crafted from the highest quality tempered glass, and are extremely durable and resistant to corrosion. However, despite the durability and strength of our sinks, they may still be damaged if proper measures are not taken in their care and maintenance.

In order to prolong the life of you glass sink, simple daily maintenance is the key to keep your sink in its original condition. We suggest cleaning your sink after each use with a soapy sponge, then rinsing thoroughly with warm water. You may dry it with a towel or a dry cloth. This will eliminate water spots and streaks while the sink is in use.

Do not be alarmed in case you begin to notice stains on your glass sink. They are most often caused by various minerals contained in your water supply. These mineral deposits settle in the surface of the glass and may cause the surface to stain. In order to eliminate stain spots, use a non-abrasive or mild-abrasive cleaner as mentioned earlier. Remember not to apply force while cleaning your glass sink. Do not scrub the glass, as you may scratch the surface of the sink. When finished, rinse thoroughly with warm water and dry with a towel or a soft cloth.

At KrausUSA your satisfaction with quality and durability of our products is extremely important to us. Therefore, we hope that you try to avoid prolonged sink contact with products containing high concentrations of acids, dishwashing detergents, or bleaches containing chlorine. These products may stain the surface of the sink. Rinse thoroughly if these products do come in contact with the sink surface and dry it with a towel or a soft cloth.



## **KRAUS Brand Limited Lifetime Warranty**

If a product fails due to material or craftsmanship error during the warranty period, KRAUS will repair or replace the items at our discretion. We define the warranty period as the length of time that the owner of the product owns the first home where the Kraus product is installed. Warranties are not transferable, between homes or owners and are only applicable to residential use. Commercial use will automatically void the warranty. To make a warranty claim, the original sales receipt must be presented, without exception.

Like other home fixtures, Kraus products will require light maintenance to ensure proper function. We provide you with complete knowledge to perform this maintenance and can also recommend resources if you are unable to perform this service yourself. Kraus will not be responsible for product failures due to lack of maintenance.

Kraus recommends installing all Kraus products by hiring a licensed, professional plumber. We will not be held responsible for any damage or product failure due to improper installation, misuse, or failure to use a licensed professional. Please read your care and maintenance documentation to determine the limits of proper use.

By the purchase and use of our products, you agree that Kraus is not liable for incidental, consequential or special damages associated with the return, replacement, installation or use of your product. This includes freight costs, cartridge replacement, labor, travel time, lost profit, home damages and other contingent liabilities and costs (including, without limitation, costs associated with experts, investigations, analyses, attorneys and other professionals and services). The Kraus warranty is a comprehensive and explicit limit of liability, and all items outside of it are not addressable by, or the responsibility of, Kraus. Certain states have variances regarding implied warranties and in those situations we remain fully compliant. KRAUS USA Inc. makes no implication that products comply with any or all local building or plumbing codes. It is the consumer's responsibility to determine local code compliance. This warranty extends to the original purchaser and first consumer.

---

### **HELP LINE**

For additional assistance at any point in the installation process, please call us at 1.800.775.0703 or email us at [info@kraususa.com](mailto:info@kraususa.com)

Our customer service hours are Monday – Friday, 9am – 6pm EST.  
Be sure to visit our website at [www.kraususa.com](http://www.kraususa.com).

Kräus<sup>®</sup>

[www.kraususa.com](http://www.kraususa.com)

**Kraus<sup>®</sup>**

INSTALLATION MANUAL

# Single Lever Vessel Glass Waterfall Bathroom Faucet

KGW-1700

## **Thank you for purchasing Kraus**

We would like to take this opportunity to thank you for your business with Kraus USA. It is our sincere hope that you are completely satisfied with your experience. We welcome any questions or comments you may have, and will be glad to assist you in the future.

For more information about Kraus products, please visit our website at:

**[www.kraususa.com](http://www.kraususa.com)**

Please register your new Kraus product at the following web address in order to activate the warranty and receive the full benefit of customer support:

**[www.kraususa.com/registration](http://www.kraususa.com/registration)**

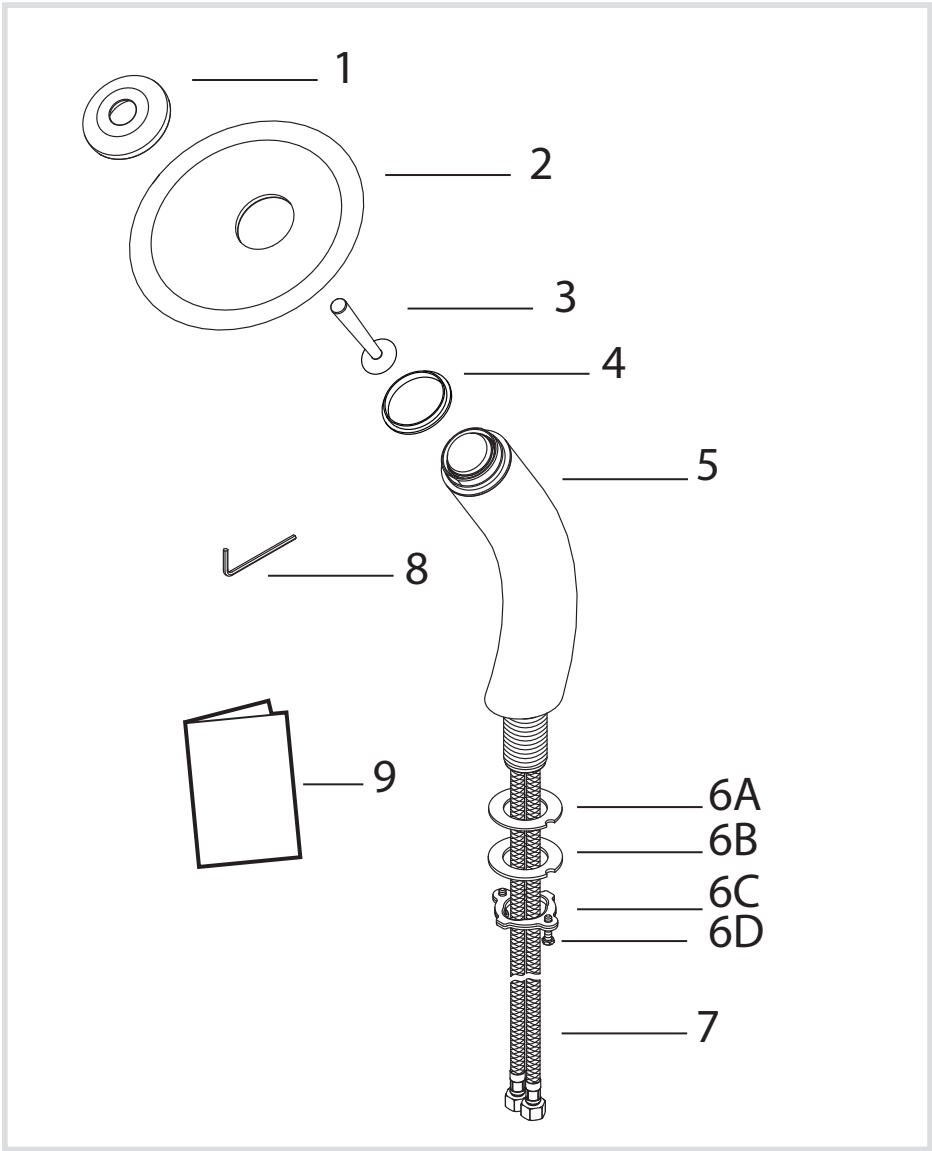
*Sincerely,*

*Kraus Customer Service Department*

### **Prior to Installation:**

- Make sure you have all necessary parts by checking the diagram and parts list. If any part is missing or damaged, please contact Kraus Customer Service at 800-775-0703 for a replacement
- Turn off the hot and cold water lines at the angle stops and turn on the old faucet to release any built-up pressure
- Flush angle stops to release any debris prior to installing new plumbing
- Pre-drilled hole: 1-3/8" (min)
- Max countertop thickness: 1-3/8"

Diagram and Parts List



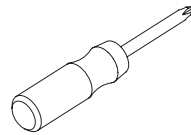
## Diagram and Parts List

1. Decorative Ring
2. Glass Disc
3. Lever
4. Seal for Glass Disc
5. Faucet Body
6. Mounting Hardware
  - (A) Rubber Washer
  - (B) Metal Washer
  - (C) Mounting Nut
  - (D) Mounting Screws
7. Hot & Cold Waterlines (2)
8. Hex Wrench
9. Manual

## Tools you will need:



**Adjustable Wrench**

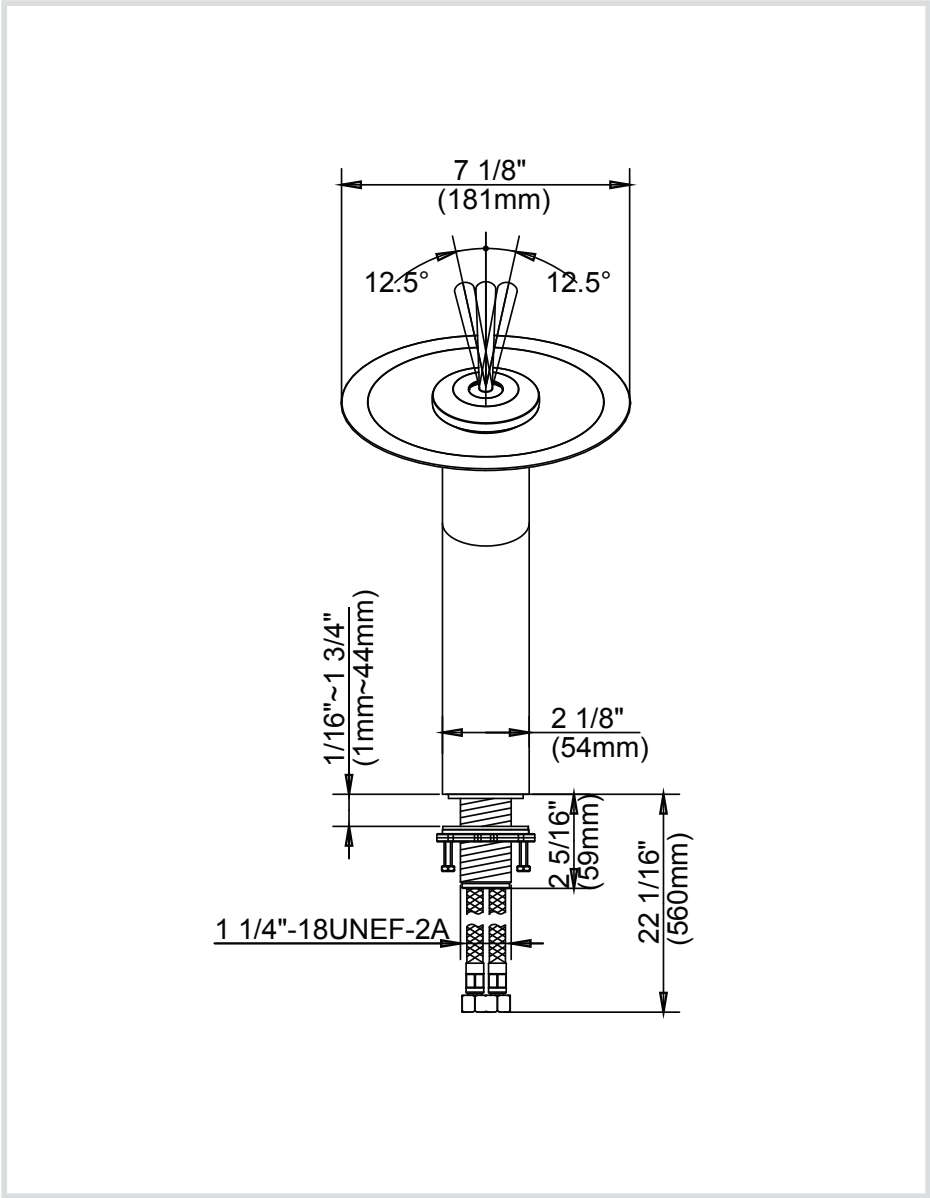


**Phillips Screwdriver**



**Pipe Tape**

# Dimensions

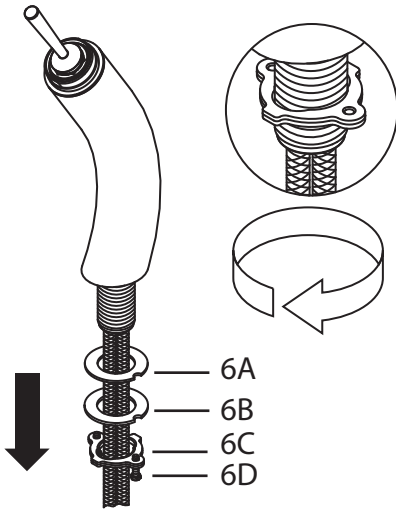






### Step 1: Remove Mounting Hardware

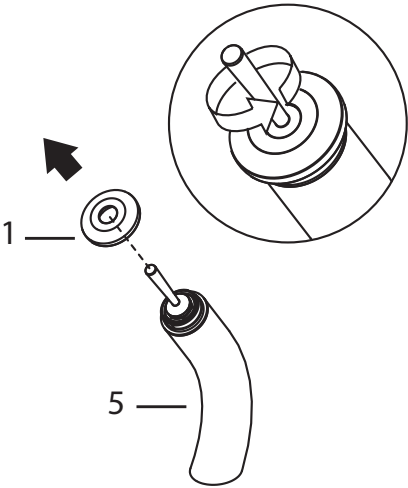
---



Remove mounting hardware (6A, B, C, & D) from the mounting pipe

### Step 2: Remove Decorative Ring

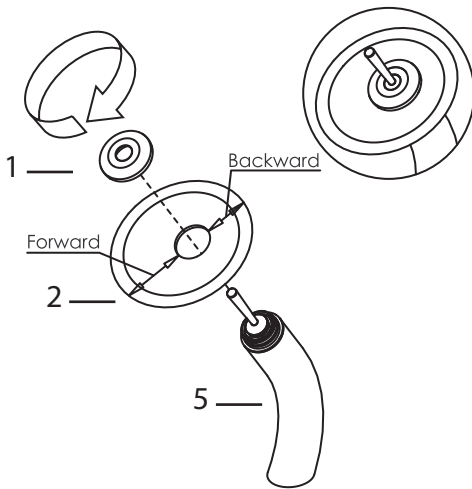
---



Remove decorative ring (1) from faucet body (5)

### Step 3: Install Glass Disc

---

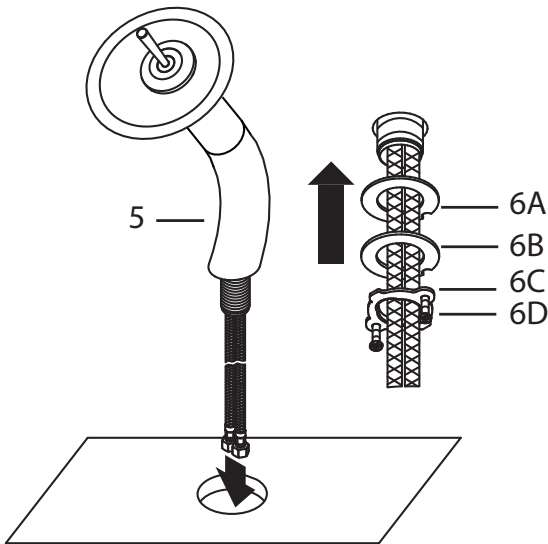


Install glass disc (2) on faucet body (5). Secure it using decorative ring (1)

**NOTE: Hand-tighten only (decorative ring)**

### Step 4: Install Faucet

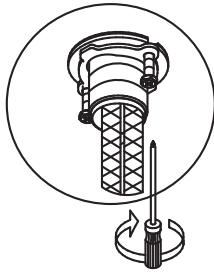
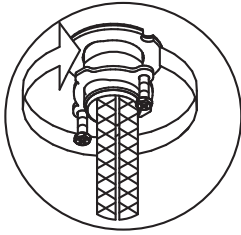
---



Insert faucet body (1) into the hole on the countertop. Attach rubber washer (6A), metal washer (6B), mounting nut (6C), and mounting screws (6D) from underneath the sink

## Step 5: Secure Mounting Hardware

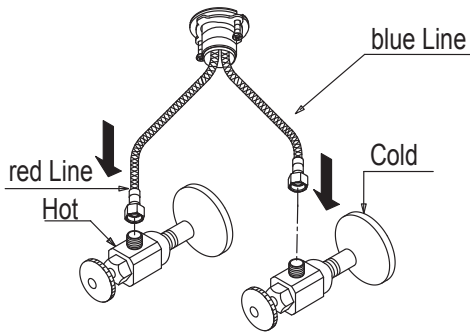
---



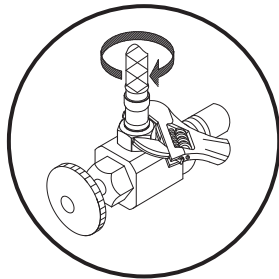
Adjust direction of faucet body (5). Tighten mounting nut (6C) until snug. Tighten mounting screws (6D) to nut with a Phillips head screwdriver until snug

## Step 6: Connect Waterlines to Main Valve

---



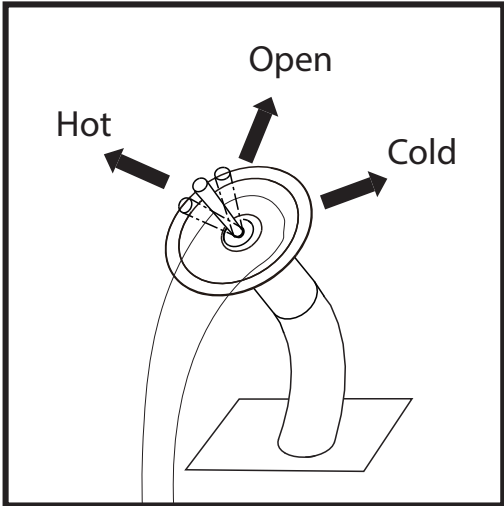
Connect hot and cold waterlines (7) to the angle stops. Tighten with a wrench until snug. Turn on hot and cold angle stops and check for leaks



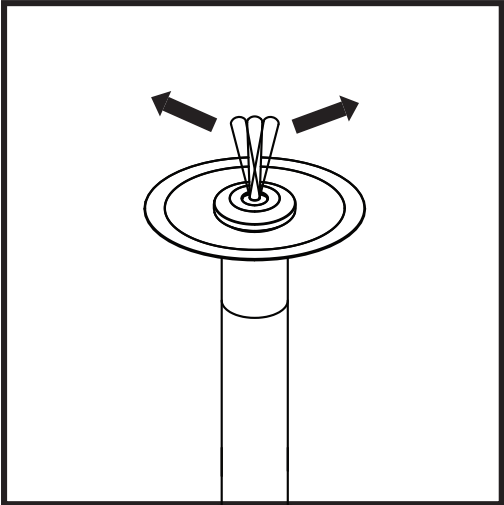
**NOTE:** Make sure O-rings are installed on both ends of the hot & cold waterlines

# Step 7: Flush Faucet

---

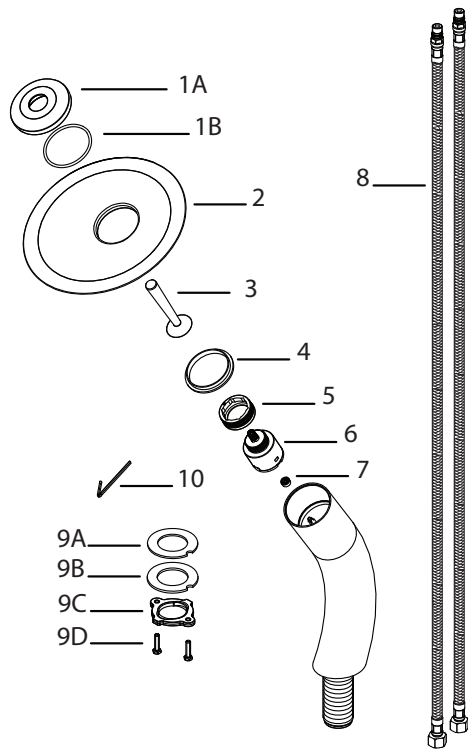


Turn water on for a minute to ensure proper water flow



## Replacement Parts

1. (A) Decorative Ring  
(B) O-ring
2. Glass Disc
3. Lever
4. Seal for Glass Disc
5. Locking Nut
6. Cartridge
7. Flow Restrictor
8. Hot & Cold Waterlines
9. Mounting Hardware  
(A) Rubber Washer  
(B) Metal Washer  
(C) Mounting Nut  
(D) Mounting Screws
10. Hex Wrench



## Care & Maintenance

\*To keep the product clean & shining, follow the steps below:

1. Rinse with clean water & dry with a soft cloth
2. Do not clean with soaps, acid, polish, abrasives, or harsh cleaners
3. Do not use cloth with a coarse surface
4. Unscrew the aerator and clean when necessary

\*This installation manual is subject to change without further notice.



## Trouble - Shooting

If you have followed the instructions carefully and your faucet still does not work properly, take the following corrective steps:

PROBLEM	CAUSE	ACTION
Leakage under the handle	Locking nut has come loose	Unscrew the decorative ring (by hand) and remove the glass disc. Loosen set screw with a hex wrench located underneath lever and remove lever. Tighten locking nut with a reversible wrench
Water will not shut off completely	Cartridge may be defective	Unscrew decorative ring (by hand) and remove glass disc. Loosen set screw with a hex wrench located underneath lever and remove lever. Unscrew locking nut with a reversible wrench. Remove ceramic disc cartridge. Check for cracks
Drain is leaking	Washers may be compromised or installed incorrectly	Check washers to make sure they are installed correctly and not cracked

## Codes/Standards Applicable:



NSF/ANSI 61



ASME A112.18.1M  
2.2gpm 8.3L/min maximum

## KRAUS LIMITED LIFETIME WARRANTY

This product has been manufactured and tested to the highest quality standards by Kraus USA Inc. ("Kraus"). We offer our customers thoughtfully crafted fixtures & accessories, engineered for enduring performance over years of use.

### WHO IS COVERED BY THE WARRANTY

This warranty extends to the original purchaser only. This warranty is not transferable, between homes or owners and is only applicable to residential use.

### WHAT IS COVERED BY THE WARRANTY

Kraus warranties this product against defects due to material or craftsmanship error during the warranty period: Kraus will provide replacement parts at no charge, or at its option, replace any product or part of the product that is deemed defective, under normal installation, use, service and maintenance. If Kraus is unable to provide a replacement and repair is not practical or cannot be made in timely fashion, Kraus may elect to refund the purchase price in exchange for the return of the product.

### CONDITIONS AND EXCLUSIONS

Like other home fixtures, Kraus products will require light maintenance to ensure proper function. We provide you with complete knowledge to perform this maintenance and can also recommend resources if you are unable to fulfill this service.

**A.** Kraus will not be responsible for product failures due to lack of maintenance or proper use. Please read your care and maintenance documentation to determine the limits of proper use.

**B.** The original sales receipt, order number, and/or proof of purchase must be presented at the time of the warranty claim, without exception, for this warranty to be applied to all Kraus products.



C. Kraus recommends installing all Kraus products with a licensed, professional plumber. Kraus will not be held responsible for any damage or product failure due to improper installation, misuse, or failure to use a licensed professional. Please read your care and maintenance documentation to determine the limits of proper use.

D. Commercial use will automatically void this warranty.

E. This warranty is not applicable to Kraus products purchased from an unauthorized seller. For a complete list of authorized sellers please visit <http://www.kraususa.com/where-to-buy.html>

## **NON-APPLICABILITY OF THIS WARRANTY**

By the purchase and use of our products, you agree that Kraus is not liable for incidental, consequential or special damages associated with the return, replacement, installation or use of your product. This includes freight costs, cartridge replacement, labor, travel time, lost profit, home damages and other contingent liabilities and costs (including, without limitation, costs associated with experts, investigations, analyses, attorneys and other professionals and services). The Kraus warranty is a comprehensive and explicit limit of liability, and all items outside of it are not addressable by or the responsibility of Kraus. Certain states have variances regarding implied warranties and in those situations we remain fully compliant.

KRAUS USA Inc. makes no implication that products comply with any or all local building or plumbing codes. It is the consumer's responsibility to determine local code compliance. This warranty extends to the original purchaser and first consumer.

---

## **HELP LINE**

For additional assistance at any point in the installation process, please call us at 1.800.775.0703 or email us at [info@kraususa.com](mailto:info@kraususa.com)

Our customer service hours are Monday – Friday, 9am – 8pm EST.  
Be sure to visit our website at [www.kraususa.com](http://www.kraususa.com)

Kräus<sup>®</sup>

[www.kraususa.com](http://www.kraususa.com)