

KHF203-33

33 Inch Farmhouse Apron 60/40 Double Bowl 16 Gauge

Stainless Steel Kitchen Sink

Satin Finish

Kräus®

SPECIFICATION SHEET

Material

16 Gauge Stainless Steel

Minimum Cabinet Size

Undermount : 36"

Installation Type

Undermount

Dimensions

Sink Dimensions: 32 7/8" x 20 3/4" x 10"

Bowl Type

Double Bowl Sink

Offset: 60/40

Apron Front: Apron Front

Handmade

Accessories Included

KBG-200-33-1 & KBG-200-33-2, BST-1 & ST-1,

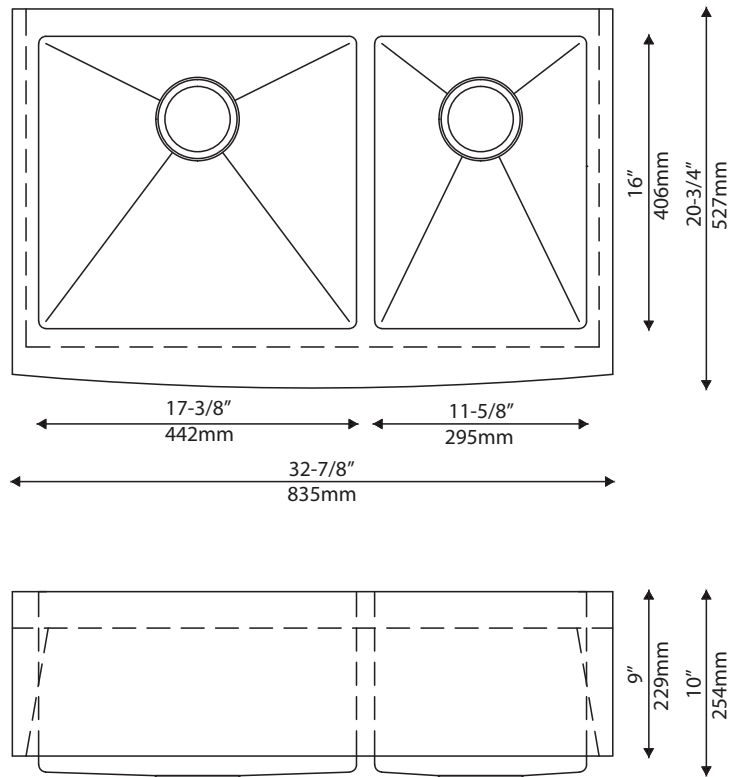
Template, Towel

Technology

Noise Defend

Kraus Limited Lifetime Warranty: See website for details www.kraususa.com

1.800.775.0703 / customerservice@kraususa.com



KPF-1602

Single Lever Commercial Style Pre-Rinse Sprayer Kitchen Faucet

Chrome / Stainless Steel Finishes

Kräus[®]

SPECIFICATION SHEET

Material

Body: Brass
Handle: Zinc
Sprayer: Brass
Waterway: Braided Nylon

Spout

Swivel: 360
Design: Commercial Spring

Sprayhead

Flow Rate: 1.75 gpm (6.6L/min) @ 60 psi
Aerator: Neoperl/1.75GPM
Name: Perlator Honeycomb
Function: Spray
Nozzles: Easy Clean Rubber Nozzles
Docking: Secure

Cartridge

Brand: Kerox
Size: 40mm
Style: Lever

Mounting

Holes: 1 Hole
Type: Brass Nut

Waterlines

Type : CAE
Flexible
Connections: 3/8"
Materials: Braided Stainless Steel
Included
Factory Installed

Dimensions

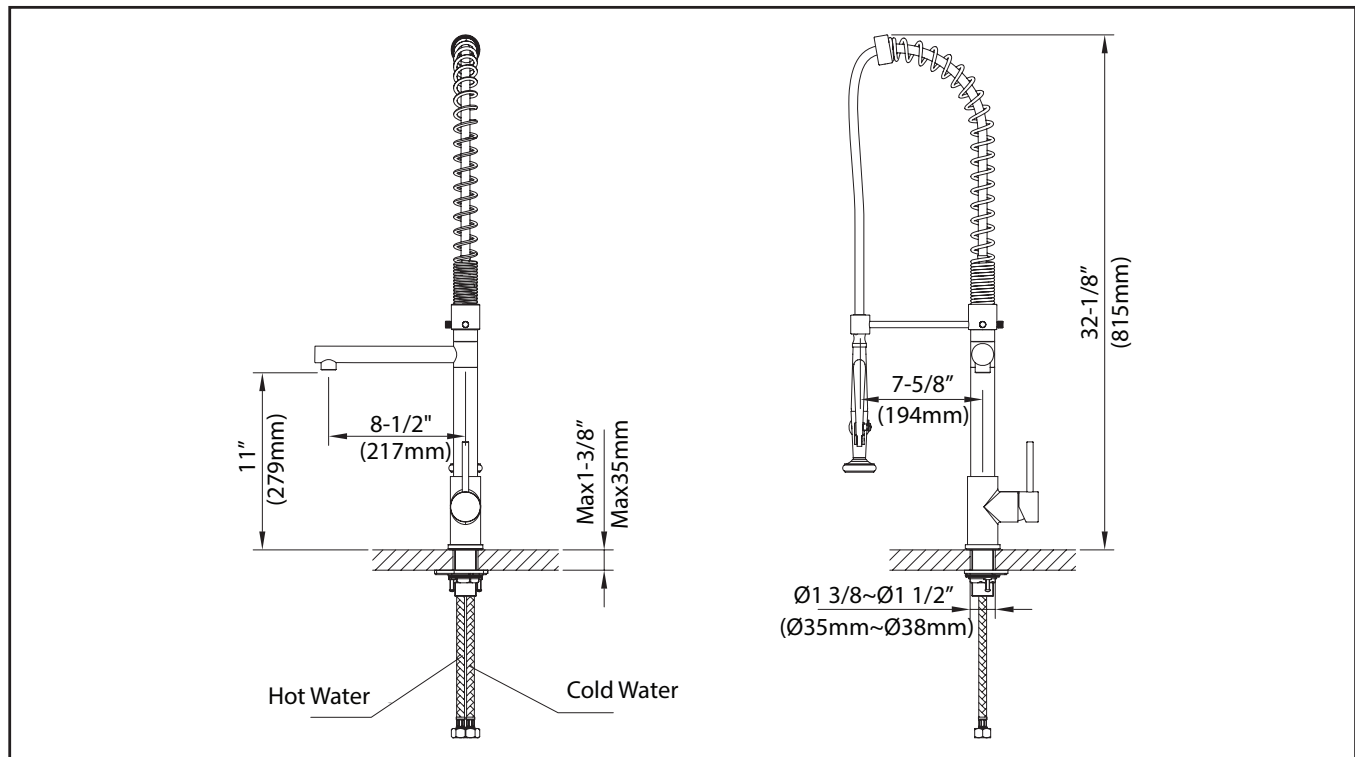
Faucet Dimensions: 32 1/8" x 8 1/2" x 2 1/4"
Handle Clearance: 2 3/4"

Accessories Included

Hex Wrench

Kraus Limited Lifetime Warranty: See website for details www.kraususa.com

1.800.775.0703 / customerservice@kraususa.com



Codes/Standards: Meets ASME A112.18.1/CSA B125.1, NSF/ANSI Standard 61 certified by IAPMO, NSF/ANSI Standard 372 certified by IAPMO, CAL GREEN, CEC, DOE, ADA

REV. August 16, 2016

KSD-30

Soap Dispenser

Kräus®

SPECIFICATION SHEET

Finish

- Chrome
- Oil Rubbed Bronze
- Satin Nickel
- Black

Material

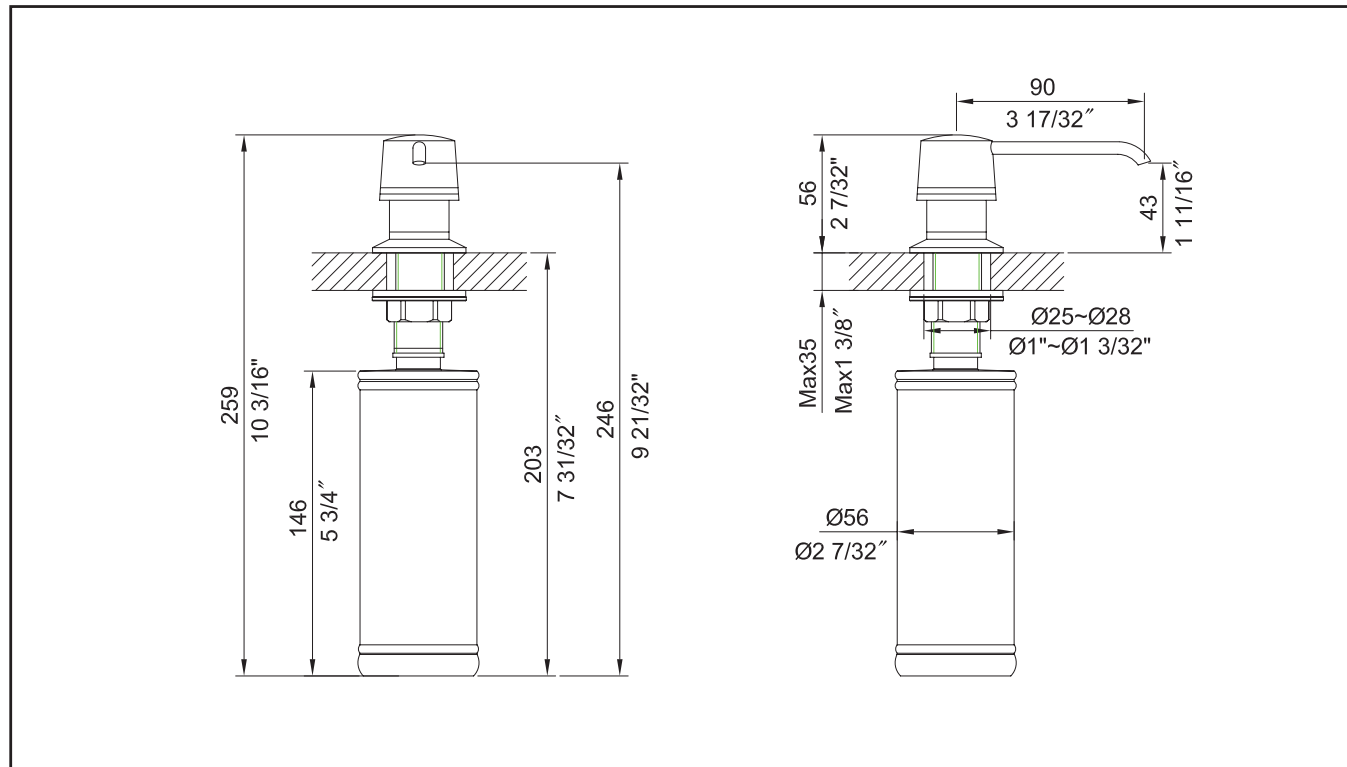
Brass

Features

- Solid Brass Construction
- Self-Priming Pump
- Refillable from Above
- Holds up to 14 oz. of Liquid
- Pump: 2-7/32"
- Spout: 3-17/32"

Kraus Limited Lifetime Warranty: See website for details www.kraususa.com

1.800.775.0703 / customerservice@kraususa.com



REV. August 18, 2016