

**Kräus<sup>®</sup>**

INSTALLATION MANUAL

# Farmhouse Stainless Steel Sink

KHF200-30 / KHF200-33 / KHF200-36

KHF203-33 / KHF203-36

KHF204-33

## Thank you for your purchase

We would like to take this opportunity to thank you for choosing Kraus. We hope that you are completely satisfied with your purchase, and enjoy it for years to come. If you have any questions, or require technical assistance, please contact us at 800.775.0703 and one of our representatives will be happy to help.

For more information about Kraus products, please visit:

**[www.kraususa.com](http://www.kraususa.com)**

In order to activate your warranty and get faster access to customer support, please register your new Kraus product at:

**[www.kraususa.com/registration](http://www.kraususa.com/registration)**

*Sincerely,*

*Kraus USA Customer Service*

## **Prior to Installation:**

- Inspect the sink prior to installation to make sure the sink has not been damaged during shipping
- Use the cut-out template provided by Kraus
- Observe all plumbing and building codes according to your state requirement
- Additional floor and wall preparation may be required to avoid damaging the product
- Make sure to purchase the correct cabinet for your farmhouse sink. Farmhouse base cabinets should be 3" larger than the actual size of the sink
- Not recommended to be installed with laminate countertop

**For technical assistance or replacement parts, please contact Kraus**

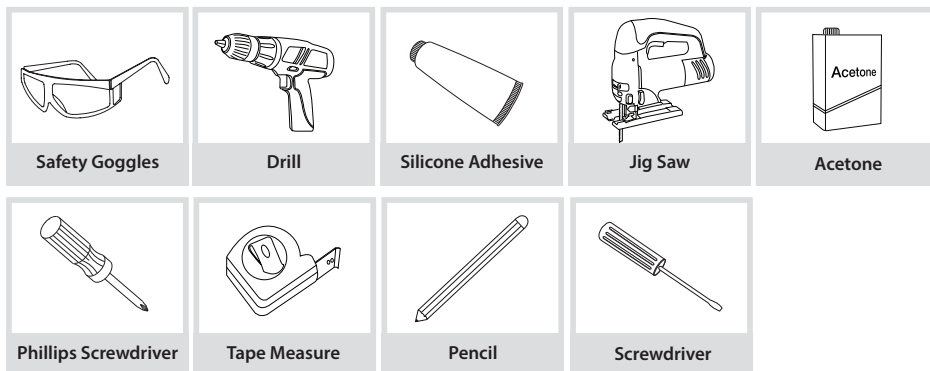
**Customer Service and one of our representatives will be happy to help:**

Toll-Free: 800-775-0703 or [Customerservice@kraususa.com](mailto:Customerservice@kraususa.com)

The step-by-step guidelines in the installation instructions are a general reference for installing a Kraus Sink. Should there be any discrepancies, Kraus cannot be held liable. It is recommended to install all Kraus products by hiring a licensed professional.

## Tools you will need:

---



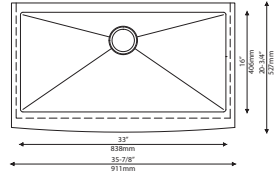
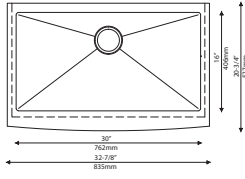
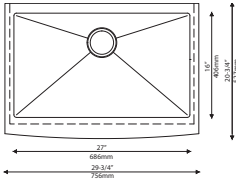
**NOTE:** Specialized tools may be necessary to install Kraus Stainless Steel Undermount sinks with countertop materials other than wood, marble, or granite

## Parts List

---

- Cut-Out Template
- Bottom Grids
- 1 Drain - BST-1 for Single Bowl
- 2 Drains – BST-1 & ST-1 for Double Bowls

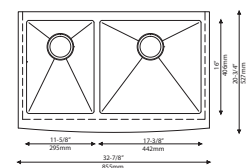
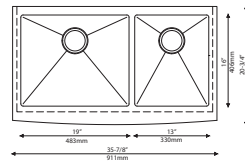
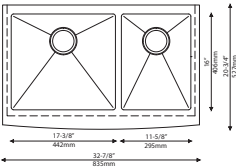
# Dimensions



**KHF200-30**  
 29 3/4" x 20 3/4" x 10"  
 Min Cabinet Size: 33"  
 Matching Grid: KBG-200-30  
 Drain Model #: BST-1

**KHF200-33**  
 32 7/8" x 20 3/4" x 10"  
 Min Cabinet Size: 36"  
 Matching Grid: KBG-200-33  
 Drain Model #: BST-1

**KHF200-36**  
 35 7/8" x 20 3/4" x 10"  
 Min Cabinet Size: 39"  
 Matching Grid: KBG-200-36  
 Drain Model #: BST-1



**KHF203-33**  
 32 7/8" x 20 3/4" x 10"  
 Min Cabinet Size: 36"  
 Matching Grid: KBG-200-33-1  
 and KBG-200-33-2  
 Drain Model #: BST-1 & ST-1

**KHF203-36**  
 35 7/8" x 20 3/4" x 10"  
 Min Cabinet Size: 39"  
 Matching Grid: KBG-200-36-1  
 and KBG-200-36-2  
 Drain Model #: BST-1 & ST-1

**KHF204-33**  
 32 7/8" x 20 3/4" x 10"  
 Min Cabinet Size: 36"  
 Matching Grid: KBG-204-33-1  
 and KBG-204-33-2  
 Drain Model #: BST-1 & ST-1

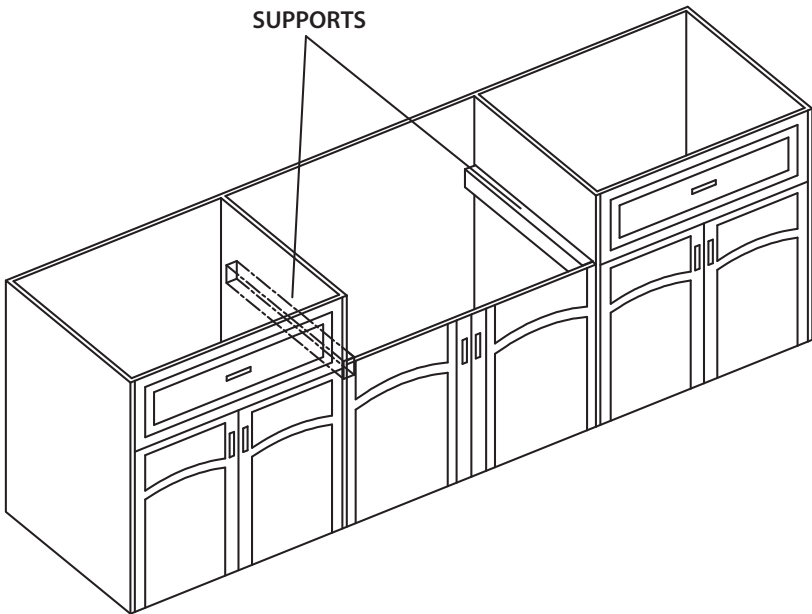
# 1. Measure & Build Supports

---

- Measure the actual height of apron
- Build supports on inside of cabinet based on sink measurements

**Installer Tip:** Support Options

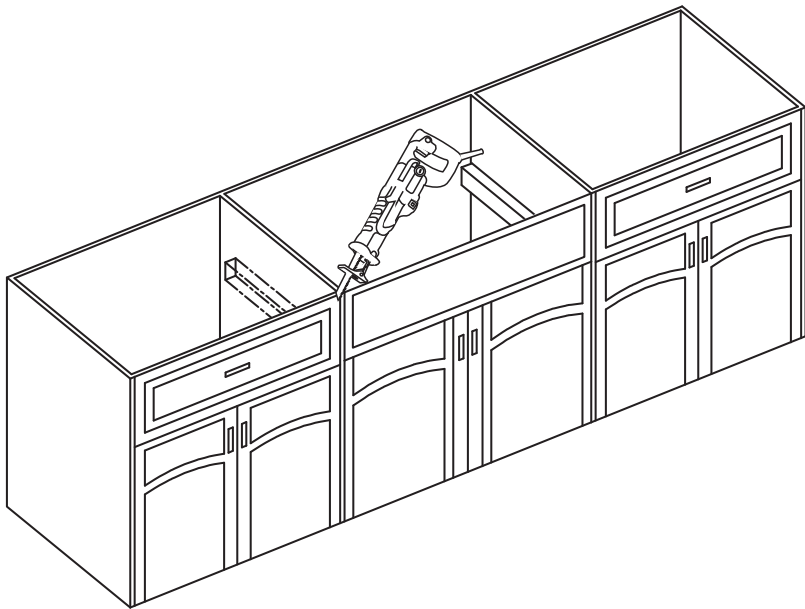
- 1 ¼" Angle Irons
- (2) 2"x 4'
- ¾" Plywood



## 2. Cut Cabinet Front

---

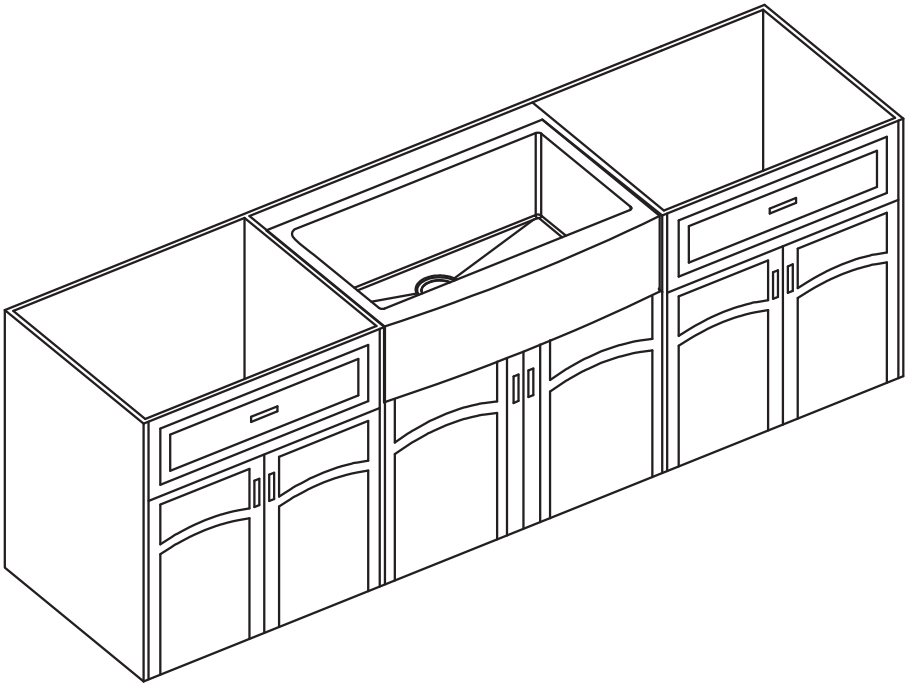
- Measure height of apron front. Add 1/16" to the dimension when you mark base cabinet front cutout. Use jigsaw to cut



### 3. Install Sink

---

- Place sink in opening. The weight of sink should be sustained by the built supports
- Make sure sink is leveled from front to back and side to side
- Uses silicone to fill in gaps where necessary



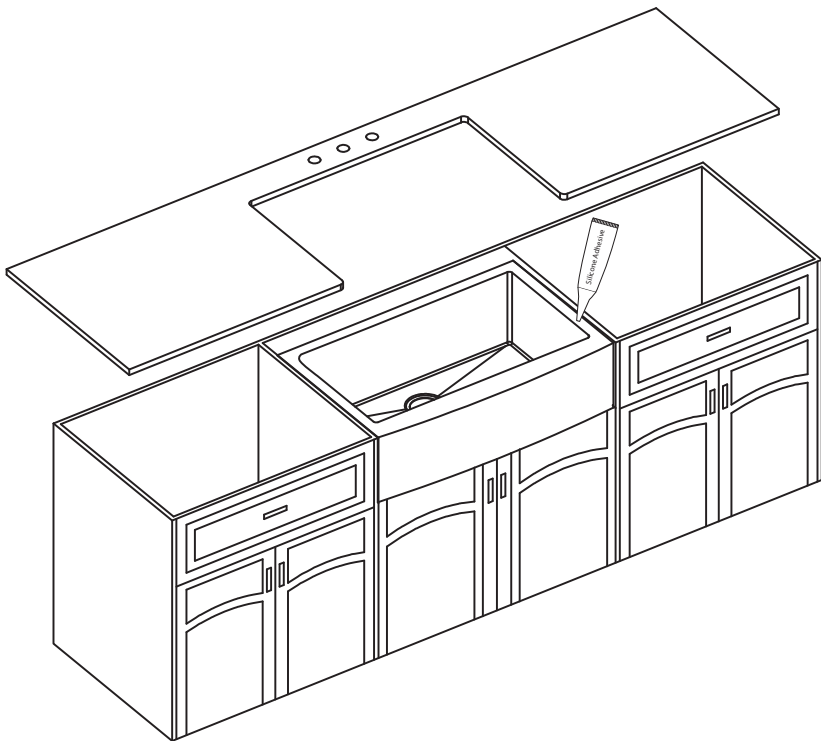


## 4. Cut Countertop

---

- Use a bead of silicone (or preferred adhesive) around the rim of the sink. Check the alignment of the sink to the cutout in the countertop. Place countertop cutout hole over sink and press firmly

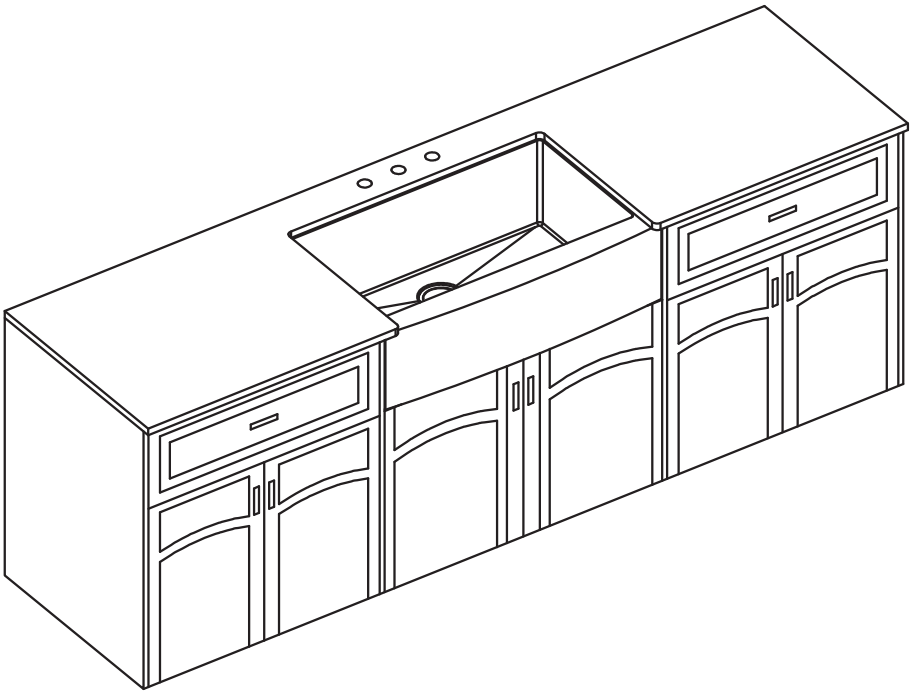
**Installer Tip:** Use acetone or rubbing alcohol to remove any excess sealant



## 5. Installing Plumbing Fixtures

---

- Connect drain, trap to drain and water supply connections to the faucet according to manufacturer's instruction.
- Run water into sink and check for leaks



## Codes/Standards Applicable:



## HELP LINE

---

Our customer service hours are Monday – Friday, 9am – 8pm EST.  
Be sure to visit our website at [www.kraususa.com](http://www.kraususa.com)

### **If you are a HOMEOWNER please contact a Kraus Customer Service Representative at:**

Kraus USA, Inc.  
12 Harbor Park Drive  
Port Washington, NY 11050  
Toll-free 800-775-0703  
[Customerservice@kraususa.com](mailto:Customerservice@kraususa.com)

### **If you are a PLUMBING CONTRACTOR OR TRADE PROFESSIONAL please contact a Kraus Pro Representative at:**

Kraus USA, Inc.  
12 Harbor Park Drive  
Port Washington, NY 11050  
516-801-8955  
[Proservice@kraususa.com](mailto:Proservice@kraususa.com)

### **If you are an AUTHORIZED PARTNER please contact a Partner Support Representative at:**

Kraus USA, Inc.  
12 Harbor Park Drive  
Port Washington, NY 11050  
516-801-8954  
[Partnersupport@kraususa.com](mailto:Partnersupport@kraususa.com)

### **In requesting warranty service, please be ready to provide:**

1. Proof of purchase.
2. A description of the problem.

**REGISTER YOUR PRODUCT TODAY**

**Receive** Proof of Ownership

**Access** Customer Care & Installation Help

**Get** Exclusive Kraus Offers & Promotions



Scan to Register Online  
or visit <http://www.kraususa.com/registration>

**We're always looking for ways to improve.**

Please take a moment to share your experience.  
Visit <http://www.kraususa.com/review> to let us know what you think  
about your new Kraus product.

Contact Us to Learn More  
1.800.775.0703 / [www.kraususa.com](http://www.kraususa.com) / [customerservice@kraususa.com](mailto:customerservice@kraususa.com)  
Like & Follow KrausUSA

Download the Kraus Care & Maintenance Guide at:  
<http://www.kraususa.com/maintenance>

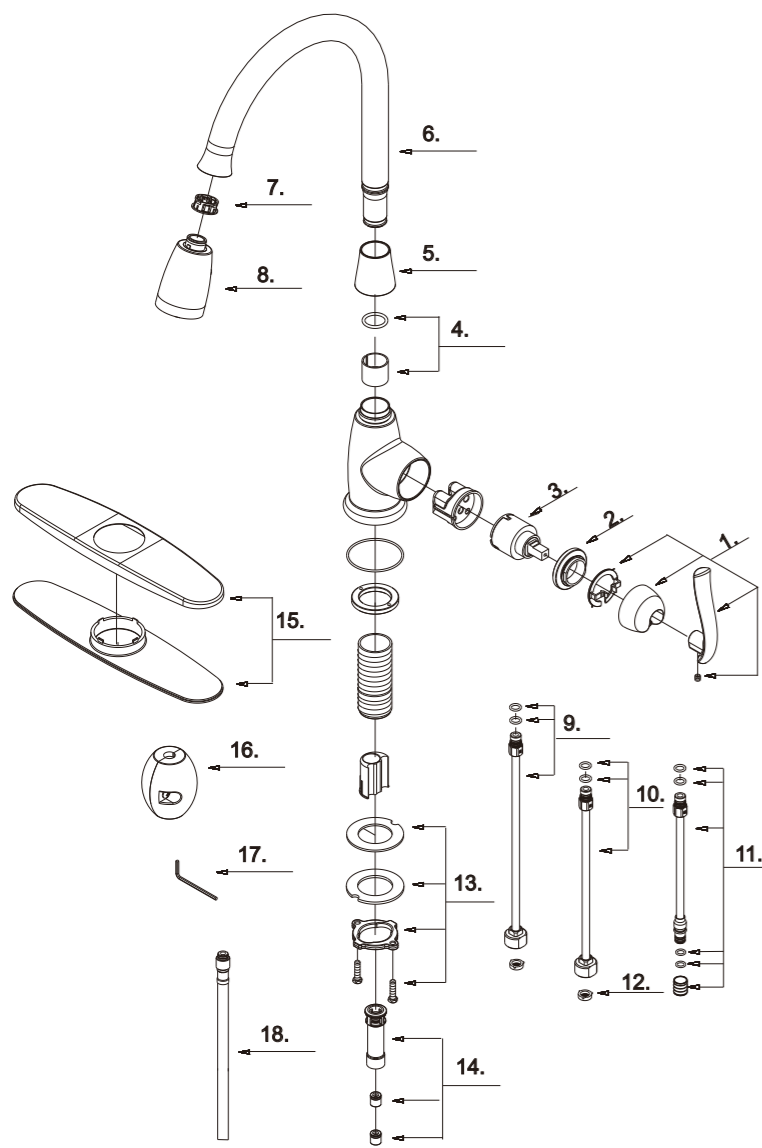


**Kräus<sup>®</sup>**

[www.kraususa.com](http://www.kraususa.com)

## Replacement Parts

Keep this manual for ordering replacement parts.



- 1 Metal Handle Assembly
- 2 Locking Nut
- 3 Ceramic Disc Cartridge
- 4 Spout Seal Kit
- 5 Spout Base
- 6 Spout
- 7 Hose Guide
- 8 Hand Spray w/Check Valve
- 9 Supply Pipe-Hot
- 10 Supply Pipe-Cold
- 11 Supply Pipe
- 12 Screen Washer
- 13 Mounting Hardware
- 14 Hose Adaptor Assembly
- 15 Cover Plate & Putty Plate
- 16 Weight
- 17 Hex Wrench(H2.5 \* 19 mm L \* 53 mm L)
- 18 Supply Hose

## Trouble - Shooting

If you've followed the instructions carefully and your faucet still does not work properly, take these corrective steps.

Problem	Cause	Action
Leakage under the handle.	Adjusting ring or cap has come loose.	Tighten the adjusting ring or cap.
Aerator leaks or has an inconsistent water flow pattern.	Aerator is dirty or misfitted.	Unscrew the aerator to check rubber packing or replace the aerator.
Water will not shut off completely.	Dirty or worn out plastic washer in the cartridge.	Remove the handle and the cartridge to check if the ceramic dish is dirty or permanently damaged.

Contact Us Toll-Free at 1-800-775-0703; or visit our website at [www.kraususa.com](http://www.kraususa.com). © 2008-2009 Kraus USA Inc.

# Kräus®

Where Creativity Is Endless

Dear Valued Customer,

Kraus would like to take this opportunity to thank you for purchasing Kraus products. It is our sincere hope that you are completely satisfied with your new purchase. We welcome any questions or comments you may have, and look forward to assisting you in the future.

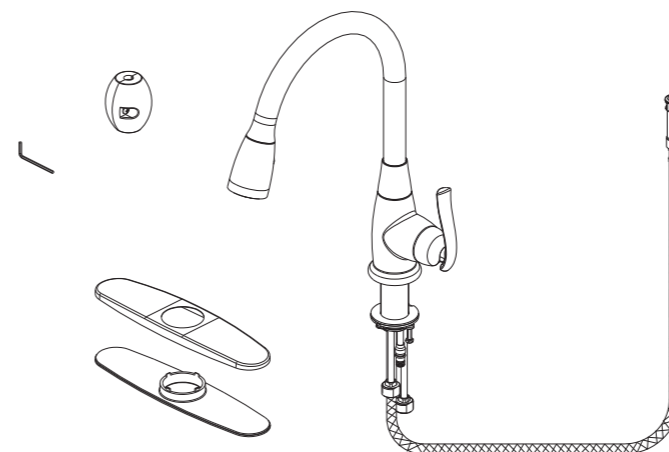
Sincerely,  
Kraus Customer Service Department.



## Single Control Kitchen Faucet

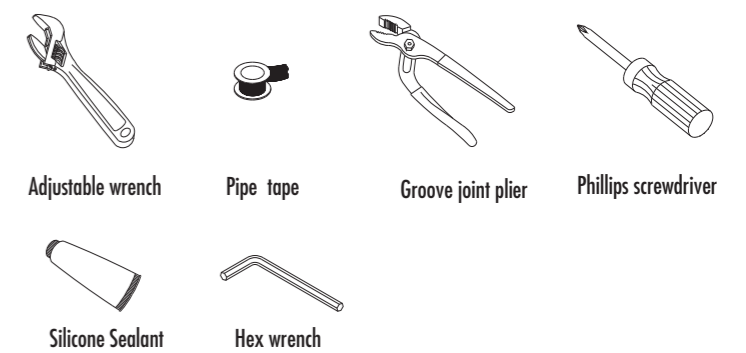
### Before Your Installation

Check to make sure you have the following parts indicated below:



Model
KPF-2230 CH
KPF-2230 SN
KPF-2230 ORB

### Tools You Will Need



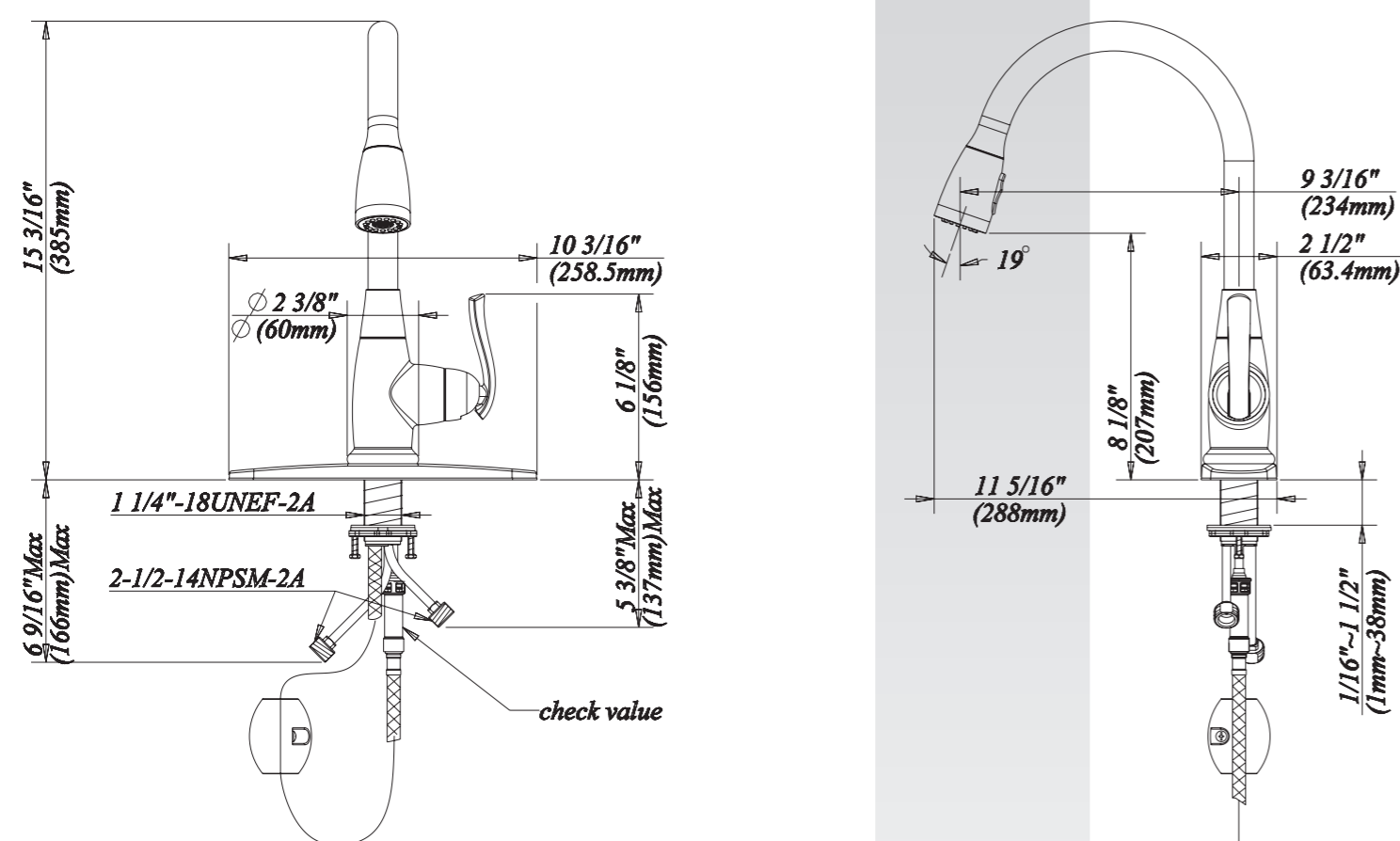
#### SAFETY TIPS

- Cover your drain to avoid losing parts.
- When installing flexible hose, please notice: there should be no torsion or deformation; do not fold into Shape V or L; do not use if there is any crack or deformation.

Contact Us Toll-Free at 1-800-775-0703; or visit our website at [www.kraususa.com](http://www.kraususa.com). © 2008-2009 Kraus USA Inc.

## Faucet Installation Procedure

Shut off main water supply before installation.

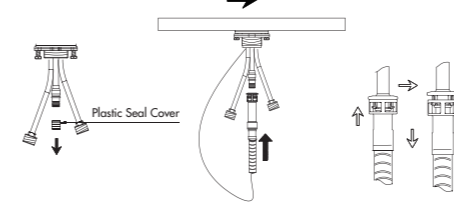


The fittings should be installed by a licensed plumber.

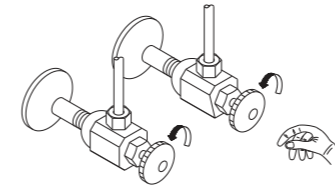
- 1 Remove preassembled mounting hardware from faucet
- 2 Position the cover plate and putty plate onto the sink, apply clear silicone sealant to putty plate. Install faucet body through top of sink. From underneath sink place mounting hardware and tighten with mounting nut.
- 3 Attach metal weight to hose to prevent hose from twisting and returns hose to proper position.

## MAINTENANCE

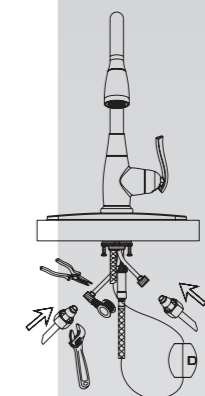
Your new faucet is designed for years of trouble-free performance. Keep it looking new by cleaning it periodically with a soft cloth. Avoid abrasive cleaners, steel wool and harsh chemicals as these will dull the finish and void your warranty.



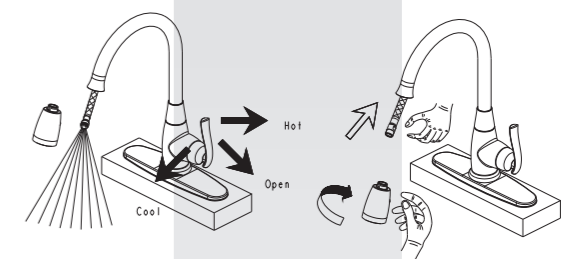
- 4 Remove the plastic seal cover from the outlet port prior to pushing the hose adapter onto the same port, you will hear a "click" sound once they are joined.



- 6 Open the water valve and check for leaks at supply line connection.



- 5 Tighten supply hose ends to faucet shank and water supply source. Note: Hand tighten the supply hose and then tighten 1/4 turn with adjustable wrench. Overtightening the supply hose can cause leaking. Purchase flexible supplies or bull-nose risers separately.



- 7 After installing faucet, remove pull-down spray and turn on water to remove any left over debris. Re-assemble spout.

## KRAUS® Brand Kitchen Faucets Limited Lifetime Warranty

KRAUS is proud to offer its customers the strongest, most durable ceramic cartridges in all solid brass Kitchen Faucets it manufactures. KRAUS guarantees all of our products to be free of defect in materials and craftsmanship. All KRAUS BRAND Kitchen Faucets carry a limited lifetime warranty from the original date of purchase.

If a product fails due to defect in material or craftsmanship during the warranty period, KRAUS will repair or replace the items at our sole discretion. Warranty does not apply when the item has been tampered with, misused, improperly installed, altered, or damaged due to abuse or accident. Proof of purchase (original sales receipt) must be provided to KRAUS for all warranty claims. Please contact one of our representatives if you need any additional details.

All KRAUS products must be installed by a licensed professional plumber or contractor to avoid any improper use or installation.

IN NO EVENT SHALL KRAUS BE LIABLE FOR ANY INCIDENTAL, CONSEQUENTIAL OR SPECIAL DAMAGES, INSTALLATION COST, LABOR, TRAVEL TIME, FREIGHT COSTS INCURRED, LOST PROFITS, OR CONTINGENT LIABILITIES.

KRAUS USA Inc. makes no representation that its products comply with any or all local building or plumbing codes. It is the consumer's responsibility to determine local code compliance.

This warranty extends to the original purchaser and first consumer.

## MAINTENANCE

Your new faucet is designed for years of trouble-free performance. Keep it looking new by cleaning it periodically with a soft cloth. Avoid abrasive cleaners, steel wool and harsh chemicals as these will dull the finish and void your warranty.



AB1953 Compliant

**Kräus®**

INSTALLATION MANUAL

## Soap Dispensers

KSD-30

KSD-33

KSD-35

KSD-41

KSD-42

SD-20

SD-25

## Thank you for your purchase

We would like to take this opportunity to thank you for choosing Kraus. We hope that you are completely satisfied with your purchase, and enjoy it for years to come. If you have any questions, or require technical assistance, please contact us at 800.775.0703 and one of our representatives will be happy to help.

For more information about Kraus products, please visit:

**[www.kraususa.com](http://www.kraususa.com)**

In order to activate your warranty and get faster access to customer support, please register your new Kraus product at:

**[www.kraususa.com/registration](http://www.kraususa.com/registration)**

*Sincerely,*

*Kraus USA Customer Service*

## **PRIOR TO INSTALLATION**

- Make sure you have all necessary parts by checking the diagram and parts list. If any part is missing or damaged, please contact Kraus Customer Service at 800-775-0703 for a replacement
- Pre-drilled hole size requirement: 1-1/4"
- Max countertop thickness without deck plate: 1-3/8"

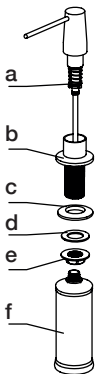
**For technical assistance or replacement parts, please contact Kraus Customer Service and one of our representatives will be happy to help:**

Toll-Free: 800.775.0703 or [Customerservice@kraususa.com](mailto:Customerservice@kraususa.com)

The step-by-step guidelines in the installation instructions are a general reference for installing a Kraus Sink. Should there be any discrepancies, Kraus cannot be held liable. It is recommended to install all Kraus products by hiring a licensed professional.



## GDA-1 Diagram and Parts List:



- a. Pump*
- b. Dispenser Base*
- c. Rubber Washer A*
- d. Rubber Washer B*
- e. Mounting Nut*
- f. Dispenser Bottle*

### TOOLS REQUIRED:

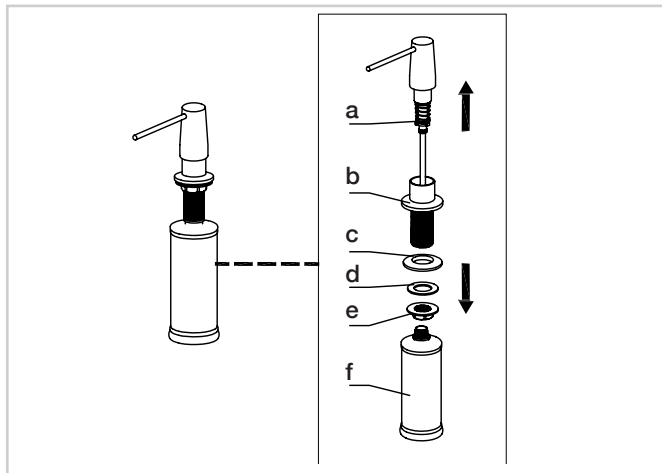


\*Adjustable Wrench

## Step 1

---

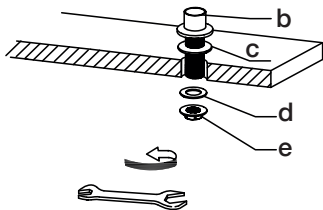
Disassemble soap dispenser



## Step 2

---

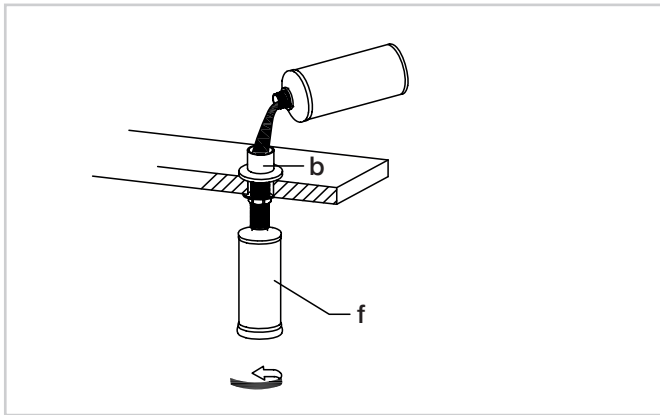
Install dispenser base (b) with rubber washer A (c) attached into the hole in the countertop. Re-install rubber washer B (d) and mounting nut (e) on the dispenser base (b) from underneath the countertop. Tighten mounting nut (e) with adjustable wrench until snug



### Step 3

---

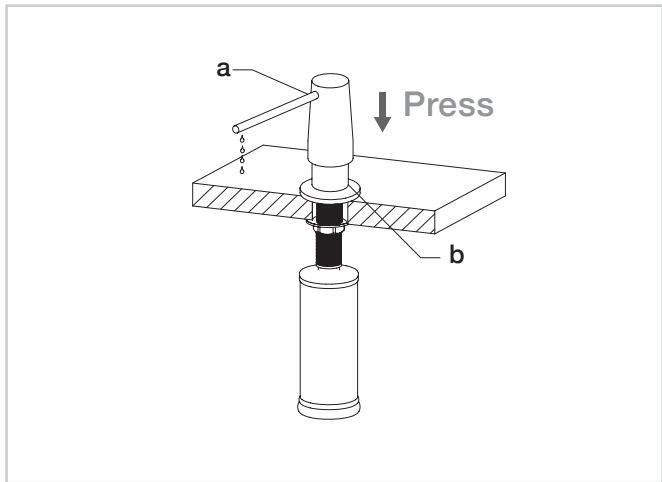
Screw the dispenser bottle (f) to the dispenser base (b) from underneath the countertop. Tighten as required. Fill the dispenser bottle (f) from the top with 12 ounces of soap



## Step 4

---

Insert pump (a) into dispenser base (b) from the top. Press the pump several times to make sure soap is evenly distributed



## HELP LINE

Our customer service hours are Monday – Friday, 9am – 8pm EST.

Be sure to visit our website at [www.kraususa.com](http://www.kraususa.com)

---

**If you are a HOMEOWNER please contact a Kraus Customer Service Representative at:**

Kraus USA, Inc.  
12 Harbor Park Drive  
Port Washington, NY 11050  
Toll-free 800-775-0703  
[Customerservice@kraususa.com](mailto:Customerservice@kraususa.com)

**If you are a PLUMBING CONTRACTOR OR TRADE PROFESSIONAL please contact a Kraus Pro Representative at:**

Kraus USA, Inc.  
12 Harbor Park Drive  
Port Washington, NY 11050  
516-801-8955  
[Proservice@kraususa.com](mailto:Proservice@kraususa.com)

**If you are an AUTHORIZED PARTNER please contact a Partner Support Representative at:**

Kraus USA, Inc.  
12 Harbor Park Drive  
Port Washington, NY 11050  
516-801-8954  
[Partnersupport@kraususa.com](mailto:Partnersupport@kraususa.com)

---

**In requesting warranty service, please be ready to provide:**

1. Proof of purchase.
2. A description of the problem.



Kräus®

[www.kraususa.com](http://www.kraususa.com)



REGISTER YOUR PRODUCT TODAY



**Receive** Proof of Ownership

**Access** Customer Care & Installation Help

**Get** Exclusive Kraus Offers & Promotions

Scan to Register Online or visit  
<http://www.kraususa.com/registration>

**We're always looking for ways to improve.**

Please take a moment to share your experience.

Visit <http://www.kraususa.com/review> to let us know what you think about your new Kraus product.

Contact Us to Learn More

1.800.775.0703 / [www.kraususa.com](http://www.kraususa.com) / [customerservice@kraususa.com](mailto:customerservice@kraususa.com)

Like & Follow KrausUSA

Download the Kraus Care & Maintenance Guide at:

<http://www.kraususa.com/maintenance>



**Kräus<sup>®</sup>**

[www.kraususa.com](http://www.kraususa.com)