

SPECIFICATIONS

CAPE ANNE™ TWO HANDLE CENTERSET LAVATORY FAUCET

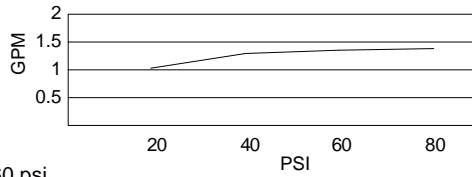
Model

D301026

Description

- Ceramic disc cartridges
- Metal lever handles
- 4 ½" high spout, 5 ½" spout length
- 1.5GPM (5.7LPM) pressure compensating aerator @ 60 psi
- 3 hole mount
- 50/50 touch down drain assembly

Flow Rate



Standards



Certified to NSF/ANSI 61 Section 9

- NSF 61-9
- Energy Policy Act of 1992



NSF/ANSI 372

- ASME A112.18.1M/A112.18.1
- NSF/ANSI 372



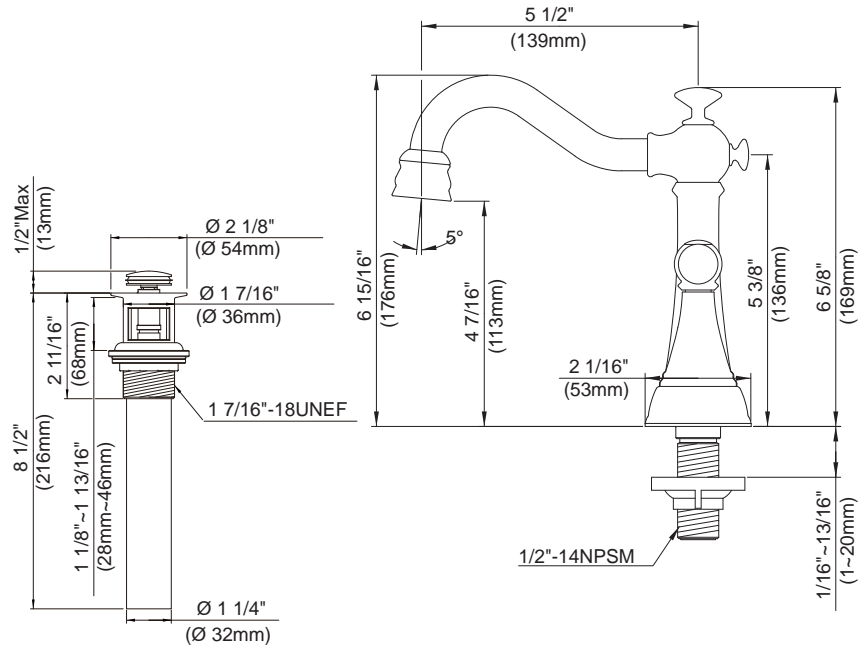
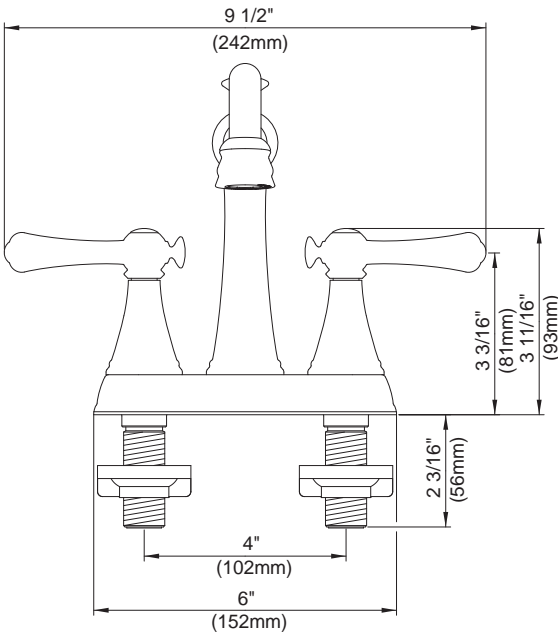
- ADA Accessibility Guidelines for Buildings and Facilities - 4.27.4 Controls and Mechanisms

Finishes Available

- Chrome
- Other: Refer to Price List for additional finish

Warranty

Danze products are covered by a manufacturer's limited "lifetime" warranty for manufacturing defects.



Submittal Information:

Job Name: _____

Location: _____

Contractor: _____

Contact #: _____