

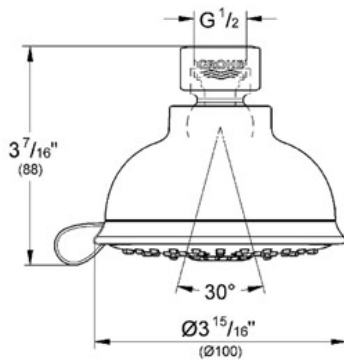
NEW TEMPESTA RUSTIC 100 Shower head IV

MODEL # 26045

Pure Freude an Wasser

GROHE

GROHE America, Inc | 200 North Gary Avenue, Suite G, Roselle, IL 60172
Phone: +1 (800) 444-7643 | Fax: +1 (800) 225-2778 | us-customerservice@grohe.com



Product Description: Shower head IV

Standard Specification:

- GROHE StarLight® finish
- GROHE DreamSpray® perfect spray pattern
- GROHE EcoJoy® technology for less water and perfect flow
- SpeedClean anti-lime system
- Inner WaterGuide for a longer life
- 4 spray patterns: Rain, GROHE Rain O2, Massage & Jet
- Suitable for instantaneous heater
- Handshower (4")
- Rotating ball joint $\pm 15^\circ$
- Blister pack
- Min. recommended pressure 14.5 PSI
- Max Flow Rate 2.0 gpm (7.6 L/min)

Applicable Codes & Standards:

- Energy Policy Act of 1992
- ASME A112.18.1/CSA B125.1
- CalGreen

Color:

- 26045 000 chrome
- 26045 EN0 Brushed Nickel