

# KHU100-32

32 Inch Undermount Single Bowl 16 Gauge  
Stainless Steel Kitchen Sink  
Satin Finish



**Material**

16 Gauge Stainless Steel

**Minimum Cabinet Size**

Undermount : 36"

**Installation Type**

Undermount

**Dimensions**

Sink Dimensions: 32" x 19" x 10"

**Bowl Type**

Single Bowl Sink  
Handmade

**Accessories Included**

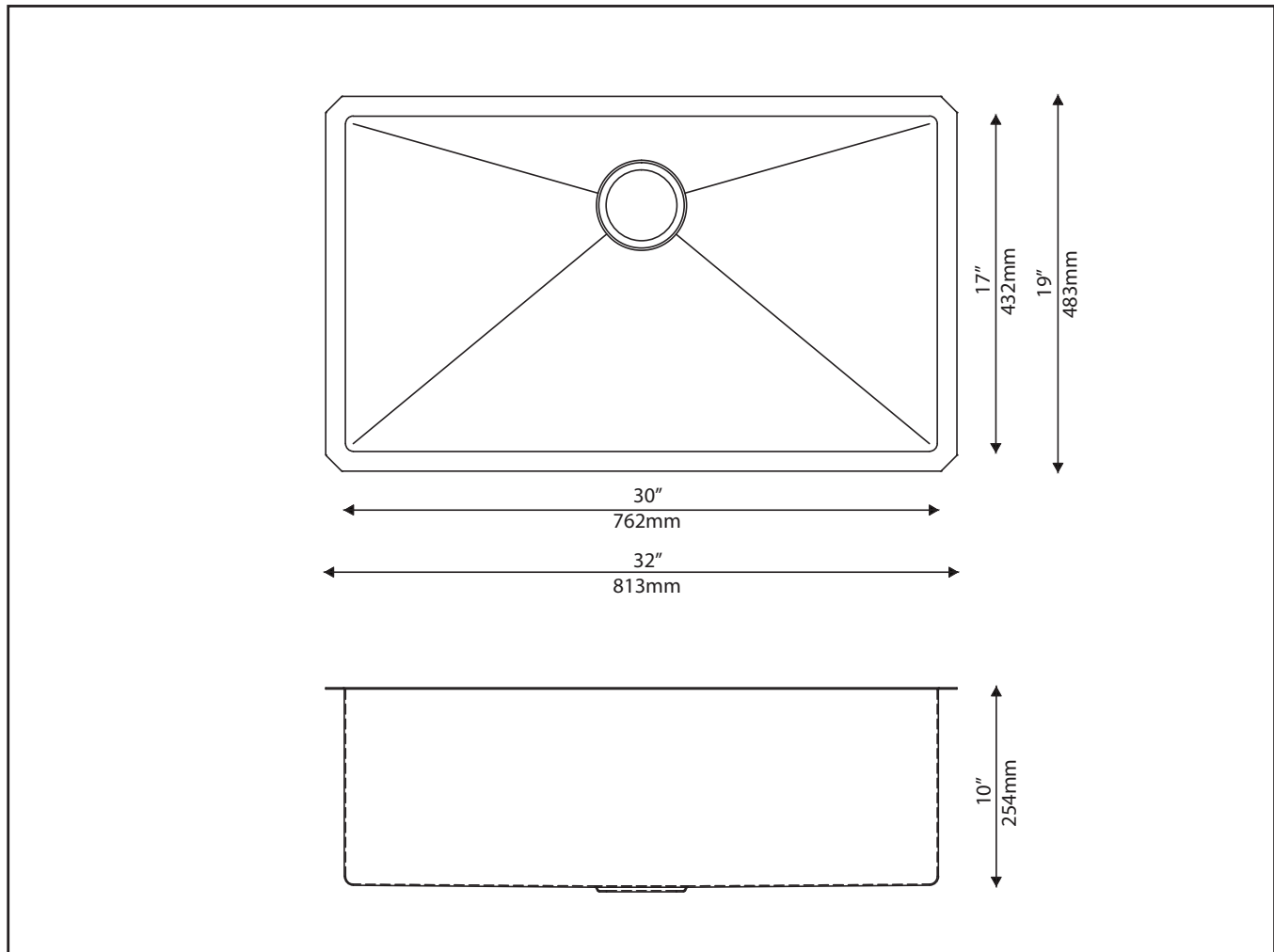
KBG-100-32, BST-1, Mounting Hardware, Tem-  
plate, Towel

**Technology**

Noise Defend

Kraus Limited Lifetime Warranty: See website for details [www.kraususa.com](http://www.kraususa.com)

1.800.775.0703 / [customerservice@kraususa.com](mailto:customerservice@kraususa.com)



# KPF-1622

## Single Lever Pull Out Kitchen Faucet

Chrome / Satin Nickel Finishes

# Kräus®

SPECIFICATION SHEET

### Material

Body: Brass  
Handle: Zinc  
Sprayer: Brass  
Waterway: Braided Nylon

### Spout

Swivel: 360  
Design: Full Body  
Pull Down

### Sprayhead

Flow Rate: 1.5 gpm (5.7L/min) @ 60 psi  
Aerator: Neoperl/1.5GPM  
Name: Perlator Honeycomb  
Function: Stream

### Hose

Type: Haoyamei

### Cartridge

Brand: Kerox  
Size: 35mm  
Style: Lever

### Mounting

Holes: 1 Hole  
Type: Brass Nut

### Waterlines

Type : Haoyamei, 600mm  
Flexible  
Connections: 3/8"  
Materials: Braided Stainless Steel  
Included

### Dimensions

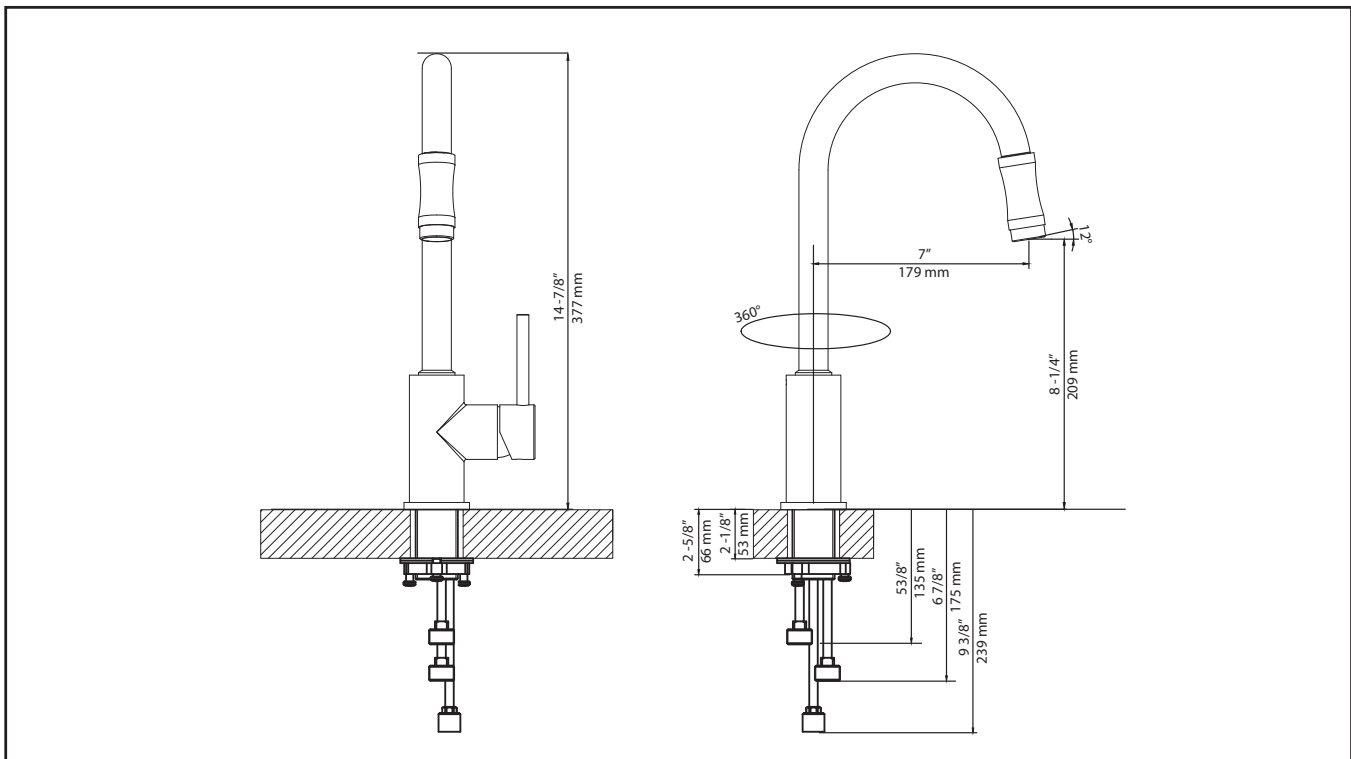
Faucet Dimensions: 14 7/8" x 7" x 2"  
Handle Clearance: 2 3/4"

### Accessories Included

Weight, Hex Wrench

Kraus Limited Lifetime Warranty: See website for details [www.kraususa.com](http://www.kraususa.com)

1.800.775.0703 / [customerservice@kraususa.com](mailto:customerservice@kraususa.com)



Codes/Standards: Meets ASME A112.18.1/CSA B125.1, NSF/ANSI Standard 61 certified by IAPMO, NSF/ANSI Standard 372 certified by IAPMO, CAL GREEN, CEC, DOE, ADA

REV. August 16, 2016

# KSD-30

## Soap Dispenser

# Kräus®

SPECIFICATION SHEET

### Finish

- Chrome
- Oil Rubbed Bronze
- Satin Nickel
- Black

### Material

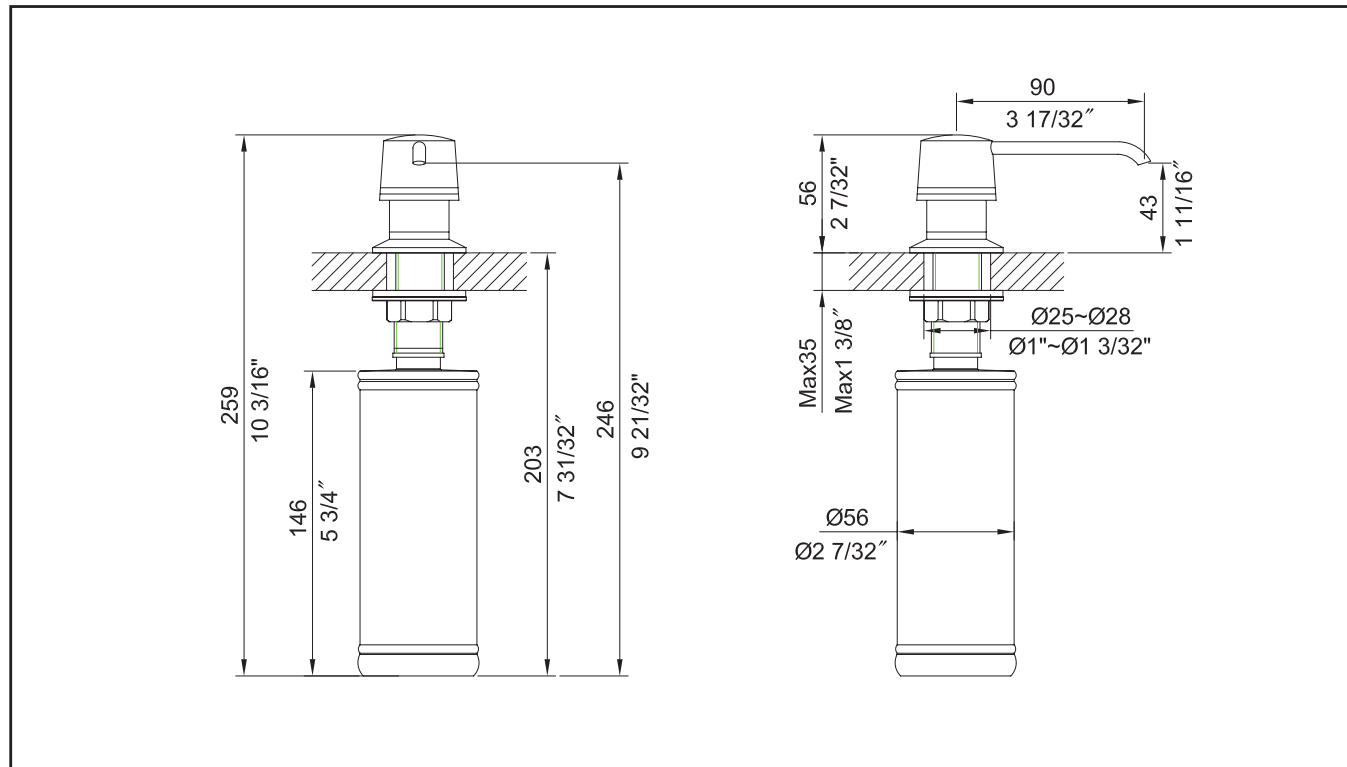
Brass

### Features

- Solid Brass Construction
- Self-Priming Pump
- Refillable from Above
- Holds up to 14 oz. of Liquid
- Pump: 2-7/32"
- Spout: 3-17/32"

Kraus Limited Lifetime Warranty: See website for details [www.kraususa.com](http://www.kraususa.com)

1.800.775.0703 / [customerservice@kraususa.com](mailto:customerservice@kraususa.com)



REV. August 18, 2016