



**MODEL-KHU-100-32**

## Product Description and Measurements

### *Kitchen stainless steel sink*

- ★ Exclusive Kraus Collection
- ★ 16 Gauge Stainless Steel
- ★ 32" X 19" X 10"
- ★ Single Bowl under mount kitchen sink



In Accordance with Industry Codes & Standards for USA & Canada  
All Kraus Stainless Steel Kitchen Sinks are Certified & Listed By cUPC.



## Thank You

Dear Valued Customer,  
Kraus would like to take this opportunity to thank you for this purchase. It is our sincere hope that you are completely satisfied with your new product. We welcome any questions or comments that you may have and look forward to assisting you with your accessory needs in the future.

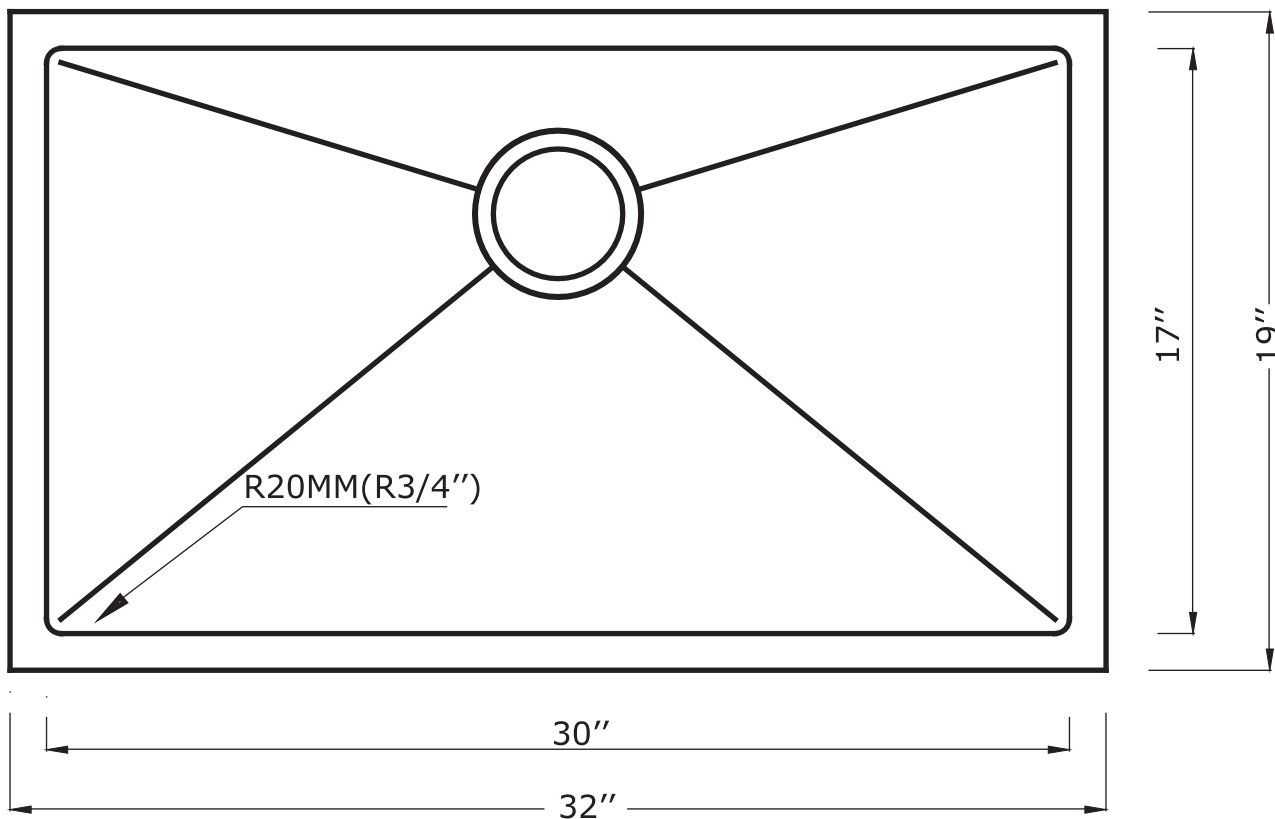
Sincerely,  
Kraus customer service department.

## Prior To Installation Steps

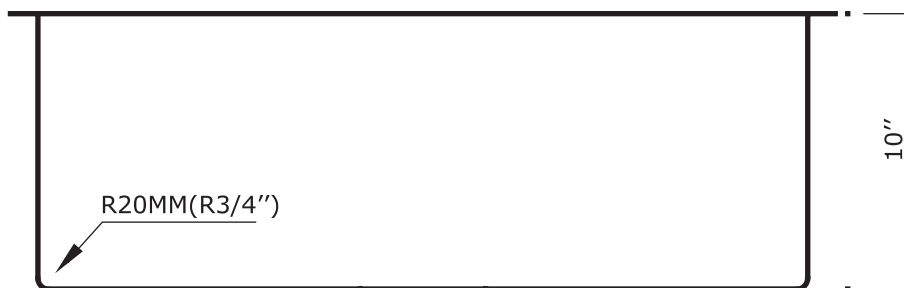
1. Unpack your new product and ensure that all the parts are contained in the packaging.
2. Keep the product in its original box until you ready to install it.
3. The counter top must be flat.
4. Shut off the water supply if replacing a previously-installed vessel sink.
5. Observe all plumbing and building codes in your area.
6. It is recommended that installation of the product be done by a professional plumber.



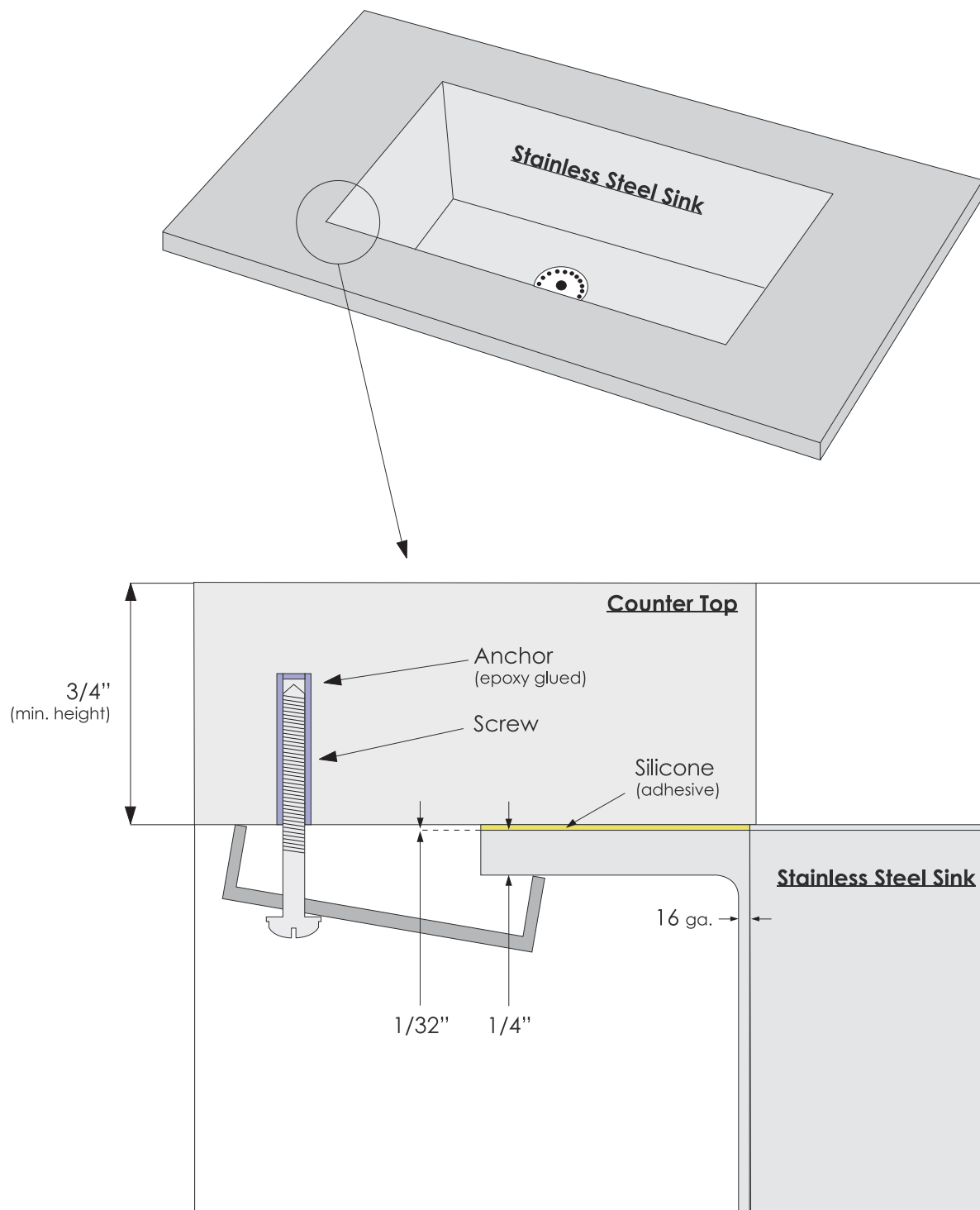
### Rough-In Dimensions



### Diagram



## Under mount sink installation





## Product Use & Care

### A Kraus Guide to Use and Care of Stainless Steel Sinks

#### "The Do's"

- When it comes to maintenance, the best thing you can do is be consistent in your cleaning. It is preferable to clean a little on a frequent basis than a heavy duty cleaning once in a while.
- You should make sure that the sink is always clean and dry when not in use. This is the best method of preventative maintenance. Keep the sink water spot free and shiny by rinsing and towel drying after every use.
- Keep the single clog free to prevent standing water which can lead to mineral deposit build up.
- If a mineral build up should occur, use a mixture of vinegar and hot water to remove the deposit.
- To clean your sink, use a non abrasive cleaning cloth combined with a mild cleaning procedure.
  - Use a soft cloth and liquid detergent on a mirror finish deck.
  - **DO NOT USE ANY ABRASIVE MATERIALS ON A MIRROR FINISH.**
  - For tougher stains use a mild abrasive cleaner like Ajax or Comet.
- Wipe the sink dry after cleaning to discourage any water spotting.
- Follow the direction of the grain when cleaning or scrubbing away stains. Scrubbing against the grain will show as a scratch.

#### "The Don'ts"

- Avoid using any abrasive steel wood pads as they will leave an iron residue that will eventually lead to rust and corrosion.
- Do not leave any steel or cast iron cookware in the sink for a long period of time. This may also leave iron particles that will corrode the sink
- Do not leave any cleaning materials such as sponges or rags in the sink for an extended period of time. Anything left in the sink can trap moisture which will eventually lead to staining
- Avoid using any abrasive cleaning materials such as steel wool pads on the polished finish of the sink, this will lead to scratching.

## About Kraus

Kraus is a leading designer and manufacturer of a broad selection of unique bathroom fixtures and accessories, including vessel sinks, faucets, showers, vanities and bathroom accessories. Kraus incorporates its distinguished style with superior functionality and affordability maintaining the highest standards of quality in its vast product line.

The Kraus brand name represents a fusion of leading-edge technology and an eye toward design. Our design team continuously explores broader markets, seeking new trends while maintaining superior quality at unprecedented prices. The Kraus collection has the widest selection of exquisite styles for any type of décor, ranging from modern residences to countryside homes.

For Kraus, durability and reliability have always been vital components for achieving the highest standards of excellence. Every model we offer undergoes rigorous testing and inspection prior to distribution.

The key element of our success is our customers' satisfaction. As a result, our products are in high demand with shoppers worldwide.

The logo features the word "Kraus" in a white, serif font on a black background. The letter "K" is stylized with a vertical line through its center. Above the "a" are three small, white, teardrop-shaped icons. A registered trademark symbol (®) is located to the upper right of the "s".

**Kraus<sup>®</sup>**

INSTALLATION MANUAL

# Single Lever Pull-Out Kitchen Faucet

KPF-1621

## **Congratulations on your new Kraus purchase!**

We would like to take this opportunity to thank you for your business with Kraus USA. It is our sincere hope that you are completely satisfied with your Kraus experience. We welcome any questions or comments you may have, and look forward to assisting you in the future.

For more information about Kraus products, please visit our website at:  
**[www.kraususa.com](http://www.kraususa.com)**.

In order to allow us to serve you better, we recommend registering your new Kraus product at: **[www.kraususa.com/product-registration](http://www.kraususa.com/product-registration)**

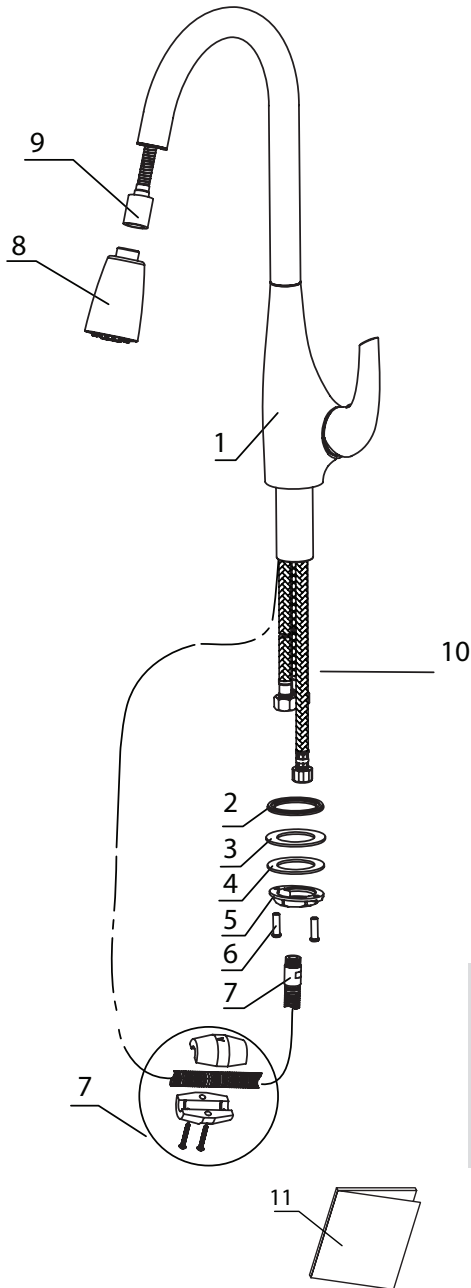
*Sincerely,*

*Kraus Customer Service Department*

## Prior to Installation

- Make sure that cold and hot water lines are turned off
- Wrap all threaded connections with Teflon tape. Always wrap in a clockwise direction
- Cover your drain to avoid losing parts
- Do not disassemble the main faucet body, as it has been installed & commissioned correctly & precisely before delivery from the factory
- To keep the faucet from jamming, flush the water pipe before installation
- Using condition: Working pressure at 0.05-1.0MPa (including cold & hot water pressure) with applicable water temperature: 4°C-90°C
- After installation, make sure every joint is safely sealed and that there is no leaking
- Make sure to correct the hot/cold inlet pipe correctly: if facing faucet, hot water pipe connects on the left and cold water pipe connects on the right

# KPF-1621 Diagram and Parts List



## Included Parts:

1. Faucet Body
2. Base O-Ring
3. Rubber Washer
4. Metal Washer
5. Mounting Nut
6. Mounting Screws (2)
7. Weight
8. Spray Head
9. Spray Hose
10. Hot and Cold Waterlines (2)
11. Manual

## Tools you will need:



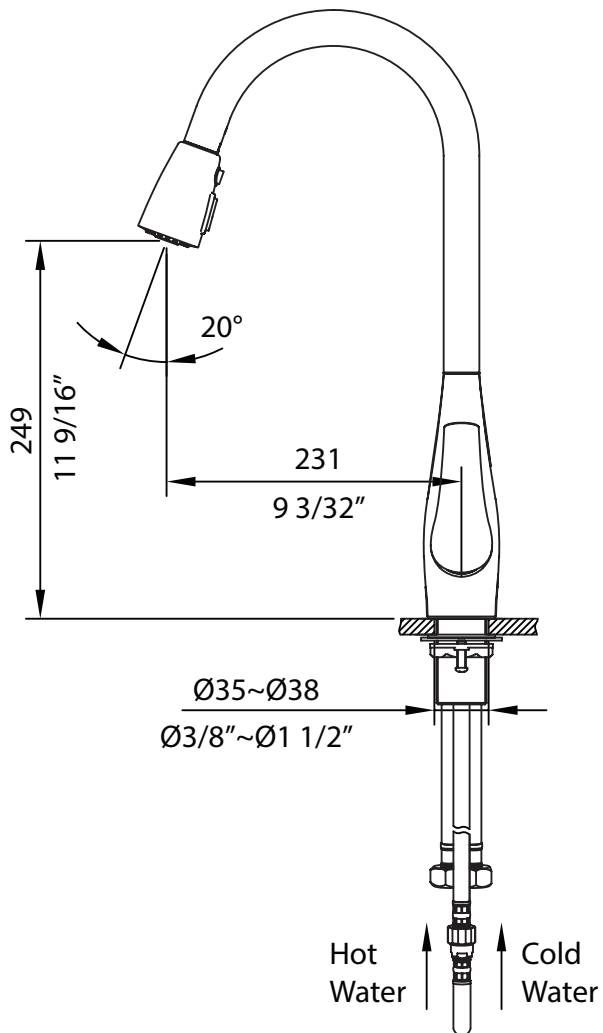
Wrench



Phillips Screwdriver



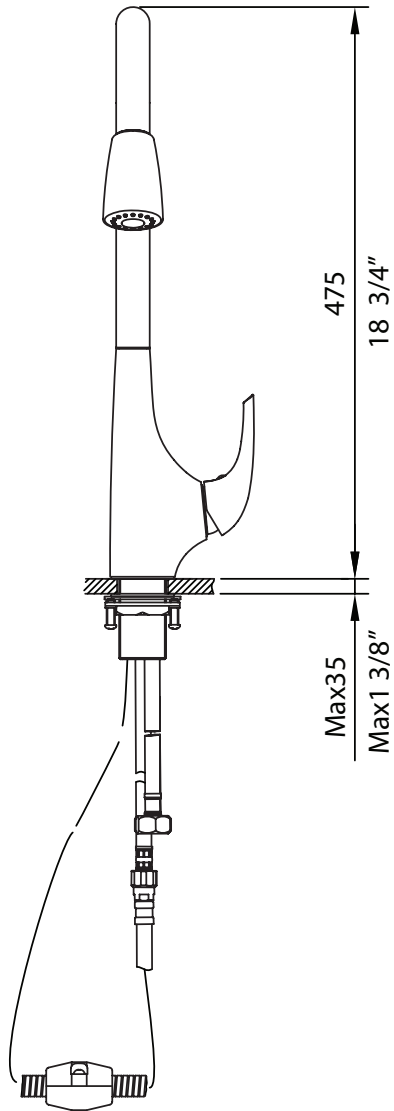
## Dimension Drawings



### Safety Tips

- If soldering the water connections when installing the faucet, remove the O-rings, cartridges, and washers before applying any heat
- Protect your eyes with safety glasses when cutting or soldering

## Dimension Drawings



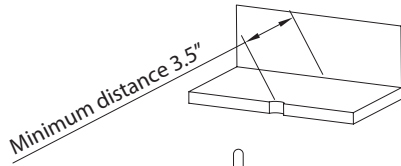
### Safety Tips

- Do not overtighten fixing screws/nuts. Tighten finger-tight, then use a wrench/screwdriver to tighten the fixing screw/nut until snug

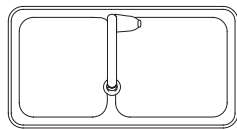
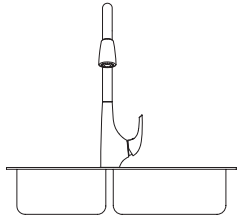
# Faucet Installation Methods

## Installation Method 1

---

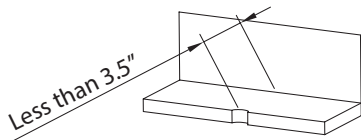


The minimum distance between the faucet hole and the wall should be 3.5"

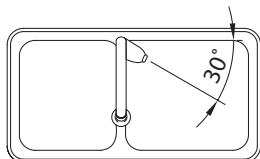
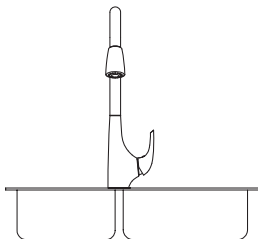


## Installation Method 2

---

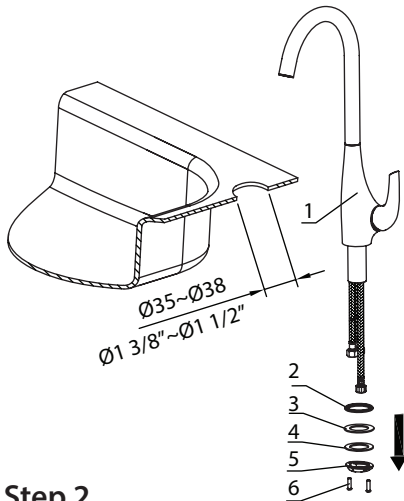


If the distance between the faucet hole and the wall is less than 3.5", position the faucet lever 30 degrees to 90 degrees off of the wall to allow for full operation



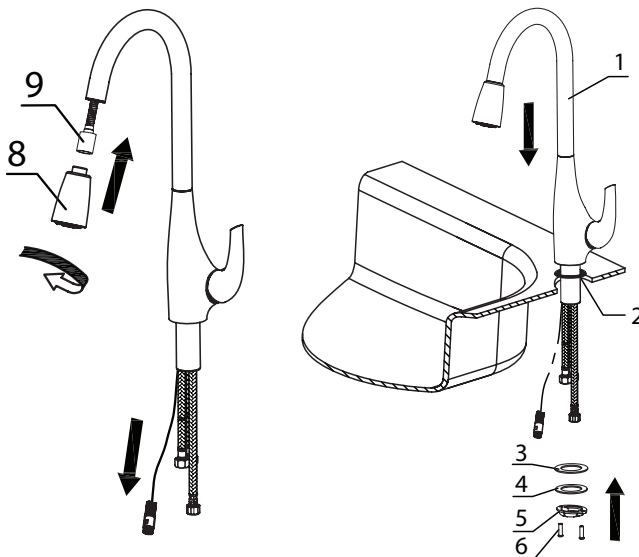
## Faucet Installation Steps

### Step 1



Remove mounting screws (6), mounting nut (5), metal washer (4), and rubber washer (3) from the faucet body (1)

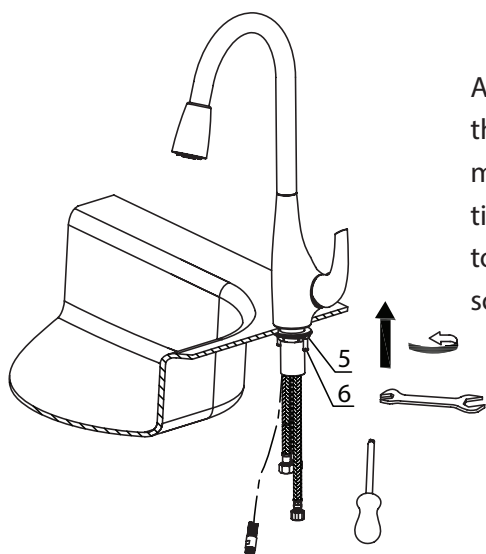
### Step 2



Connect spray head (8) to spray hose (9) and tighten firmly. Insert the faucet body (1) into the hole on the deck with the base o-ring (2), and then install the rubber washer (3), metal washer (4), mounting nut (5) and mounting screws (6) from underneath the sink

### Step 3

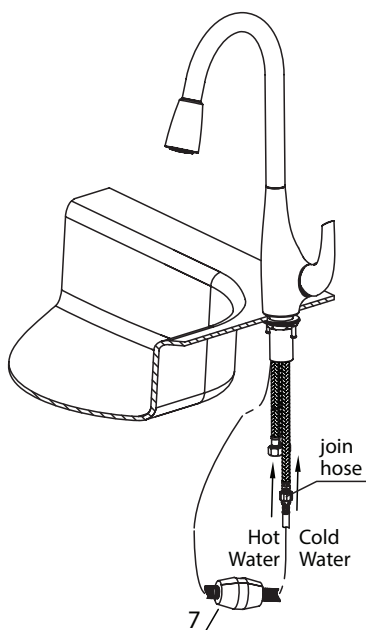
---



After adjusting the direction of the faucet body(1), tighten the mounting nut (5) until snug and tighten the mounting screws (6) to the nut with a Philips head screwdriver

### Step 4

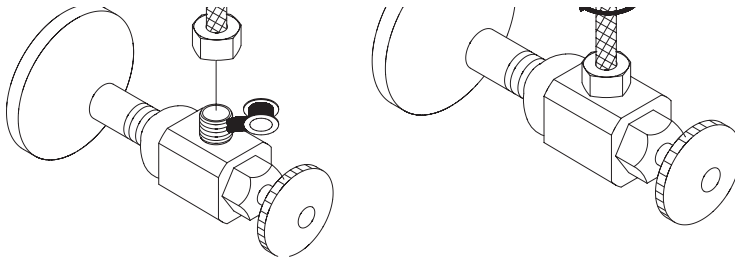
---



Connect the spray hose (9) to the supply line and tighten with a wrench until snug, then install the weight (7) at the lowest point (horizontally) on the spray hose (9)

## Step 5

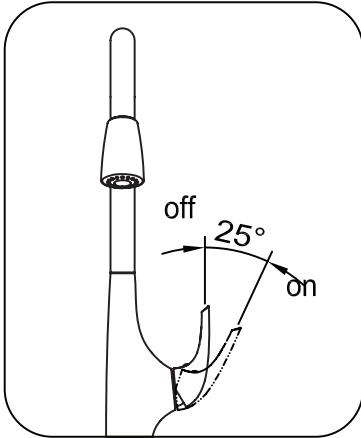
---



Connect hot and cold waterlines (10) to the angle stops and tighten with a wrench until snug, then unscrew spray head (8), hold the tip of the spray hose (9) and turn on the faucet to flush any debris

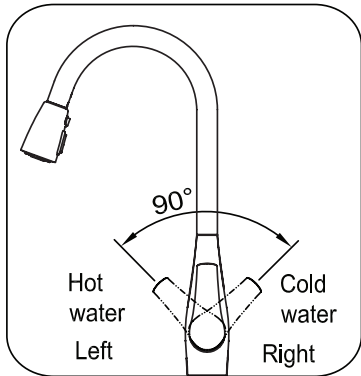
# Usage

## How to Operate the Handle



1. Pull the lever to the right to turn on the water. Push to the left to turn off

2. Pull the lever forward to increase hot water flow and push the lever back to increase the cold water flow



## Care & Maintenance

\*To keep the product clean & shining, follow the steps below:

1. Rinse clean with water & dry with a soft cloth
2. Do not clean with soaps, acid, polish, abrasives, or harsh cleaners
3. Do not use cloth with a coarse surface
4. Unscrew the aerator and clean when necessary



\*This installation manual is subject to change without further notice



## Trouble - Shooting

If you have followed the instructions carefully and your faucet still does not work properly, take the following corrective steps:

PROBLEM	CAUSE	ACTION
Leakage under the handle	Locking nut has come loose	Remove the index button at the top of the handle. Loosen set screw with a hex wrench. Remove the handle and unscrew trim cap by hand. Tighten locking nut with an adjustable wrench
Water will not shut off completely	Cartridge may be defective	Remove the index button at the top of the handle. Loosen set screw with a hex wrench. Remove the handle and unscrew trim cap by hand. Unscrew the locking nut with an adjustable wrench. Remove ceramic disc cartridge. Check for cracks
Leaking between spray head and the hose	Spray head may be loose or washer is not seated correctly in the hose connection	Tighten the spray head by hand until snug. Make sure the washer is seated correctly

## **Codes/Standards Applicable:**

Specified model meets or exceeds the following: ANSI/ASME A112.18.1, cUPC, AB1953

## **KRAUS LIMITED LIFETIME WARRANTY**

This product has been manufactured and tested to the highest quality standards by Kraus USA Inc. ("Kraus"). We offer our customers thoughtfully crafted fixtures & accessories, engineered for enduring performance over years of use.

### **WHO IS COVERED BY THE WARRANTY**

This warranty extends to the original purchaser only. This warranty is not transferable, between homes or owners and is only applicable to residential use.

### **WHAT IS COVERED BY THE WARRANTY**

Kraus warrants this product against defects due to material or craftsmanship error during the warranty period: Kraus will provide replacement parts at no charge, or at its option, replace any product or part of the product that is deemed defective, under normal installation, use, service and maintenance. If Kraus is unable to provide a replacement and repair is not practical or cannot be made in timely fashion, Kraus may elect to refund the purchase price in exchange for the return of the product.

### **CONDITIONS AND EXCLUSIONS**

Like other home fixtures, Kraus products will require light maintenance to ensure proper function. We provide you with complete knowledge to perform this maintenance and can also recommend resources if you are unable to fulfill this service.

**A.** Kraus will not be responsible for product failures due to lack of maintenance or proper use. Please read your care and maintenance documentation to determine the limits of proper use.

**B.** The original sales receipt, order number, and/or proof of purchase must be presented at the time of the warranty claim, without exception, for this warranty to be applied to all Kraus products.

C. Kraus recommends installing all Kraus products with a licensed, professional plumber. Kraus will not be held responsible for any damage or product failure due to improper installation, misuse, or failure to use a licensed professional. Please read your care and maintenance documentation to determine the limits of proper use.

D. Commercial use will automatically void this warranty.

E. This warranty is not applicable to Kraus products purchased from an unauthorized seller. For a complete list of authorized sellers please visit <http://www.kraususa.com/where-to-buy.html>

## **NON-APPLICABILITY OF THIS WARRANTY**

By the purchase and use of our products, you agree that Kraus is not liable for incidental, consequential or special damages associated with the return, replacement, installation or use of your product. This includes freight costs, cartridge replacement, labor, travel time, lost profit, home damages and other contingent liabilities and costs (including, without limitation, costs associated with experts, investigations, analyses, attorneys and other professionals and services). The Kraus warranty is a comprehensive and explicit limit of liability, and all items outside of it are not addressable by or the responsibility of Kraus. Certain states have variances regarding implied warranties and in those situations we remain fully compliant.

KRAUS USA Inc. makes no implication that products comply with any or all local building or plumbing codes. It is the consumer's responsibility to determine local code compliance. This warranty extends to the original purchaser and first consumer.

---

## **HELP LINE**

For additional assistance at any point in the installation process, please call us at 1.800.775.0703 or email us at [info@kraususa.com](mailto:info@kraususa.com)

Our customer service hours are Monday – Friday, 9am – 8pm EST.  
Be sure to visit our website at [www.kraususa.com](http://www.kraususa.com).

Kräus<sup>®</sup>

[www.kraususa.com](http://www.kraususa.com)



Dear Valued Customer,

Kraus would like to take this opportunity to thank you for purchasing Kraus products. It is our sincere hope that you are completely satisfied with your new purchase. We welcome any questions or comments you may have, and look forward to assisting you in the future.

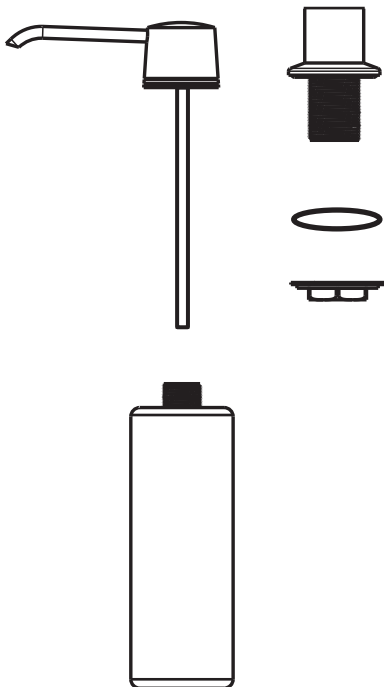
Sincerely,  
Kraus customer service department.



# Soap Dispenser

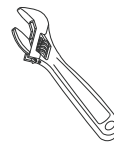
## Before Your Installation

Check to make sure you have the following parts indicated below:



MODEL
SD-30-CH
SD-30-SN
SD-30-ORB

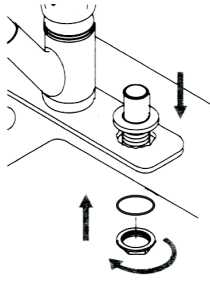
## Tools You Will Need



Adjustable wrench

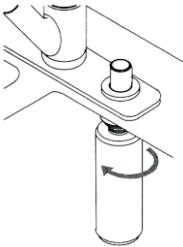
# Soap Dispenser Installation Procedure

1



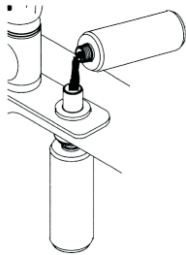
Attach nut and washer to container threads. Insert container through hole below sink. Position concealment flange and secure with dispenser base.

2



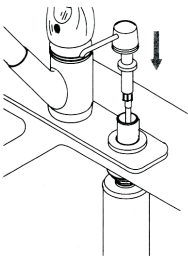
Tighten nut.

3

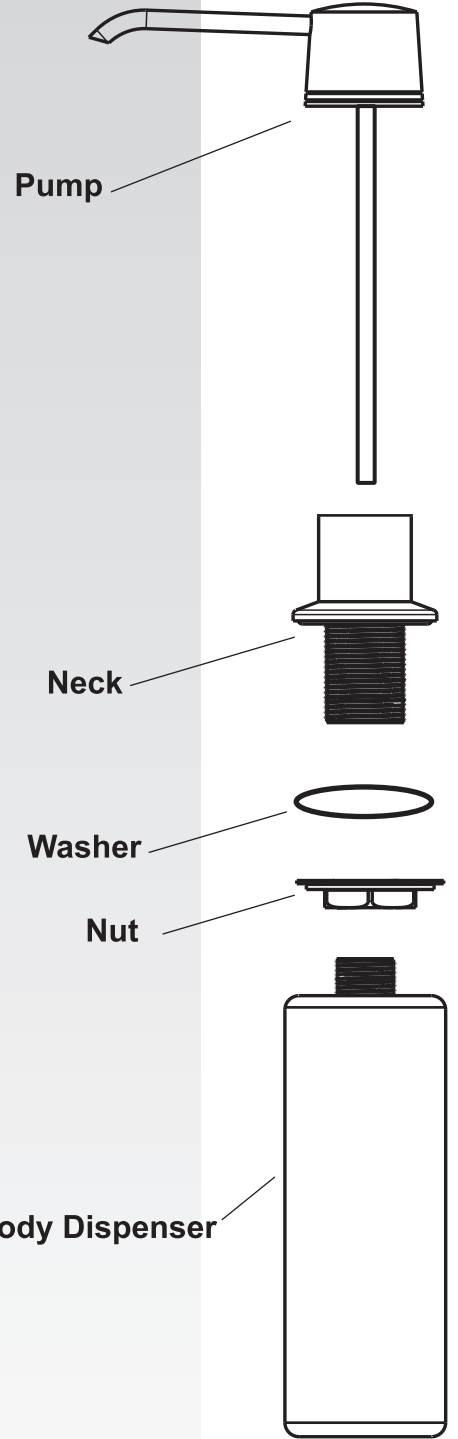


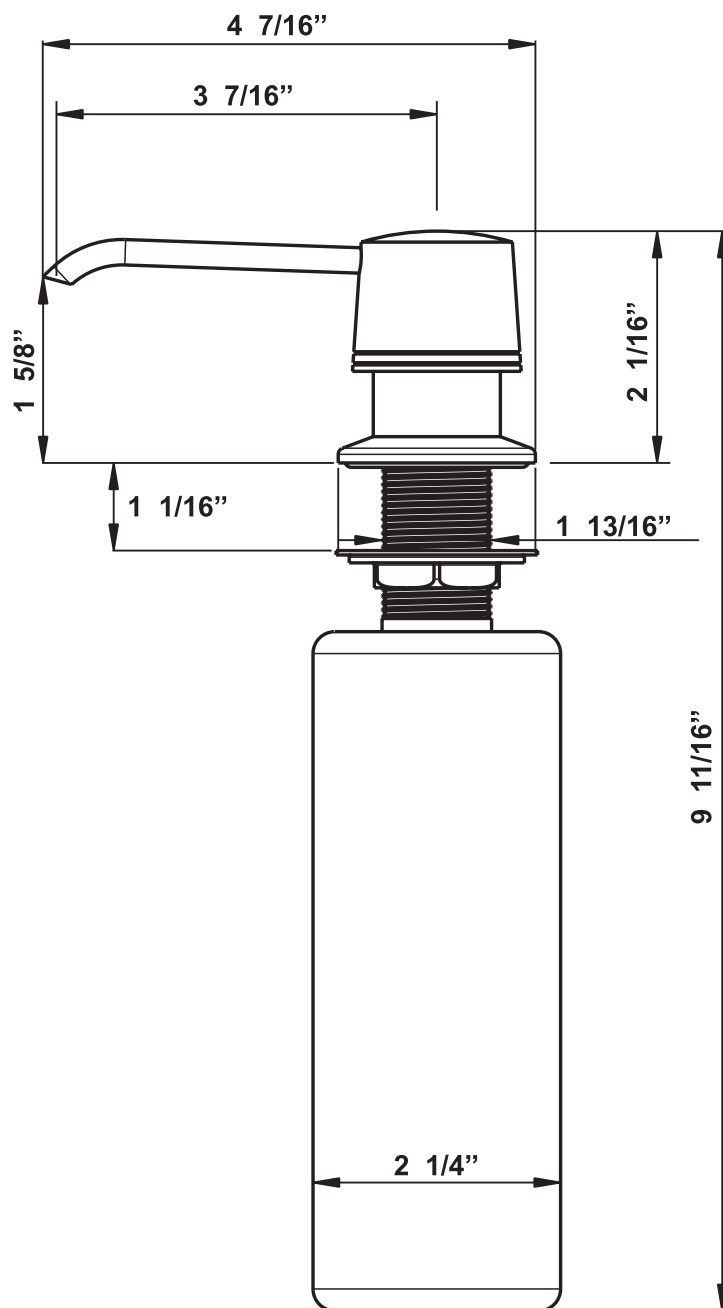
Fill container with approximately 8-10oz. of soap or lotion.

4



Insert pump.





## About Kraus

Kraus is a leading designer and manufacturer of a broad selection of unique bathroom fixtures and accessories, including vessel sinks, faucets, showers, vanities and bathroom accessories. Kraus incorporates its distinguished style with superior functionality and affordability, maintaining the highest standards of quality in its vast product line.

The Kraus brand name represents a fusion of leading-edge technology and an eye toward design. Our design team continuously explores broader markets, seeking new trends while maintaining superior quality at unprecedented prices. The Kraus collection has the widest selection of exquisite styles for any type of décor, from modern residences to countryside homes.

For Kraus, durability and reliability have always been vital components for achieving the highest standards. Every model we offer undergoes rigorous testing and inspection prior to distribution. The key element of our success is our customers' satisfaction. As a result, our products are in high demand with shoppers worldwide.