

The logo features the word "Kraus" in a white, serif font with a registered trademark symbol (®) to the upper right. The letter "K" is stylized with three horizontal lines passing through its vertical stem. The letters "a" and "u" have three horizontal lines passing through them as well. The logo is set against a solid black rectangular background.

INSTALLATION MANUAL

# Kraus Stainless Steel Undermount Kitchen Sink

KBU10 / KBU11 / KBU12 / KBU14 / KBU15 / KBU16 /  
KBU17 / KBU21 / KBU22 / KBU23 / KBU24 / KBU25  
/ KBU26 / KBU27 / KBU28 / KBU29

## Thank you for your purchase

We would like to take this opportunity to thank you for choosing Kraus. We hope that you are completely satisfied with your purchase, and enjoy it for years to come. If you have any questions, or require technical assistance, please contact us at 800.775.0703 and one of our representatives will be happy to help.

For more information about Kraus products, please visit:

**[www.kraususa.com](http://www.kraususa.com)**

In order to activate your warranty and get faster access to customer support, please register your new Kraus product at:

**[www.kraususa.com/registration](http://www.kraususa.com/registration)**

*Sincerely,*

*Kraus USA Customer Service*

## **Prior to Installation:**

- Make sure that you have all necessary parts by checking the parts list. If any part is missing or damaged, please contact Kraus Customer Service at 800-775-0703 for a replacement
- Inspect the sink prior to installation to make sure that it has not been damaged or during shipping
- Use the cut-out template provided by Kraus
- Observe all plumbing and building codes according to your state requirements
- Not recommended to be installed with laminate countertop

## **Parts List**

---

- Cut-Out Template
- Mounting Hardware
- Bottom Grids
- Drain

**For technical assistance or replacement parts, please contact Kraus**

**Customer Service and one of our representatives will be happy to help:**

Toll-Free: 800-775-0703 or [Customerservice@kraususa.com](mailto:Customerservice@kraususa.com)

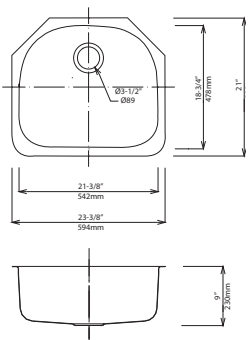
The step-by-step guidelines in the installation instructions are a general reference for installing a Kraus Sink. Should there be any discrepancies, Kraus cannot be held liable. It is recommended to install all Kraus products by hiring a licensed professional.

## Tools you will need:

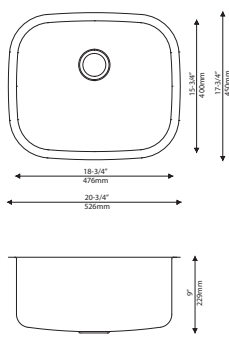


**NOTE:** Specialized tools may be necessary to install Kraus Stainless Steel Undermount sinks with countertop materials other than wood, marble, or granite

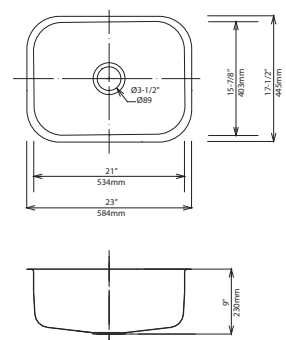
## Dimensions



**KBU10**  
 23 3/8" x 21" x 9"  
 Min Cabinet Size: 27"  
 Matching Grid: KBG-10  
 Drain Model #: BST-1

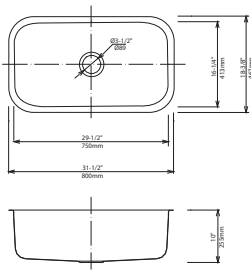


**KBU11**  
 20 3/4" x 17 3/4" x 9"  
 Min Cabinet Size: 24"  
 Matching Grid: KBG-11  
 Drain Model #: BST-1

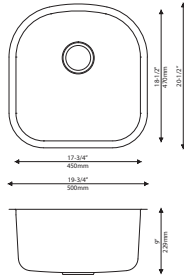


**KBU12**  
 23" x 17 1/2" x 9"  
 Min Cabinet Size: 27"  
 Matching Grid: KBG-12  
 Drain Model #: BST-1

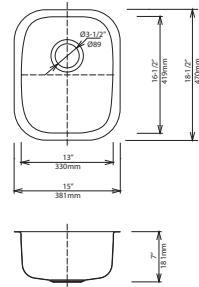
# Dimensions



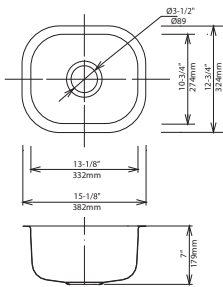
**KBU14**  
 31 1/2" x 18 3/8" x 10"  
 Min Cabinet Size: 36"  
 Matching Grid: KBG-14  
 Drain Model #: BST-1



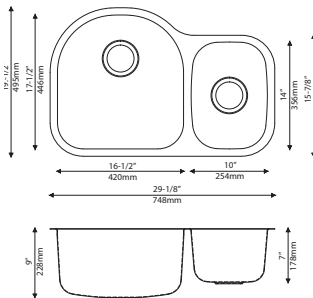
**KBU15**  
 19 3/4" x 20 1/2" x 9"  
 Min Cabinet Size: 24"  
 Matching Grid: KBG-15  
 Drain Model #: BST-1



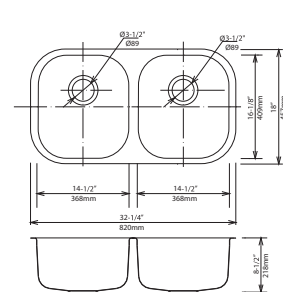
**KBU16**  
 15" x 18 1/2" x 7"  
 Min Cabinet Size: 18"  
 Drain Model #: ST-1



**KBU17**  
 15 1/8" x 12 3/4" x 7"  
 Min Cabinet Size: 18"  
 Drain Model #: ST-1

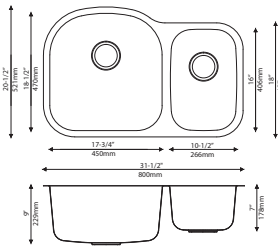


**KBU21**  
 29 1/8" x 19 1/2" x 9"  
 Min Cabinet Size: 33"  
 Matching Grid: KBG-21-1  
 and KBG-21-2  
 Drain Model #: BST-1 & ST-1

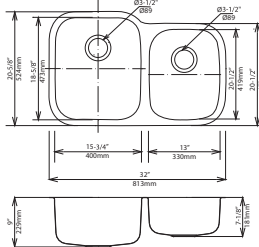


**KBU22**  
 32 1/4" x 18" x 8 1/2"  
 Min Cabinet Size: 36"  
 Matching Grid: KBG-22-1  
 and KBG-22-2  
 Drain Model #: BST-1 & ST-1

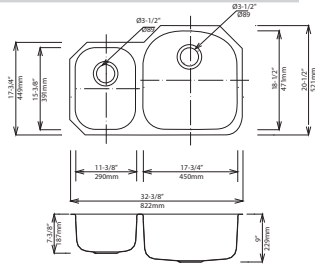
# Dimensions



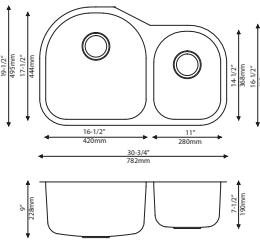
**KBU23**  
 31 1/2" x 20 1/2" x 9"  
 Min Cabinet Size: 36"  
 Matching Grid: KBG-23-1  
 and KBG-23-2  
 Drain Model #: BST-1 & ST-1



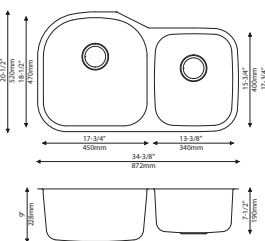
**KBU24**  
 32" x 20 5/8" x 9"  
 Min Cabinet Size: 36"  
 Matching Grid: KBG-24-1  
 and KBG-24-2  
 Drain Model #: BST-1 & ST-1



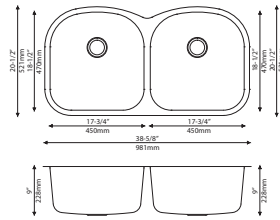
**KBU25**  
 32 3/8" x 20 1/2" x 9"  
 Min Cabinet Size: 36"  
 Matching Grid: KBG-25-1  
 and KBG-25-2  
 Drain Model #: BST-1 & ST-1



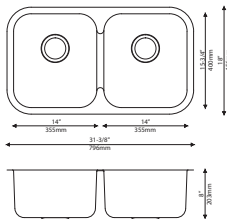
**KBU26**  
 30 3/4" x 19 1/2" x 9"  
 Min Cabinet Size: 36"  
 Matching Grid: KBG-26-1  
 and KBG-26-2  
 Drain Model #: BST-1 & ST-1



**KBU27**  
 34 3/8" x 20 1/2" x 9"  
 Min Cabinet Size: 39"  
 Matching Grid: KBG-27-1  
 and KBG-27-2  
 Drain Model #: BST-1 & ST-1



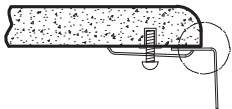
**KBU28**  
 38 5/8" x 20 1/2" x 9"  
 Min Cabinet Size: 42"  
 Matching Grid: KBG-28-1  
 and KBG-28-2  
 Drain Model #: BST-1 & ST-1



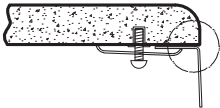
**KBU29**  
 31.5" x 18.5" x 10"  
 Min Cabinet Size: 36"  
 Matching Grid: KBG-29-1 and KBG-29-2  
 Drain Model #: BST-1 & ST-1

# 1. Determine Reveal Type

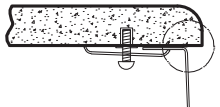
Use scissors to cut along the line of the paper template for your desired reveal type (Negative, Positive, or Flushed Reveal)



3/8" Positive Reveal

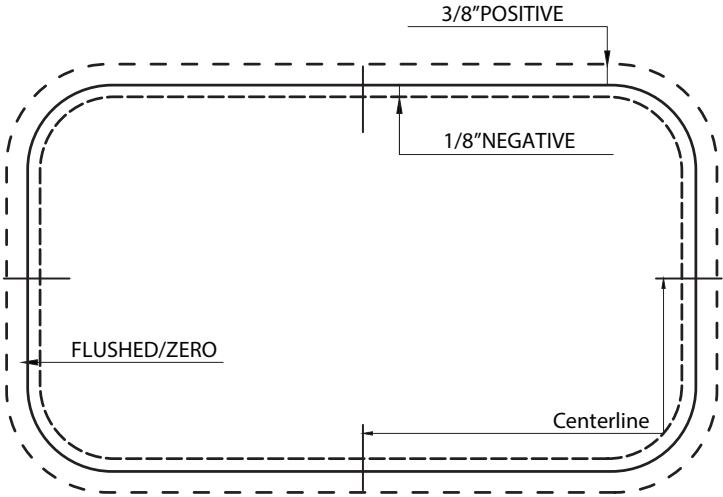


Flushed/Zero Reveal



1/8" Negative Reveal

KRAUS Recommended Installation Type

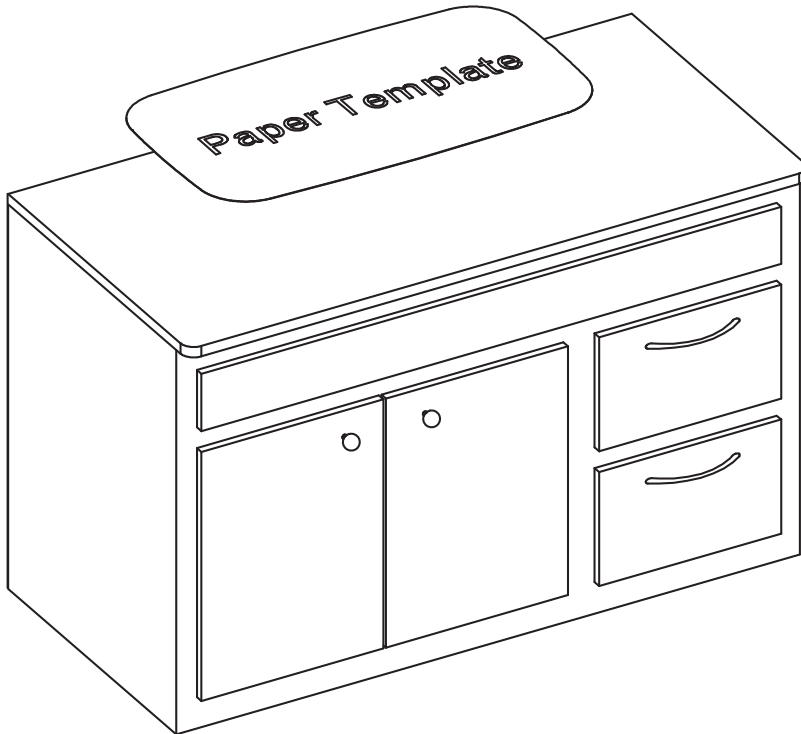


## 2. Position Template

---

- Check the cut-out template against the actual sink to ensure a proper sized cut-out
- Place the cut-out template in the desired location on the countertop

**NOTE:** Make sure clearance is suitable for backsplash, faucet, and plumbing for the sink

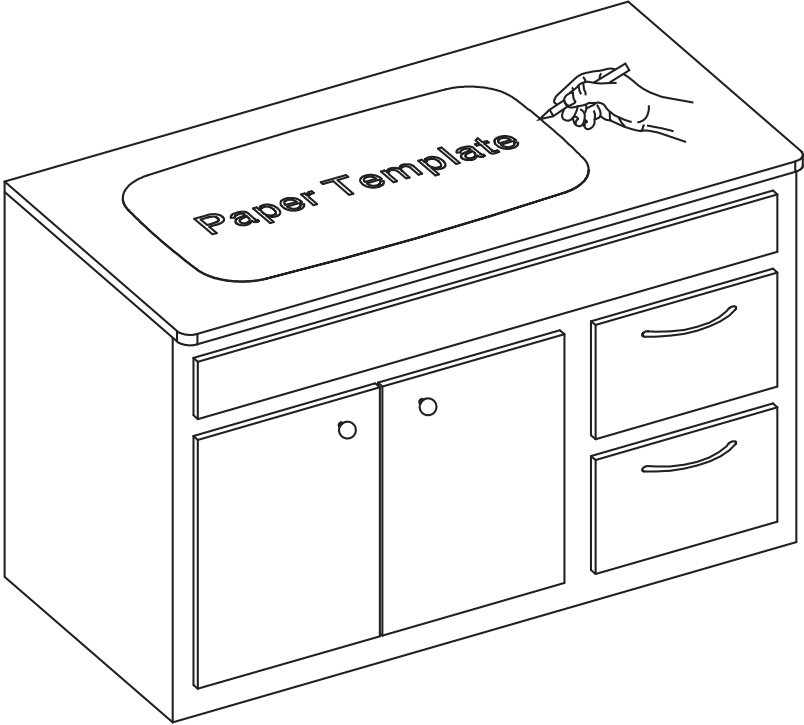




### 3. Trace Template

---

- Trace template on countertop with a pencil

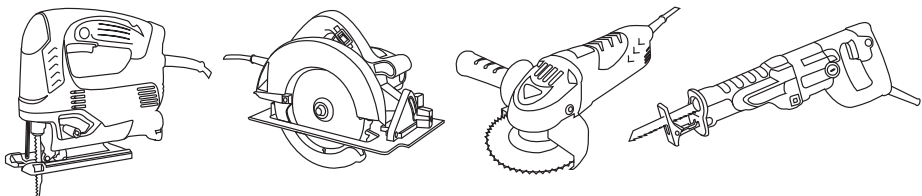
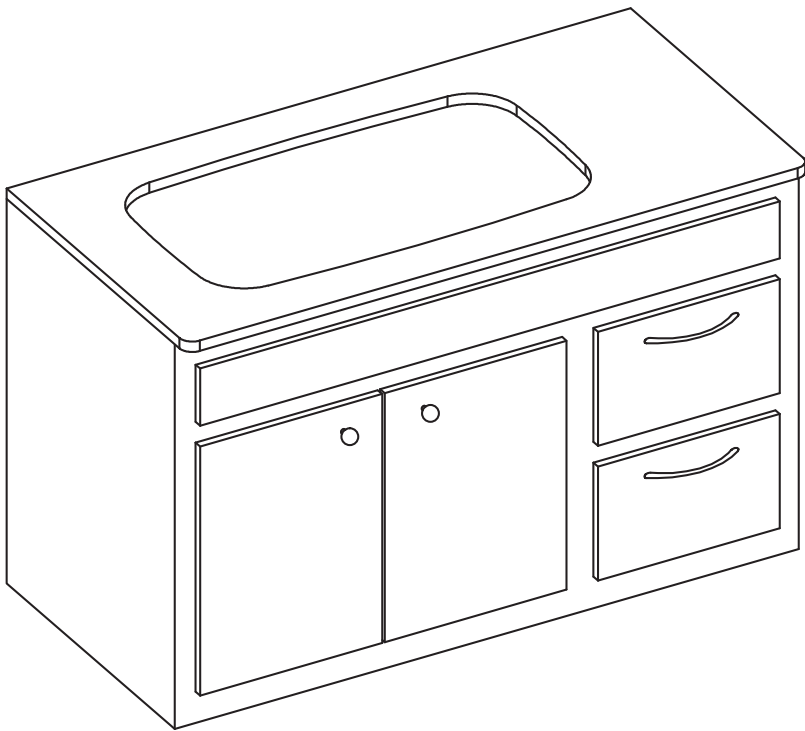


## 4. Cut Countertop

---

- Cut the opening in the countertop by carefully following the traced line

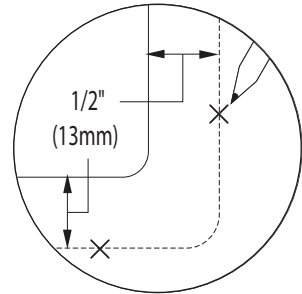
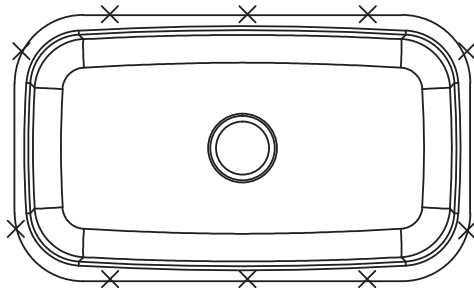
**NOTE:** Please use the appropriate saw that best fits your countertop material



## 5. Set up Mounting Brackets

---

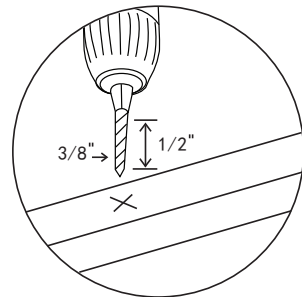
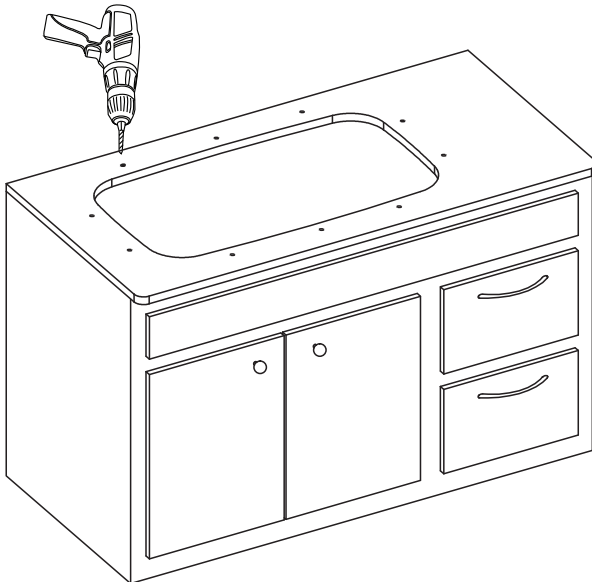
- Turn countertop over and align sink with countertop. Decide location for mounting brackets
- Mounting holes should be  $\frac{1}{2}$ " from edge of sink



## 6. Drill Hole in Countertop

---

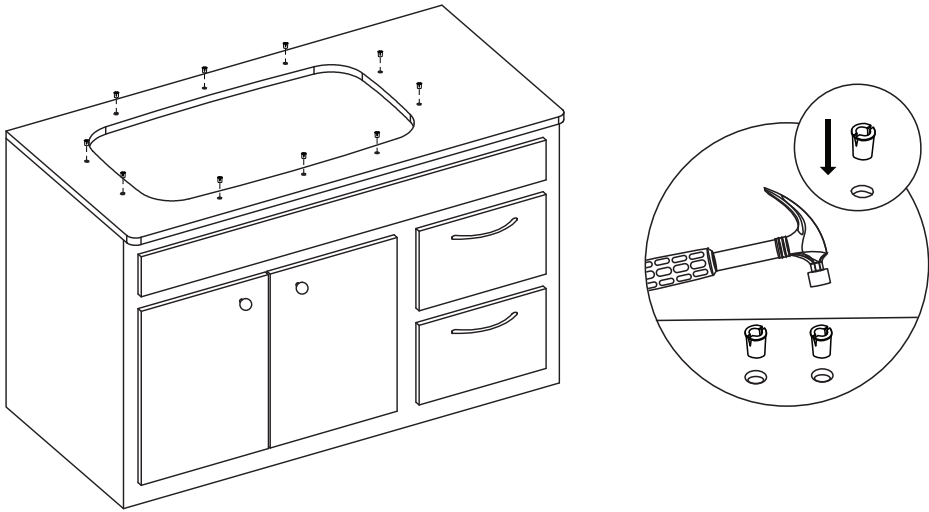
- Drill  $\frac{3}{8}$ " diameter x  $\frac{1}{2}$ " deep hole in the countertop



## 7. Install Anchors

---

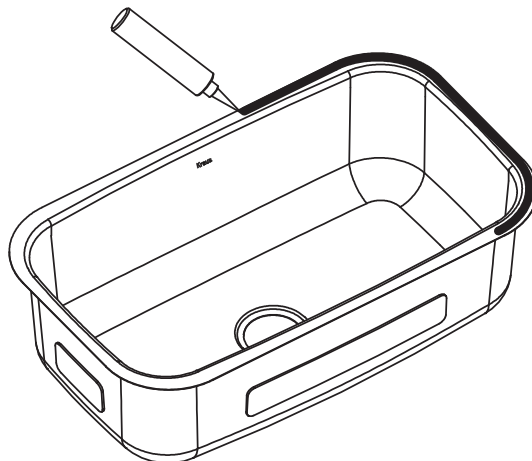
- Insert anchors into drilled holes and lightly tap with a hammer until flush



## 8. Secure Sink to Countertop

---

- Use a bead of silicone (or preferred adhesive) around the rim of the sink. Check the alignment of the sink to the cutout in the countertop. Place sink over cutout hole and press firmly

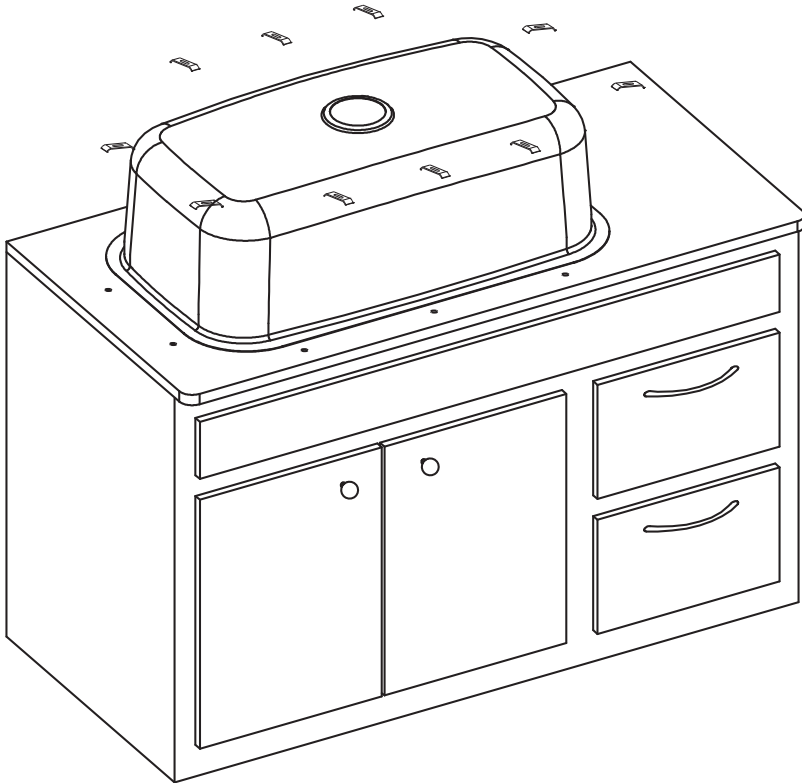


## 9. Attach Mounting Hardware

---

- Attach mounting hardware to secure bowl. Remove excess sealant from inside lip
- Allow sealant to set for 30 – 60 minutes

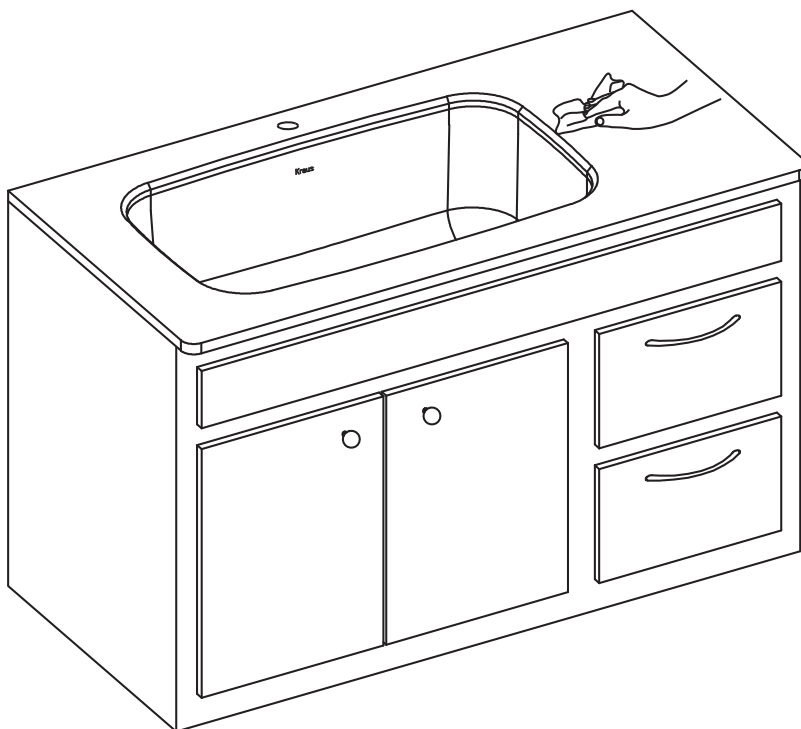
**NOTE:** Use acetone or rubbing alcohol to remove any excess sealant



## 10. Install Plumbing Fixtures

---

- Connect drain to sink. Connect trap to drain. Connect water supply connections to faucet according to manufacturer's instructions
- Run water into sink and check for leaks



## Codes/Standards Applicable:



## HELP LINE

---

Our customer service hours are Monday – Friday, 9am – 8pm EST.  
Be sure to visit our website at [www.kraususa.com](http://www.kraususa.com)

**If you are a HOMEOWNER please contact a Kraus Customer Service Representative at:**

Kraus USA, Inc.  
12 Harbor Park Drive  
Port Washington, NY 11050  
Toll-free 800-775-0703  
[Customerservice@kraususa.com](mailto:Customerservice@kraususa.com)

**If you are a PLUMBING CONTRACTOR OR TRADE PROFESSIONAL please contact a Kraus Pro Representative at:**

Kraus USA, Inc.  
12 Harbor Park Drive  
Port Washington, NY 11050  
516-801-8955  
[Proservice@kraususa.com](mailto:Proservice@kraususa.com)

**If you are an AUTHORIZED PARTNER please contact a Partner Support Representative at:**

Kraus USA, Inc.  
12 Harbor Park Drive  
Port Washington, NY 11050  
516-801-8954  
[Partnersupport@kraususa.com](mailto:Partnersupport@kraususa.com)

**In requesting warranty service, please be ready to provide:**

1. Proof of purchase.
2. A description of the problem.

**REGISTER YOUR PRODUCT TODAY**

**Receive** Proof of Ownership  
**Access** Customer Care & Installation Help  
**Get** Exclusive Kraus Offers & Promotions



Scan to Register Online  
or visit <http://www.kraususa.com/registration>

**We're always looking for ways to improve.**

Please take a moment to share your experience.  
Visit <http://www.kraususa.com/review> to let us know what you think  
about your new Kraus product.

Contact Us to Learn More  
1.800.775.0703 / [www.kraususa.com](http://www.kraususa.com) / [customerservice@kraususa.com](mailto:customerservice@kraususa.com)  
Like & Follow KrausUSA

Download the Kraus Care & Maintenance Guide at:  
<http://www.kraususa.com/maintenance>



**Kräus<sup>®</sup>**

[www.kraususa.com](http://www.kraususa.com)



**Kräus<sup>®</sup>**

INSTALLATION MANUAL

# Single Lever Pull-Out Kitchen Faucet

KPF-1612

## **Congratulations on your new Kraus purchase!**

We would like to take this opportunity to thank you for your business with Kraus USA. It is our sincere hope that you are completely satisfied with your Kraus experience. We welcome any questions or comments you may have, and look forward to assisting you in the future.

For more information about Kraus products, please visit our website at:  
**[www.kraususa.com](http://www.kraususa.com)**.

In order to allow us to serve you better, we recommend registering your new Kraus product at: **[www.kraususa.com/product-registration](http://www.kraususa.com/product-registration)**

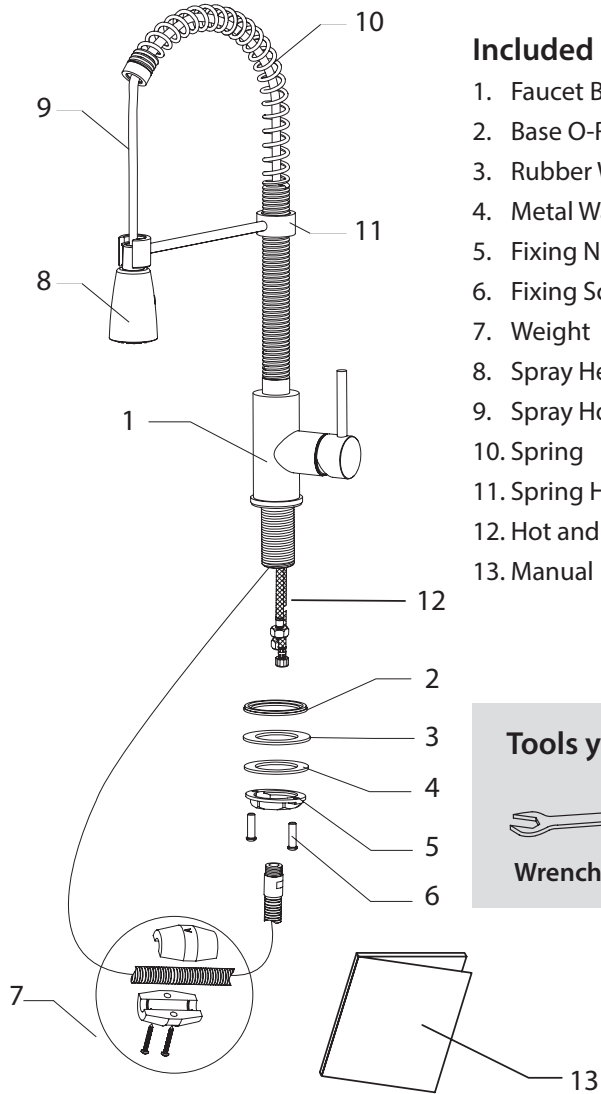
*Sincerely,*

*Kraus Customer Service Department*

## Prior to Installation

- Make sure that the cold and hot water lines are turned off
- Wrap all threaded connections with Teflon tape. Always wrap in a clockwise direction
- Cover your drain to avoid losing parts
- Do not disassemble the main faucet body, as it has been installed & commissioned correctly & precisely before delivery from the factory
- To keep the faucet from jamming, flush the water pipe before installation
- Using condition: Working pressure at 0.05-1.0MPa (including cold & hot water pressure) with applicable water temperature: 4°C-90°C

# KPF-1612 Diagram and Parts List



## Included Parts:

1. Faucet Body
2. Base O-Ring
3. Rubber Washer
4. Metal Washer
5. Fixing Nut
6. Fixing Screw (2)
7. Weight
8. Spray Head
9. Spray Hose
10. Spring
11. Spring Holder
12. Hot and Cold Waterlines (2)
13. Manual

## Tools you will need:

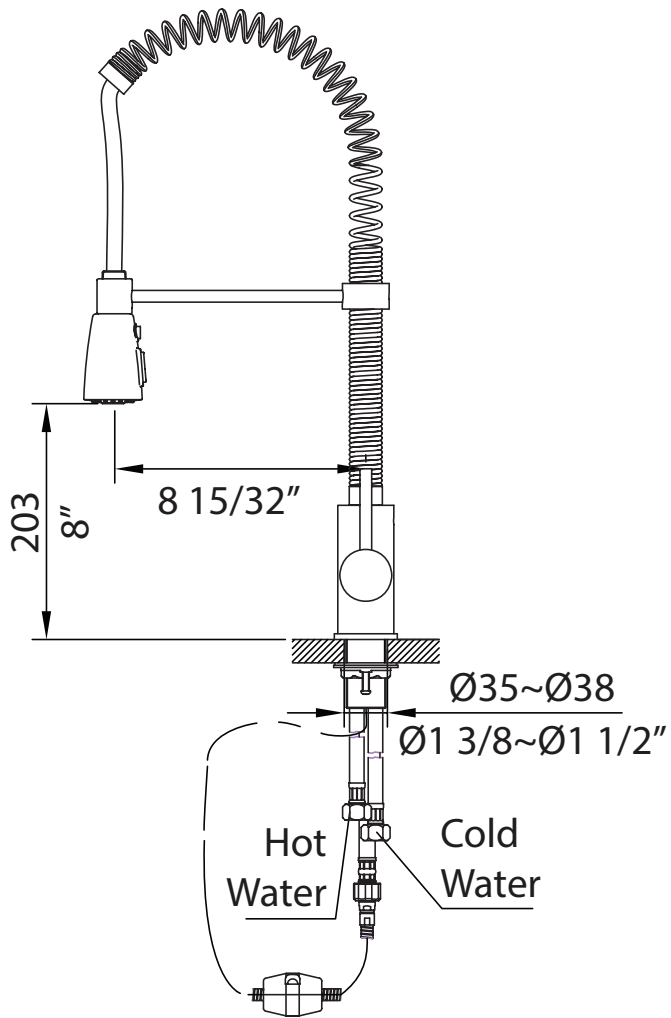


Wrench



Phillips Screwdriver

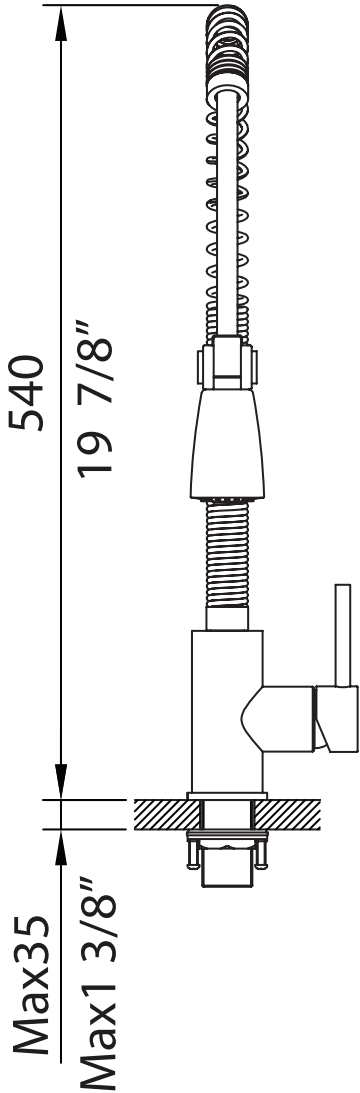
## Dimension Drawings



### Safety Tips

- If soldering the water connections when installing the faucet, remove the O-rings, cartridges, and washers before applying any heat
- Protect your eyes with safety glasses when cutting or soldering

# Dimension Drawings



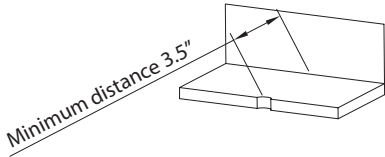
## Safety Tips

- Do not over tighten fixing screws/nuts. Tighten finger-tight, then use a wrench/screwdriver to tighten the fixing screw/nut until snug

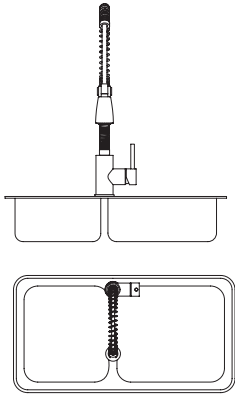
# Faucet Installation Procedure

## Installation Method 1

---

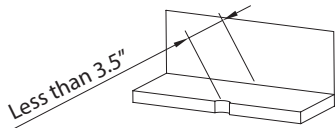


The minimum distance between the faucet hole and the wall should be 3.5"

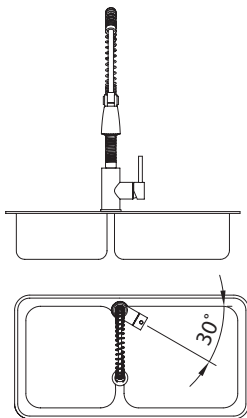


## Installation Method 2

---

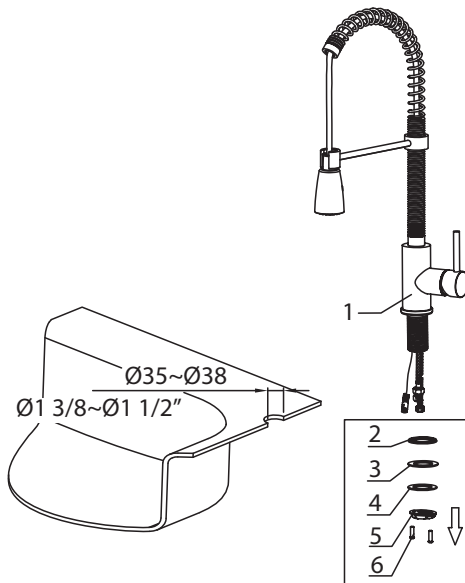


If the distance between the faucet hole and the wall is less than 3.5", position the faucet lever 30 degrees to 90 degrees off of the wall to allow for full operation



## Step 1

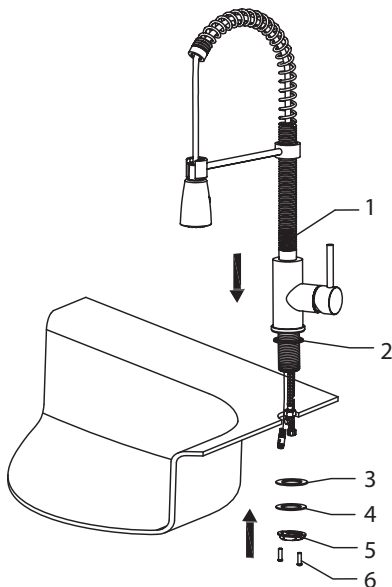
---



Remove mounting screws (6), mounting nut (5), metal washer (4), and rubber washer (3) from the faucet body (1)

## Step 2

---

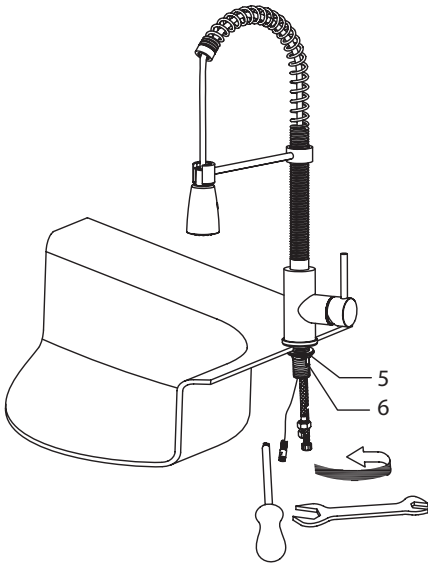


Insert the faucet body (1) into the hole on the deck with the base o-ring (2). Install the rubber washer (3), metal washer (4), mounting nut (5) and mounting screws (6) from underneath the sink



### Step 3

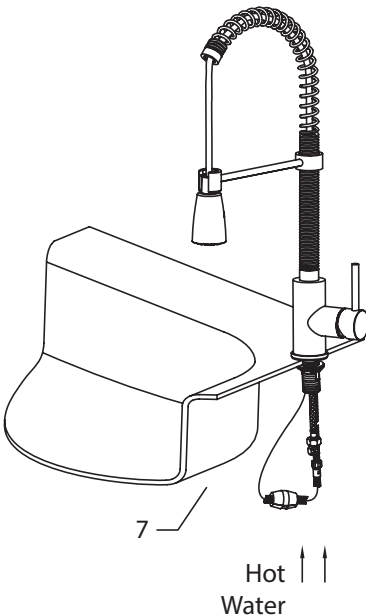
---



After adjusting the direction of the faucet body (1), tighten the mounting nut (5) until snug and tighten the mounting screws (6) to the nut with a Philips head screwdriver

### Step 4

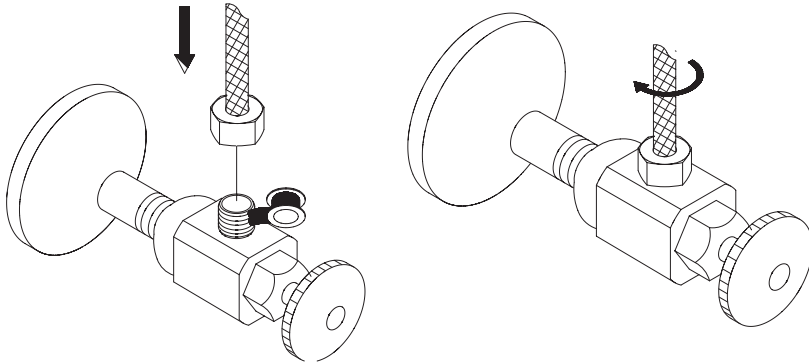
---



Connect the spray hose (9) to the supply line and tighten with a wrench until snug, then install the weight (7) at the lowest point (horizontally) on the spray hose (12)

## Step 5

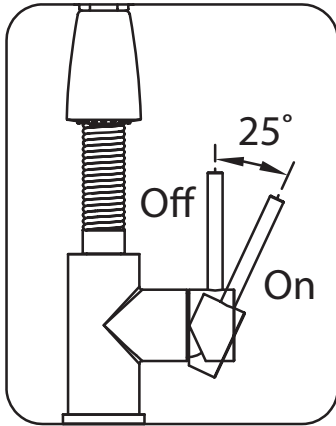
---



Connect hot and cold waterlines (12) to the angle stops and tighten with a wrench until snug, then unscrew spray head (8), hold the tip of the spray hose (9) and turn on the faucet to flush any debris

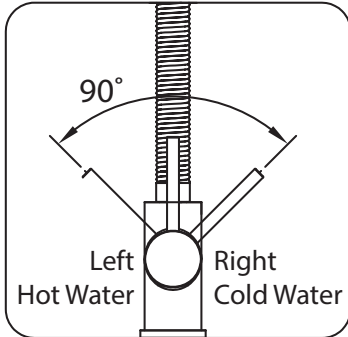
# Usage

## How to Operate the Handle



1. Pull the lever to the right to turn on the water. Push to the left to turn off

2. Pull the lever forward to increase hot water flow and push the lever back to increase the cold water flow



## Care & Maintenance

\*To keep the product clean & shining, follow the steps below:

1. Rinse clean with water & dry with a soft cloth
2. Do not clean with soaps, acid, polish, abrasives, or harsh cleaners
3. Do not use cloth with a coarse surface
4. Unscrew the aerator and clean when necessary



\*This installation manual is subject to change without further notice

## Trouble - Shooting

If you have followed the instructions carefully and your faucet still does not work properly, take the following corrective steps:

PROBLEM	CAUSE	ACTION
Leakage under the handle	Locking nut has come loose	Unscrew the lever on the handle by hand. Loosen set screw with a hex wrench. Remove the handle and unscrew trim cap by hand. Tighten locking nut with an adjustable wrench
Water will not shut off completely	Cartridge may be defective	Unscrew the lever on the handle by hand. Loosen set screw with a hex wrench (2.5 mm). Remove the handle and unscrew trim cap by hand. Unscrew the locking nut with an adjustable wrench. Remove ceramic disc cartridge. Check for cracks
Leaking between spray head and the hose	Spray head may be loose or washer is not seated correctly in the hose connection	Tighten the spray head by hand until snug. Make sure the washer is seated correctly

## **Codes/Standards Applicable:**

Specified model meets or exceeds the following: ANSI/ASME A112.18.1, cUPC, AB1953

## **KRAUS LIMITED LIFETIME WARRANTY**

This product has been manufactured and tested to the highest quality standards by Kraus USA Inc. ("Kraus"). We offer our customers thoughtfully crafted fixtures & accessories, engineered for enduring performance over years of use.

### **WHO IS COVERED BY THE WARRANTY**

This warranty extends to the original purchaser only. This warranty is not transferable, between homes or owners and is only applicable to residential use.

### **WHAT IS COVERED BY THE WARRANTY**

Kraus warrants this product against defects due to material or craftsmanship error during the warranty period: Kraus will provide replacement parts at no charge, or at its option, replace any product or part of the product that is deemed defective, under normal installation, use, service and maintenance. If Kraus is unable to provide a replacement and repair is not practical or cannot be made in timely fashion, Kraus may elect to refund the purchase price in exchange for the return of the product.

### **CONDITIONS AND EXCLUSIONS**

Like other home fixtures, Kraus products will require light maintenance to ensure proper function. We provide you with complete knowledge to perform this maintenance and can also recommend resources if you are unable to fulfill this service.

**A.** Kraus will not be responsible for product failures due to lack of maintenance or proper use. Please read your care and maintenance documentation to determine the limits of proper use.

**B.** The original sales receipt, order number, and/or proof of purchase must be presented at the time of the warranty claim, without exception, for this warranty to be applied to all Kraus products.

C. Kraus recommends installing all Kraus products with a licensed, professional plumber. Kraus will not be held responsible for any damage or product failure due to improper installation, misuse, or failure to use a licensed professional. Please read your care and maintenance documentation to determine the limits of proper use.

D. Commercial use will automatically void this warranty.

E. This warranty is not applicable to Kraus products purchased from an unauthorized seller. For a complete list of authorized sellers please visit <http://www.kraususa.com/where-to-buy.html>

## **NON-APPLICABILITY OF THIS WARRANTY**

By the purchase and use of our products, you agree that Kraus is not liable for incidental, consequential or special damages associated with the return, replacement, installation or use of your product. This includes freight costs, cartridge replacement, labor, travel time, lost profit, home damages and other contingent liabilities and costs (including, without limitation, costs associated with experts, investigations, analyses, attorneys and other professionals and services). The Kraus warranty is a comprehensive and explicit limit of liability, and all items outside of it are not addressable by or the responsibility of Kraus. Certain states have variances regarding implied warranties and in those situations we remain fully compliant.

KRAUS USA Inc. makes no implication that products comply with any or all local building or plumbing codes. It is the consumer's responsibility to determine local code compliance. This warranty extends to the original purchaser and first consumer.

---

## **HELP LINE**

For additional assistance at any point in the installation process, please call us at 1.800.775.0703 or email us at [info@kraususa.com](mailto:info@kraususa.com)

Our customer service hours are Monday – Friday, 9am – 8pm EST.  
Be sure to visit our website at [www.kraususa.com](http://www.kraususa.com).

Kräus®

[www.kraususa.com](http://www.kraususa.com)





Dear Valued Customer,

Kraus would like to take this opportunity to thank you for purchasing Kraus products. It is our sincere hope that you are completely satisfied with your new purchase. We welcome any questions or comments you may have, and look forward to assisting you in the future.

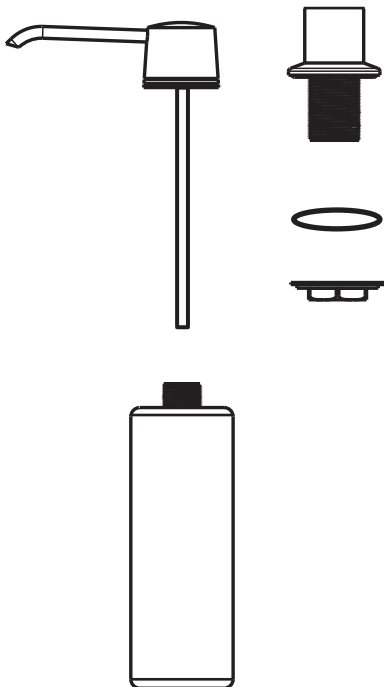
Sincerely,  
Kraus customer service department.



# Soap Dispenser

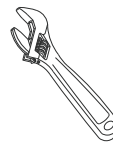
## Before Your Installation

Check to make sure you have the following parts indicated below:



MODEL
SD-30-CH
SD-30-SN
SD-30-ORB

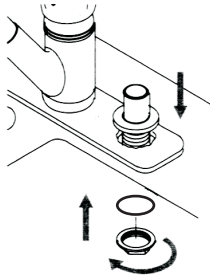
## Tools You Will Need



Adjustable wrench

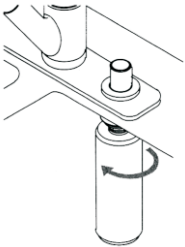
## Soap Dispenser Installation Procedure

1



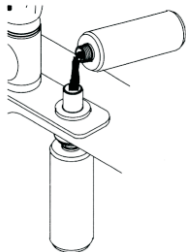
Attach nut and washer to container threads. Insert container through hole below sink. Position concealment flange and secure with dispenser base.

2



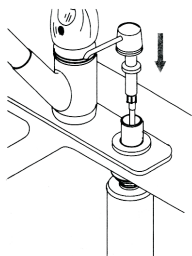
Tighten nut.

3



Fill container with approximately 8-10oz. of soap or lotion.

4



Insert pump.

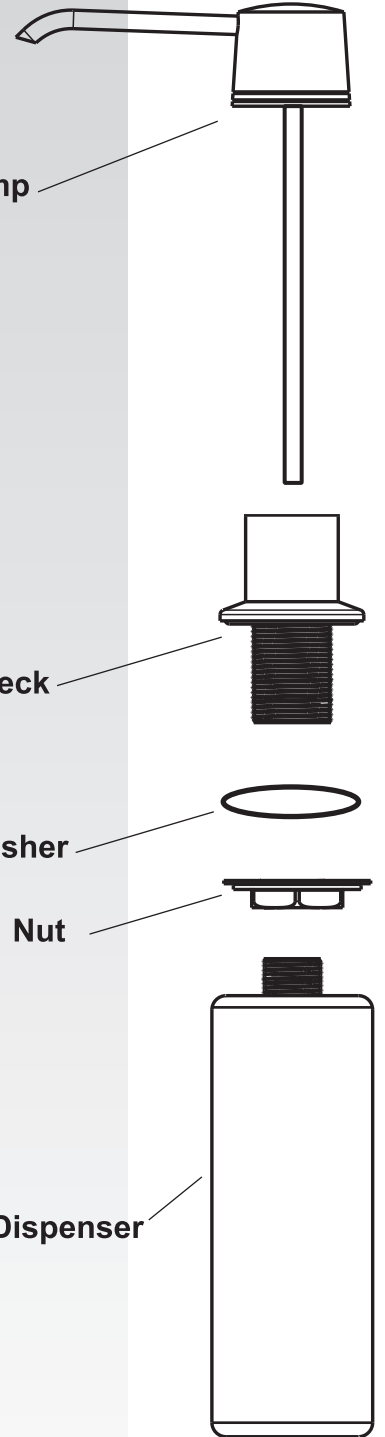
Pump

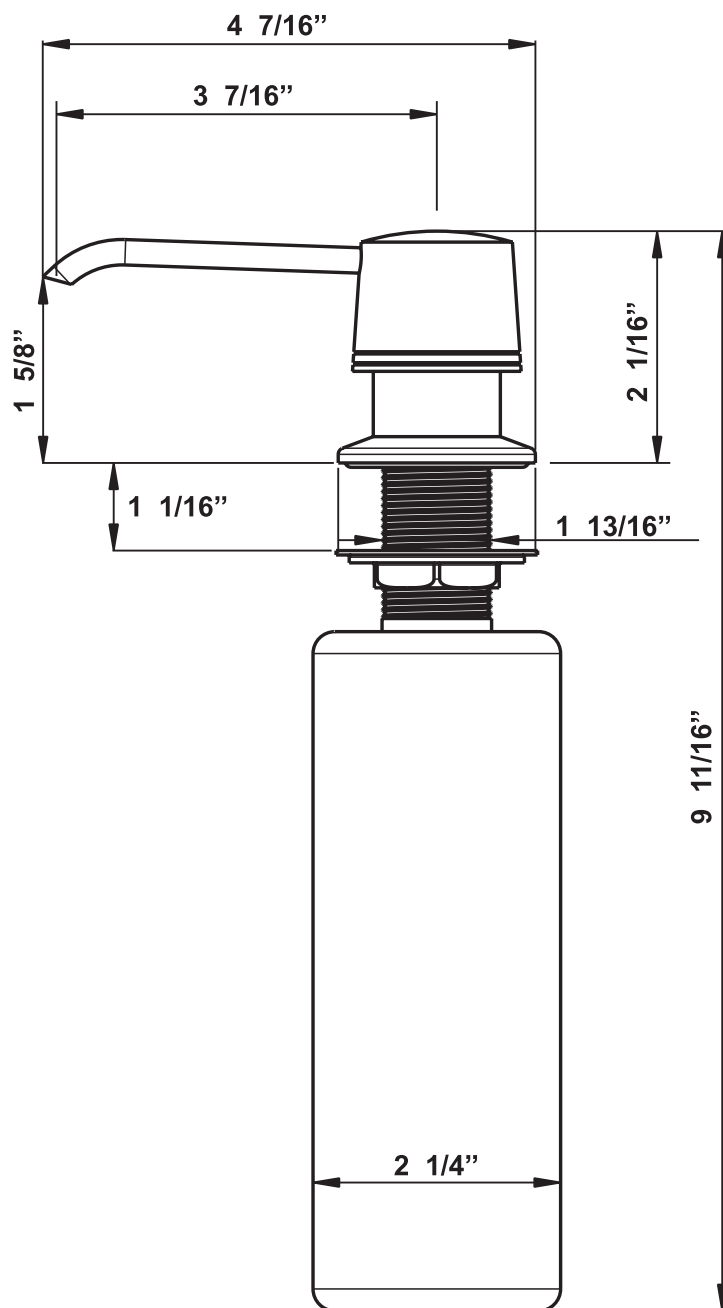
Neck

Washer

Nut

Body Dispenser





## About Kraus

Kraus is a leading designer and manufacturer of a broad selection of unique bathroom fixtures and accessories, including vessel sinks, faucets, showers, vanities and bathroom accessories. Kraus incorporates its distinguished style with superior functionality and affordability, maintaining the highest standards of quality in its vast product line.

The Kraus brand name represents a fusion of leading-edge technology and an eye toward design. Our design team continuously explores broader markets, seeking new trends while maintaining superior quality at unprecedented prices. The Kraus collection has the widest selection of exquisite styles for any type of décor, from modern residences to countryside homes.

For Kraus, durability and reliability have always been vital components for achieving the highest standards. Every model we offer undergoes rigorous testing and inspection prior to distribution. The key element of our success is our customers' satisfaction. As a result, our products are in high demand with shoppers worldwide.