

The logo features the word "Kraus" in a white, serif font with a registered trademark symbol (®) to the upper right. The letter "K" is stylized with a vertical line through its center. The letters "a" and "u" have three horizontal lines above them, resembling a faucet's spout. The logo is set against a solid black rectangular background.

INSTALLATION MANUAL

Kraus Stainless Steel Undermount Kitchen Sink

**KBU10 / KBU11 / KBU12 / KBU14 / KBU15 / KBU16 /
KBU17 / KBU21 / KBU22 / KBU23 / KBU24 / KBU25
/ KBU26 / KBU27 / KBU28 / KBU29**

Thank you for your purchase

We would like to take this opportunity to thank you for choosing Kraus. We hope that you are completely satisfied with your purchase, and enjoy it for years to come. If you have any questions, or require technical assistance, please contact us at 800.775.0703 and one of our representatives will be happy to help.

For more information about Kraus products, please visit:

www.kraususa.com

In order to activate your warranty and get faster access to customer support, please register your new Kraus product at:

www.kraususa.com/registration

Sincerely,

Kraus USA Customer Service

Prior to Installation:

- Make sure that you have all necessary parts by checking the parts list. If any part is missing or damaged, please contact Kraus Customer Service at 800-775-0703 for a replacement
- Inspect the sink prior to installation to make sure that it has not been damaged or during shipping
- Use the cut-out template provided by Kraus
- Observe all plumbing and building codes according to your state requirements
- Not recommended to be installed with laminate countertop

Parts List

- Cut-Out Template
- Mounting Hardware
- Bottom Grids
- Drain

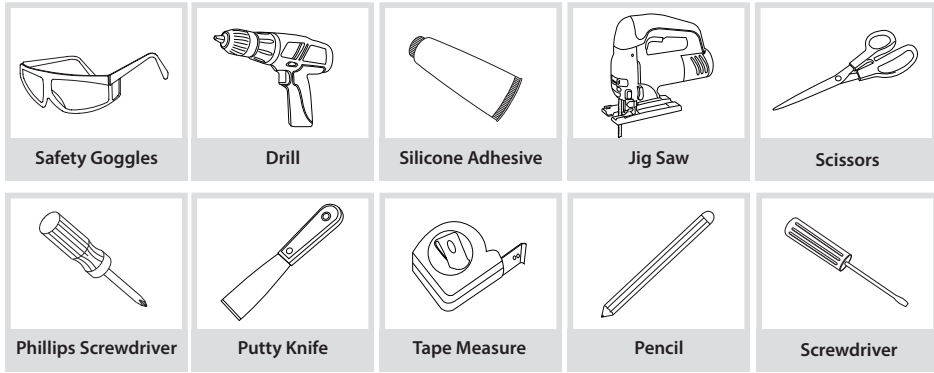
For technical assistance or replacement parts, please contact Kraus

Customer Service and one of our representatives will be happy to help:

Toll-Free: 800-775-0703 or Customerservice@kraususa.com

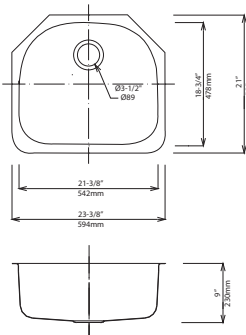
The step-by-step guidelines in the installation instructions are a general reference for installing a Kraus Sink. Should there be any discrepancies, Kraus cannot be held liable. It is recommended to install all Kraus products by hiring a licensed professional.

Tools you will need:

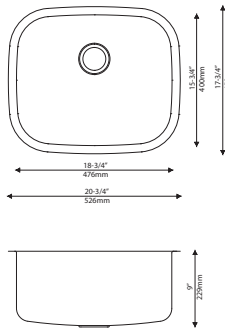


NOTE: Specialized tools may be necessary to install Kraus Stainless Steel Undermount sinks with countertop materials other than wood, marble, or granite

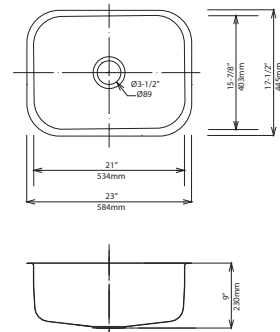
Dimensions



KBU10
 23 3/8" x 21" x 9"
 Min Cabinet Size: 27"
 Matching Grid: KBG-10
 Drain Model #: BST-1

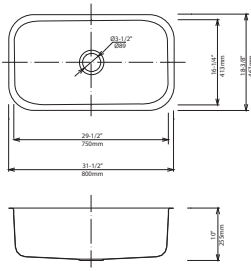


KBU11
 20 3/4" x 17 3/4" x 9"
 Min Cabinet Size: 24"
 Matching Grid: KBG-11
 Drain Model #: BST-1

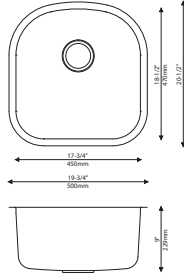


KBU12
 23" x 17 1/2" x 9"
 Min Cabinet Size: 27"
 Matching Grid: KBG-12
 Drain Model #: BST-1

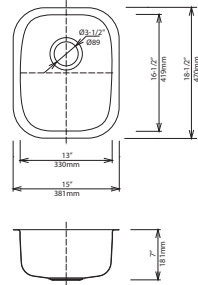
Dimensions



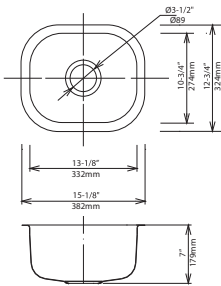
KBU14
 31 1/2" x 18 3/8" x 10"
 Min Cabinet Size: 36"
 Matching Grid: KBG-14
 Drain Model #: BST-1



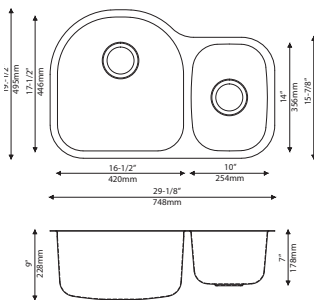
KBU15
 19 3/4" x 20 1/2" x 9"
 Min Cabinet Size: 24"
 Matching Grid: KBG-15
 Drain Model #: BST-1



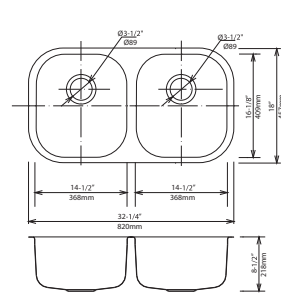
KBU16
 15" x 18 1/2" x 7"
 Min Cabinet Size: 18"
 Drain Model #: ST-1



KBU17
 15 1/8" x 12 3/4" x 7"
 Min Cabinet Size: 18"
 Drain Model #: ST-1

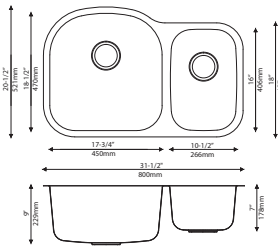


KBU21
 29 1/8" x 19 1/2" x 9"
 Min Cabinet Size: 33"
 Matching Grid: KBG-21-1
 and KBG-21-2
 Drain Model #: BST-1 & ST-1

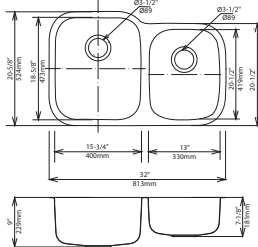


KBU22
 32 1/4" x 18" x 8 1/2"
 Min Cabinet Size: 36"
 Matching Grid: KBG-22-1
 and KBG-22-2
 Drain Model #: BST-1 & ST-1

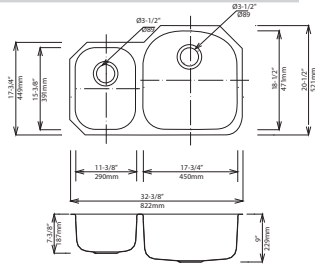
Dimensions



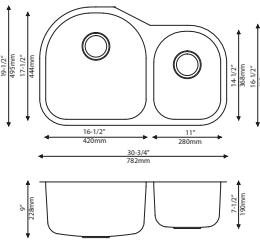
KBU23
 31 1/2" x 20 1/2" x 9"
 Min Cabinet Size: 36"
 Matching Grid: KBG-23-1
 and KBG-23-2
 Drain Model #: BST-1 & ST-1



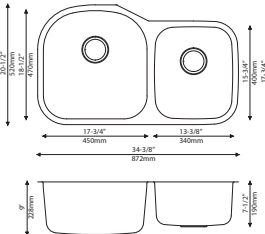
KBU24
 32" x 20 5/8" x 9"
 Min Cabinet Size: 36"
 Matching Grid: KBG-24-1
 and KBG-24-2
 Drain Model #: BST-1 & ST-1



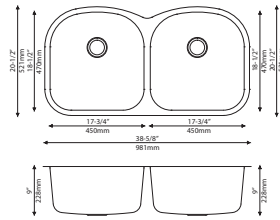
KBU25
 32 3/8" x 20 1/2" x 9"
 Min Cabinet Size: 36"
 Matching Grid: KBG-25-1
 and KBG-25-2
 Drain Model #: BST-1 & ST-1



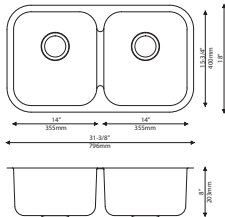
KBU26
 30 3/4" x 19 1/2" x 9"
 Min Cabinet Size: 36"
 Matching Grid: KBG-26-1
 and KBG-26-2
 Drain Model #: BST-1 & ST-1



KBU27
 34 3/8" x 20 1/2" x 9"
 Min Cabinet Size: 39"
 Matching Grid: KBG-27-1
 and KBG-27-2
 Drain Model #: BST-1 & ST-1



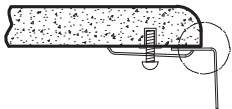
KBU28
 38 5/8" x 20 1/2" x 9"
 Min Cabinet Size: 42"
 Matching Grid: KBG-28-1
 and KBG-28-2
 Drain Model #: BST-1 & ST-1



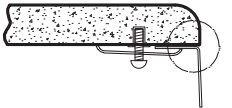
KBU29
 31.5" x 18.5" x 10"
 Min Cabinet Size: 36"
 Matching Grid: KBG-29-1 and KBG-29-2
 Drain Model #: BST-1 & ST-1

1. Determine Reveal Type

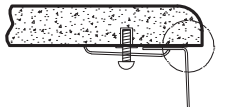
Use scissors to cut along the line of the paper template for your desired reveal type (Negative, Positive, or Flushed Reveal)



3/8" Positive Reveal

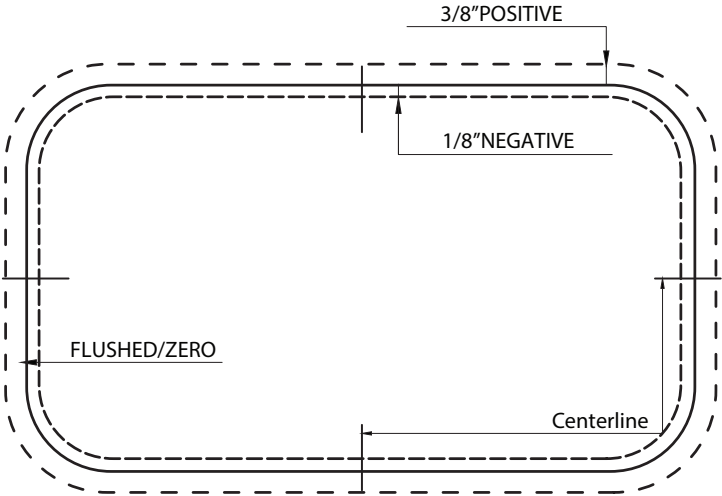


Flushed/Zero Reveal



1/8" Negative Reveal

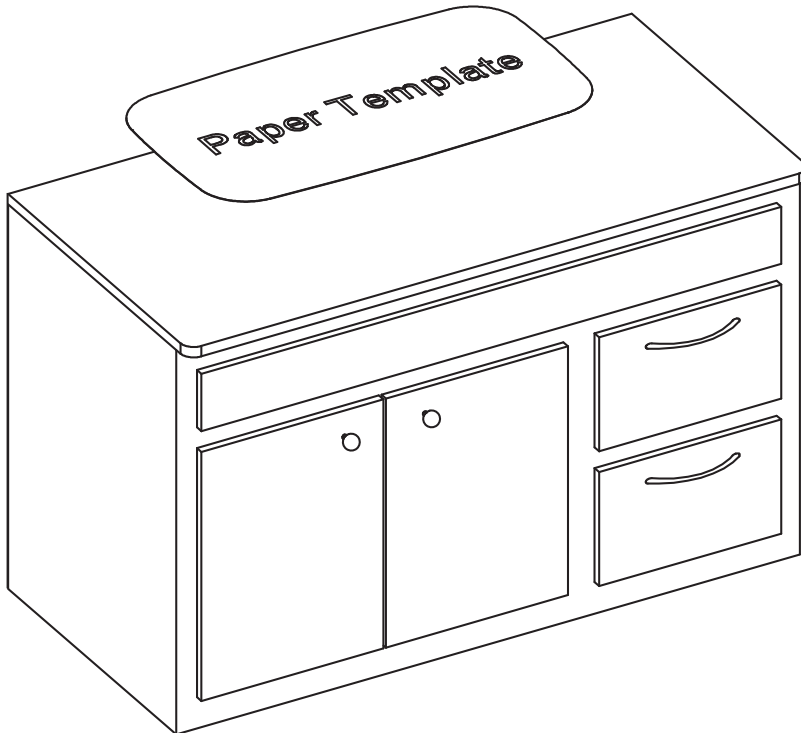
KRAUS Recommended Installation Type



2. Position Template

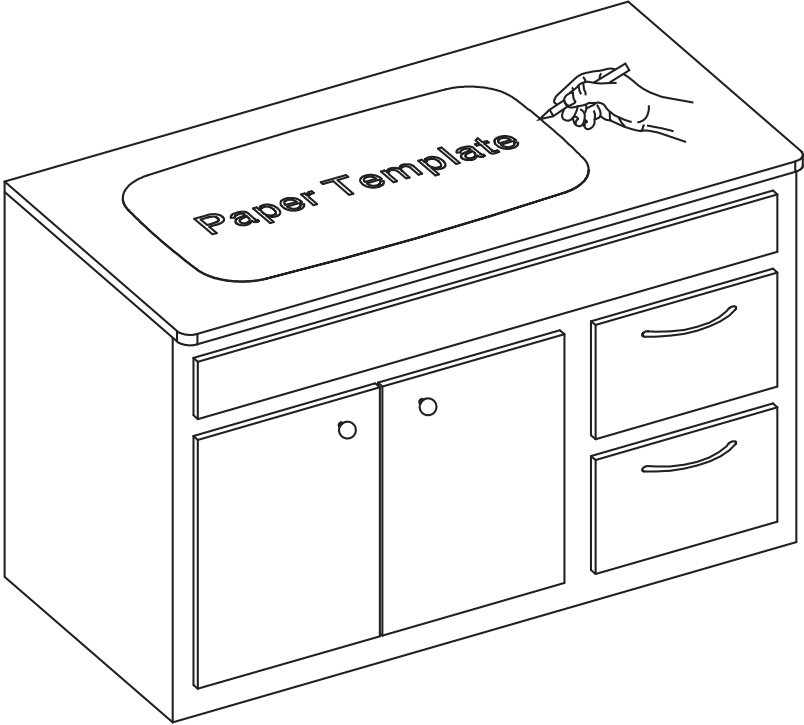
- Check the cut-out template against the actual sink to ensure a proper sized cut-out
- Place the cut-out template in the desired location on the countertop

NOTE: Make sure clearance is suitable for backsplash, faucet, and plumbing for the sink



3. Trace Template

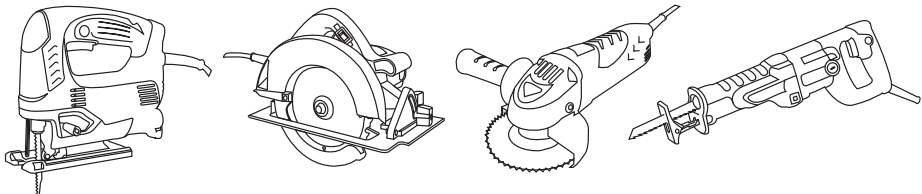
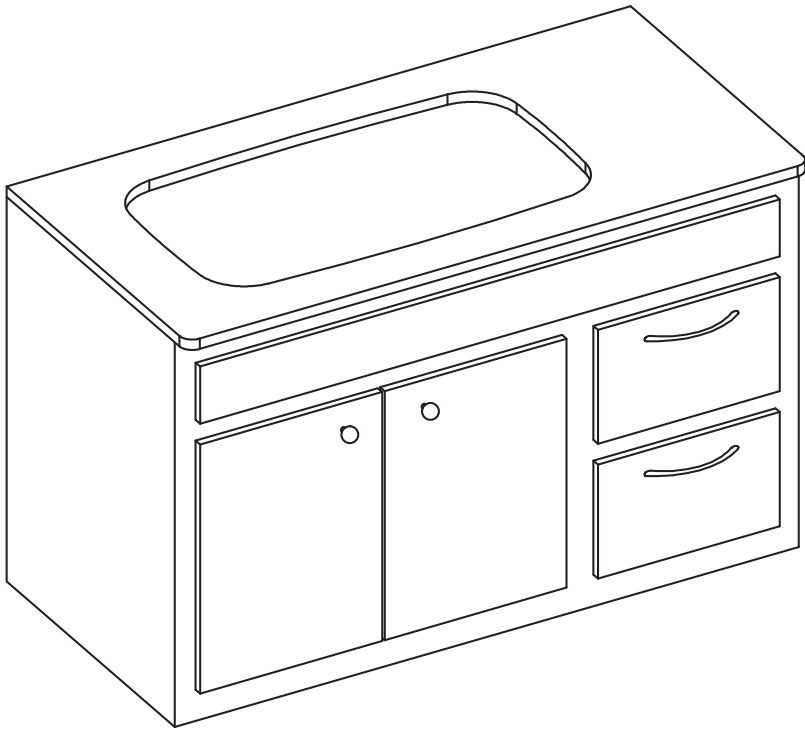
- Trace template on countertop with a pencil



4. Cut Countertop

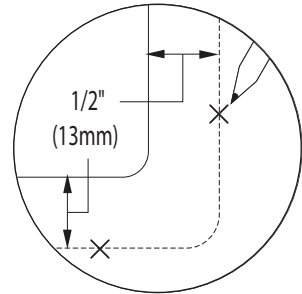
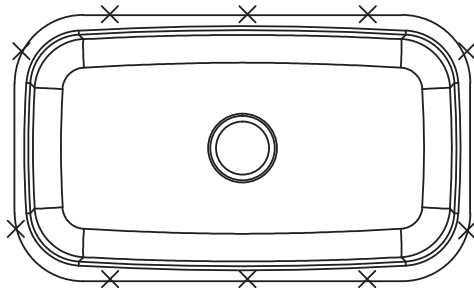
- Cut the opening in the countertop by carefully following the traced line

NOTE: Please use the appropriate saw that best fits your countertop material



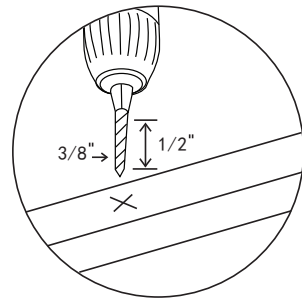
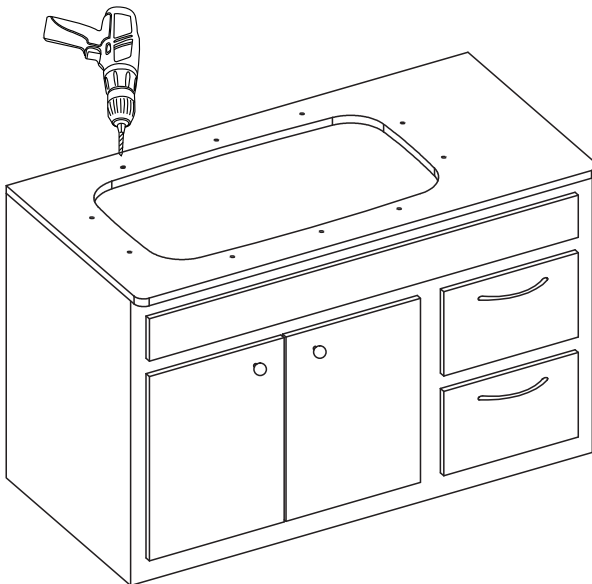
5. Set up Mounting Brackets

- Turn countertop over and align sink with countertop. Decide location for mounting brackets
- Mounting holes should be $\frac{1}{2}$ " from edge of sink



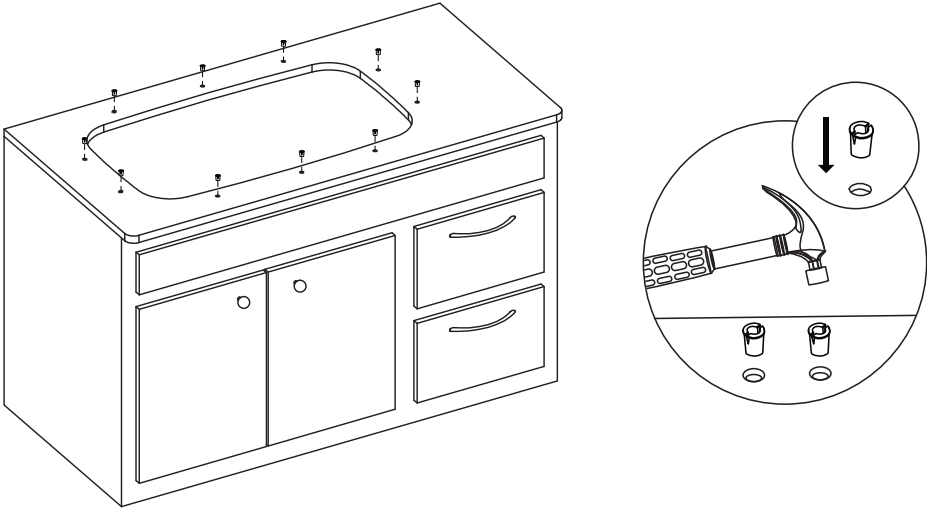
6. Drill Hole in Countertop

- Drill $\frac{3}{8}$ " diameter x $\frac{1}{2}$ " deep hole in the countertop



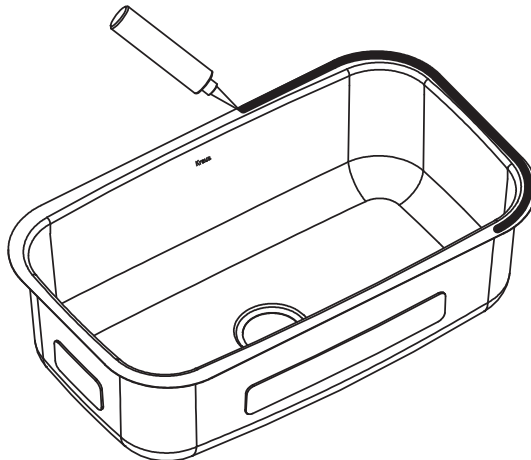
7. Install Anchors

- Insert anchors into drilled holes and lightly tap with a hammer until flush



8. Secure Sink to Countertop

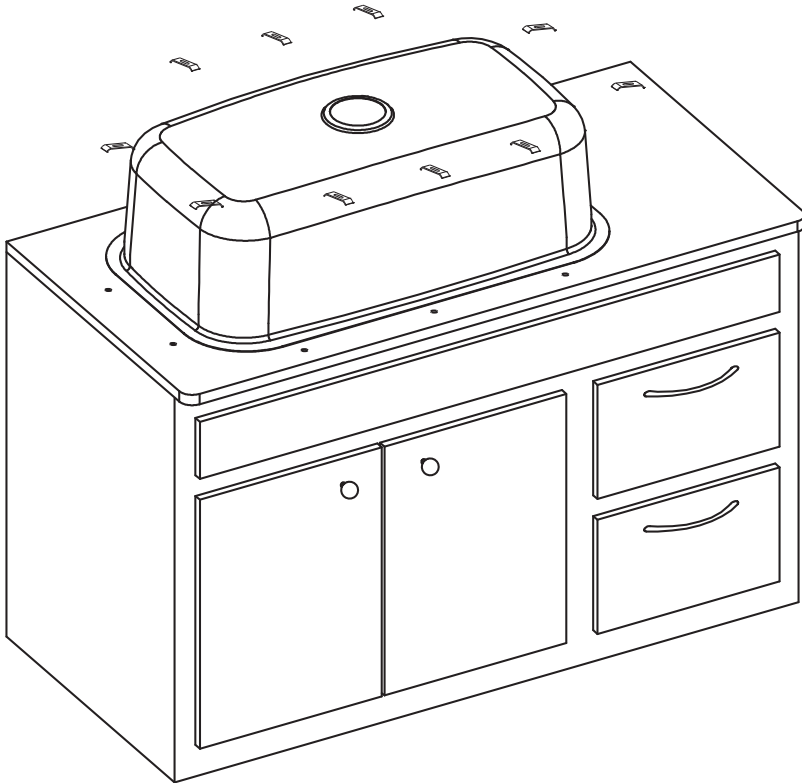
- Use a bead of silicone (or preferred adhesive) around the rim of the sink. Check the alignment of the sink to the cutout in the countertop. Place sink over cutout hole and press firmly



9. Attach Mounting Hardware

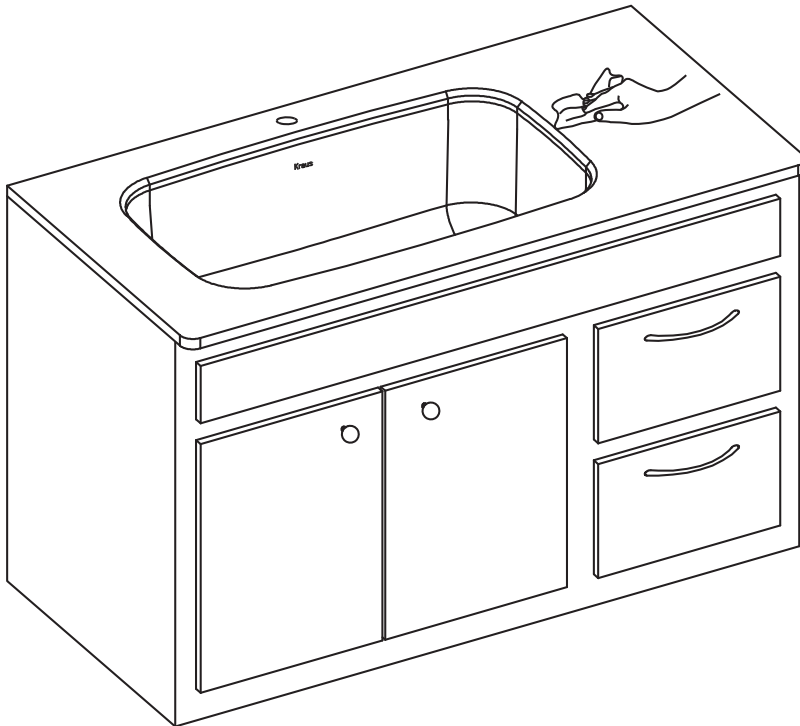
- Attach mounting hardware to secure bowl. Remove excess sealant from inside lip
- Allow sealant to set for 30 – 60 minutes

NOTE: Use acetone or rubbing alcohol to remove any excess sealant



10. Install Plumbing Fixtures

- Connect drain to sink. Connect trap to drain. Connect water supply connections to faucet according to manufacturer's instructions
- Run water into sink and check for leaks



Codes/Standards Applicable:



HELP LINE

Our customer service hours are Monday – Friday, 9am – 8pm EST.
Be sure to visit our website at www.kraususa.com

If you are a HOMEOWNER please contact a Kraus Customer Service Representative at:

Kraus USA, Inc.
12 Harbor Park Drive
Port Washington, NY 11050
Toll-free 800-775-0703
Customerservice@kraususa.com

If you are a PLUMBING CONTRACTOR OR TRADE PROFESSIONAL please contact a Kraus Pro Representative at:

Kraus USA, Inc.
12 Harbor Park Drive
Port Washington, NY 11050
516-801-8955
Proservice@kraususa.com

If you are an AUTHORIZED PARTNER please contact a Partner Support Representative at:

Kraus USA, Inc.
12 Harbor Park Drive
Port Washington, NY 11050
516-801-8954
Partnersupport@kraususa.com

In requesting warranty service, please be ready to provide:

1. Proof of purchase.
2. A description of the problem.

REGISTER YOUR PRODUCT TODAY

Receive Proof of Ownership
Access Customer Care & Installation Help
Get Exclusive Kraus Offers & Promotions



Scan to Register Online
or visit <http://www.kraususa.com/registration>

We're always looking for ways to improve.

Please take a moment to share your experience.
Visit <http://www.kraususa.com/review> to let us know what you think
about your new Kraus product.

Contact Us to Learn More
1.800.775.0703 / www.kraususa.com / customerservice@kraususa.com
Like & Follow KrausUSA

Download the Kraus Care & Maintenance Guide at:
<http://www.kraususa.com/maintenance>



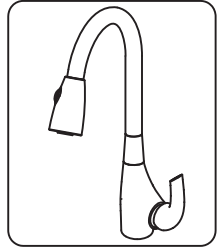
Kräus[®]

www.kraususa.com

Product Description and Measurements

Installation Instruction

Single Lever Pull Out Kitchen Mixer



Thank You

Dear Valued Customer,
Kraus would like to take this opportunity to thank you for purchasing Kraus products. It is our sincere hope that you are completely satisfied with your new purchase. We welcome any questions or comments you may have, and look forward to assisting you in the future.

Sincerely,
Kraus customer service department.

Prior To Installation Steps

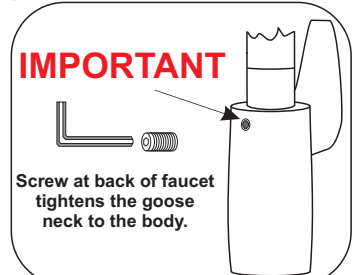
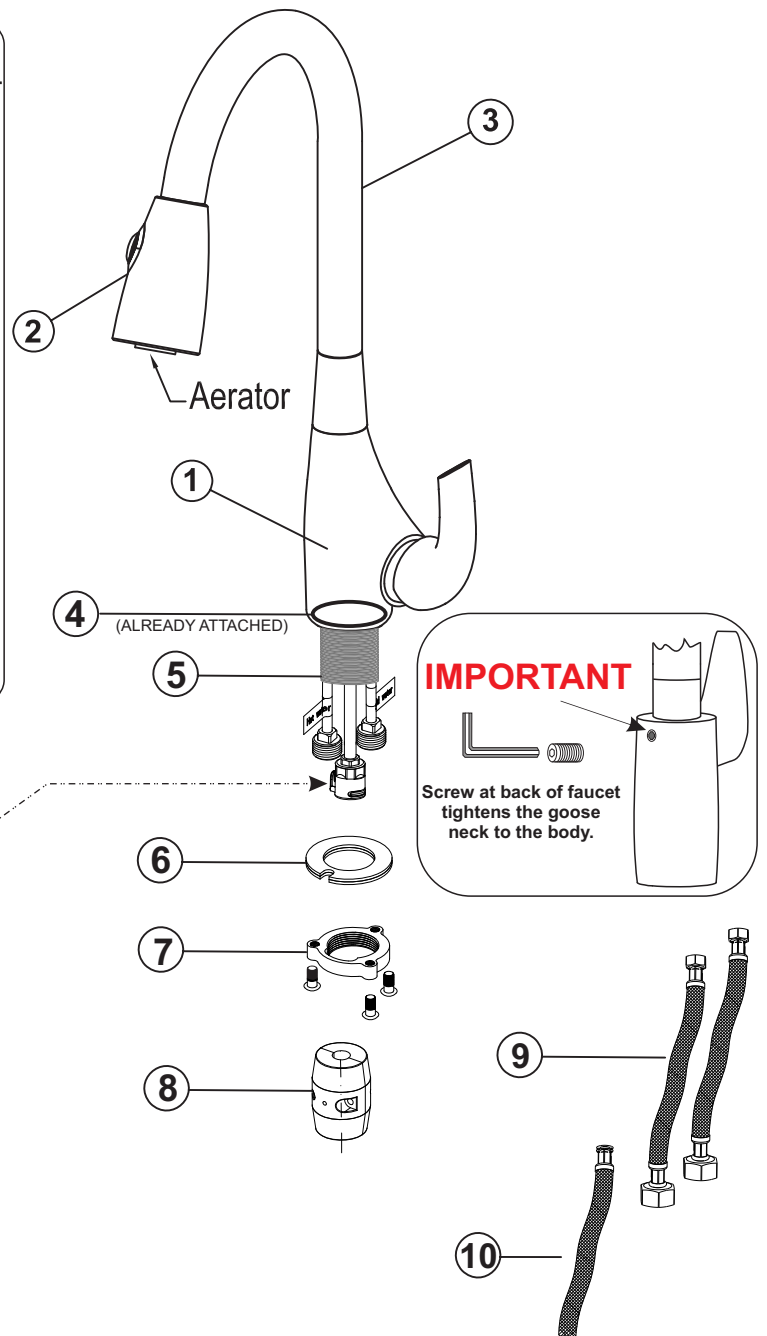
1. Unpack your new product and ensure that all the parts are contained in the packaging.
2. Keep the product in its original box until you are ready to install it.
3. Shut off the water supply if replacing a previously-installed faucet.
4. Observe all plumbing and building codes in your area.
5. It is recommended that installation of the product be done by a professional plumber.

Installation Steps

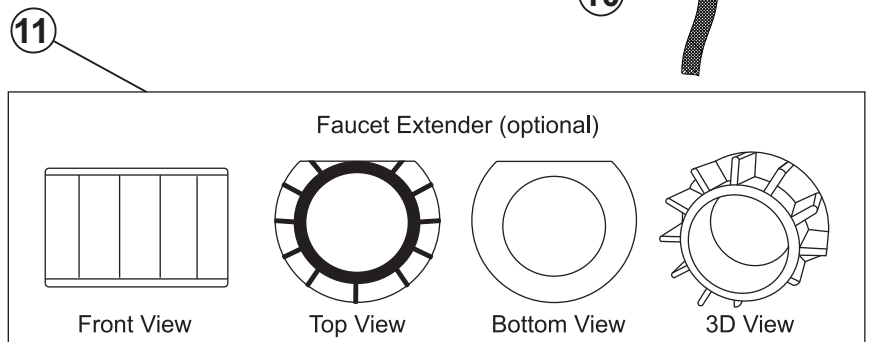
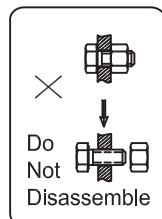
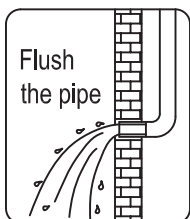
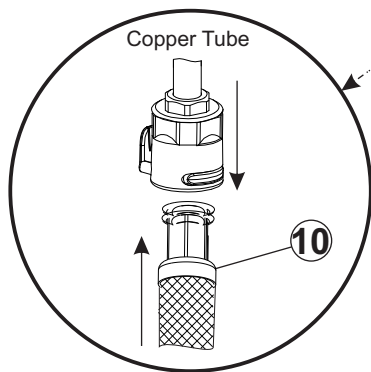
1. Shut off all water supply prior to installation.
2. Screw on the aerator head (#2) onto the spout (#3).
3. Place the faucet on the countertop.
4. If the countertop is thin or the faucet is being mounted on the sink itself, place the countertop extender (#11) from underneath the countertop and tighten it onto the tailpiece (#5). ****OPTIONAL****
5. Place the metal washer (#6) onto the tailpiece (#5) from underneath the countertop.
6. Place the fixing set (#7) onto tailpiece (#5) underneath the countertop and tighten it.
7. Connect pullout hose (#10) to copper tube. see details on page 2
8. Place the weight (#8) onto pullout hose (#10).
9. Screw in the hot and cold waterlines (#9) and attach them to the water supply.

Specification Parts List

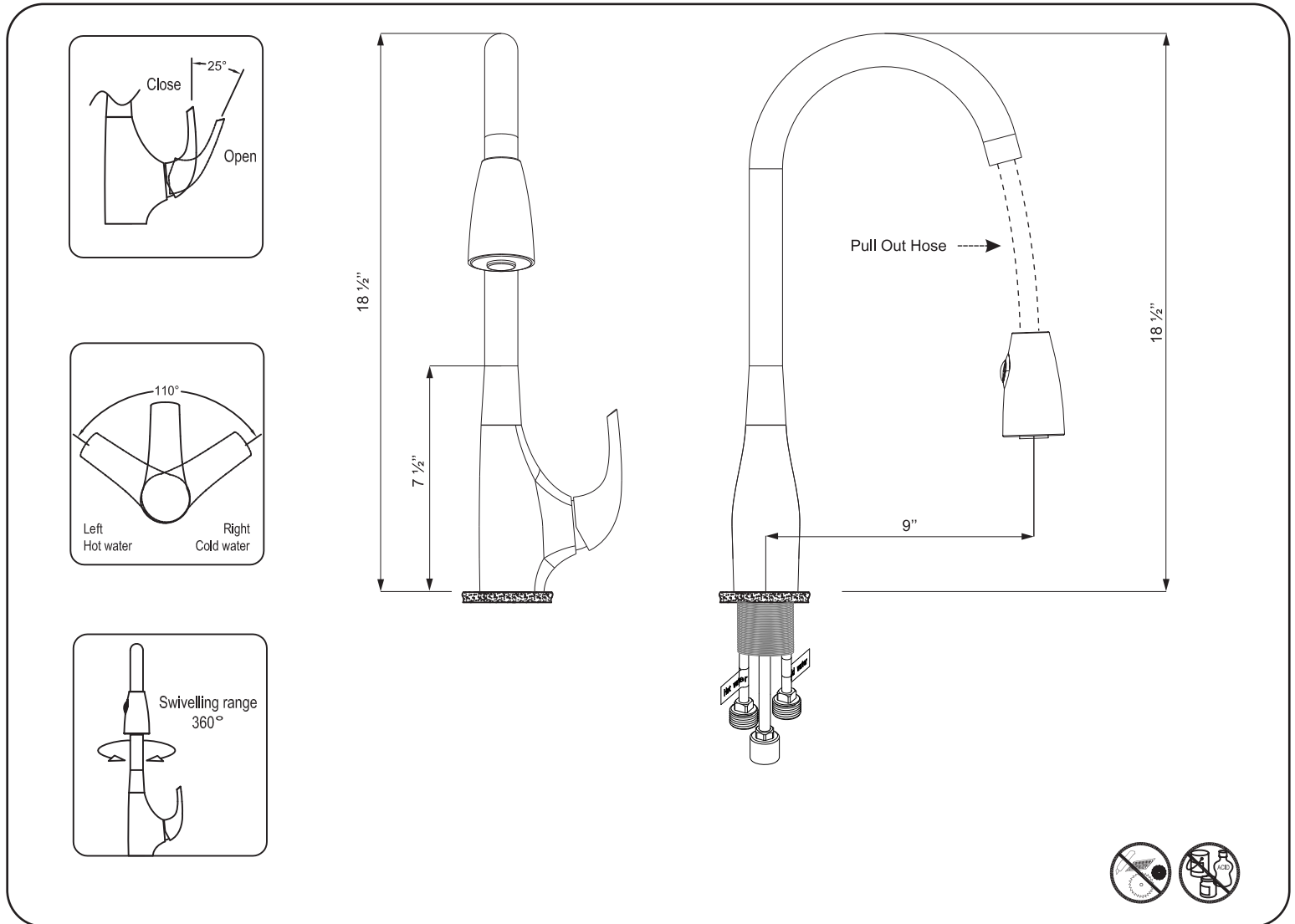
Code	Parts List	Quantity
1	Faucet Body	1
2	Aerator Head	1
3	Spout	1
4	Rubber Washer	1
5	Tailpiece	1
6	Metal Washer	1
7	Fixing set	1
8	Weight	1
9	Hot & Cold Water Lines	2
10	Pullout hose	1
11	Faucet Extender (optional)	1



Connecting pullout hose to copper tube



Installation Instructions



Care & Maintenance

In order to maintain your faucets original finish simply rinse with warm clean water and blot dry with a clean soft cloth only.

Avoid using corrosive detergents, polishers, scrapers or any other abrasive materials. In case a buildup of dirt or mineral deposits should occur, gently remove it using a mild detergent or a mixture of vinegar with water to soften the build up and clear it away. Rinse thoroughly and immediately with water to assure no detergent remains on the surface and dry with a soft cloth.

At Kraus your satisfaction with quality and durability of our products is extremely important to us. Therefore, we hope for you to keep our recommendation as a reminder, in order to prolong the lifespan of your faucet.

Kräus®

INSTALLATION MANUAL

Soap Dispensers

KSD-30

KSD-33

KSD-35

KSD-41

KSD-42

SD-20

SD-25

Thank you for your purchase

We would like to take this opportunity to thank you for choosing Kraus. We hope that you are completely satisfied with your purchase, and enjoy it for years to come. If you have any questions, or require technical assistance, please contact us at 800.775.0703 and one of our representatives will be happy to help.

For more information about Kraus products, please visit:

www.kraususa.com

In order to activate your warranty and get faster access to customer support, please register your new Kraus product at:

www.kraususa.com/registration

Sincerely,

Kraus USA Customer Service

PRIOR TO INSTALLATION

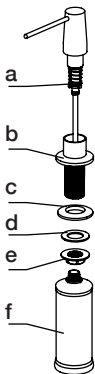
- Make sure you have all necessary parts by checking the diagram and parts list. If any part is missing or damaged, please contact Kraus Customer Service at 800-775-0703 for a replacement
- Pre-drilled hole size requirement: 1-1/4"
- Max countertop thickness without deck plate: 1-3/8"

For technical assistance or replacement parts, please contact Kraus Customer Service and one of our representatives will be happy to help:

Toll-Free: 800.775.0703 or Customerservice@kraususa.com

The step-by-step guidelines in the installation instructions are a general reference for installing a Kraus Sink. Should there be any discrepancies, Kraus cannot be held liable. It is recommended to install all Kraus products by hiring a licensed professional.

GDA-1 Diagram and Parts List:



- a. Pump*
- b. Dispenser Base*
- c. Rubber Washer A*
- d. Rubber Washer B*
- e. Mounting Nut*
- f. Dispenser Bottle*

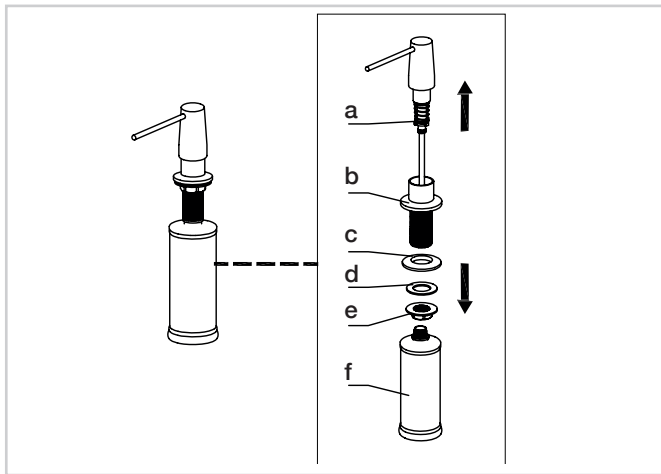
TOOLS REQUIRED:



*Adjustable Wrench

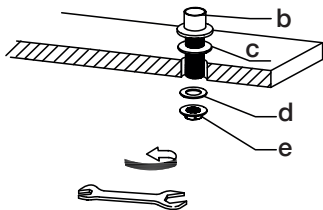
Step 1

Disassemble soap dispenser



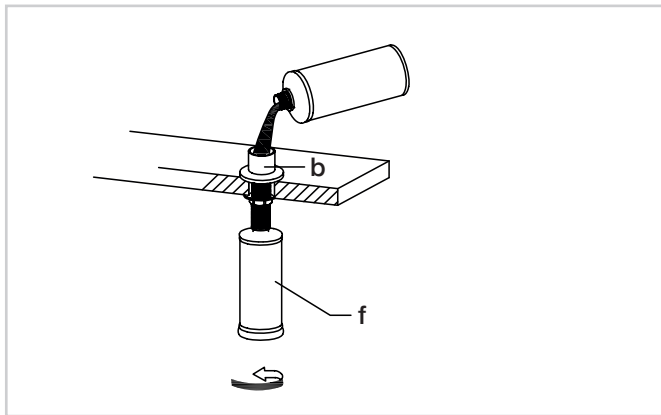
Step 2

Install dispenser base (b) with rubber washer A (c) attached into the hole in the countertop. Re-install rubber washer B (d) and mounting nut (e) on the dispenser base (b) from underneath the countertop. Tighten mounting nut (e) with adjustable wrench until snug



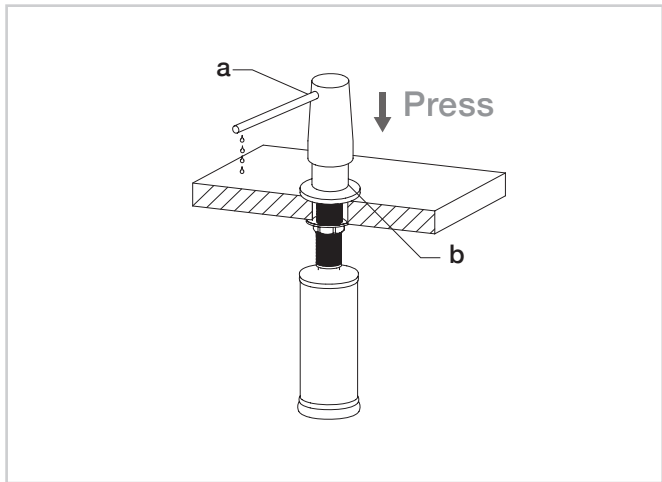
Step 3

Screw the dispenser bottle (f) to the dispenser base (b) from underneath the countertop. Tighten as required. Fill the dispenser bottle (f) from the top with 12 ounces of soap



Step 4

Insert pump (a) into dispenser base (b) from the top. Press the pump several times to make sure soap is evenly distributed



HELP LINE

Our customer service hours are Monday – Friday, 9am – 8pm EST.

Be sure to visit our website at www.kraususa.com

If you are a HOMEOWNER please contact a Kraus Customer Service Representative at:

Kraus USA, Inc.
12 Harbor Park Drive
Port Washington, NY 11050
Toll-free 800-775-0703
Customerservice@kraususa.com

If you are a PLUMBING CONTRACTOR OR TRADE PROFESSIONAL please contact a Kraus Pro Representative at:

Kraus USA, Inc.
12 Harbor Park Drive
Port Washington, NY 11050
516-801-8955
Proservice@kraususa.com

If you are an AUTHORIZED PARTNER please contact a Partner Support Representative at:

Kraus USA, Inc.
12 Harbor Park Drive
Port Washington, NY 11050
516-801-8954
Partnersupport@kraususa.com

In requesting warranty service, please be ready to provide:

1. Proof of purchase.
2. A description of the problem.

Kräus®

www.kraususa.com

REGISTER YOUR PRODUCT TODAY



Receive Proof of Ownership

Access Customer Care & Installation Help

Get Exclusive Kraus Offers & Promotions

Scan to Register Online or visit
<http://www.kraususa.com/registration>

We're always looking for ways to improve.

Please take a moment to share your experience.

Visit <http://www.kraususa.com/review> to let us know what you think about your new Kraus product.

Contact Us to Learn More

1.800.775.0703 / www.kraususa.com / customerservice@kraususa.com

Like & Follow KrausUSA

Download the Kraus Care & Maintenance Guide at:

<http://www.kraususa.com/maintenance>



Kräus[®]

www.kraususa.com