

The logo features the word "Kraus" in a white, serif font with a registered trademark symbol (®) to the upper right. The letter "K" is stylized with three horizontal lines passing through its vertical stem. The letters "a" and "u" have three horizontal lines passing through them as well. The logo is set against a solid black rectangular background.

INSTALLATION MANUAL

Kraus Stainless Steel Undermount Kitchen Sink

KBU10 / KBU11 / KBU12 / KBU14 / KBU15 / KBU16 /
KBU17 / KBU21 / KBU22 / KBU23 / KBU24 / KBU25
/ KBU26 / KBU27 / KBU28 / KBU29

Thank you for your purchase

We would like to take this opportunity to thank you for choosing Kraus. We hope that you are completely satisfied with your purchase, and enjoy it for years to come. If you have any questions, or require technical assistance, please contact us at 800.775.0703 and one of our representatives will be happy to help.

For more information about Kraus products, please visit:

www.kraususa.com

In order to activate your warranty and get faster access to customer support, please register your new Kraus product at:

www.kraususa.com/registration

Sincerely,

Kraus USA Customer Service

Prior to Installation:

- Make sure that you have all necessary parts by checking the parts list. If any part is missing or damaged, please contact Kraus Customer Service at 800-775-0703 for a replacement
- Inspect the sink prior to installation to make sure that it has not been damaged or during shipping
- Use the cut-out template provided by Kraus
- Observe all plumbing and building codes according to your state requirements
- Not recommended to be installed with laminate countertop

Parts List

- Cut-Out Template
- Mounting Hardware
- Bottom Grids
- Drain

For technical assistance or replacement parts, please contact Kraus

Customer Service and one of our representatives will be happy to help:

Toll-Free: 800-775-0703 or Customerservice@kraususa.com

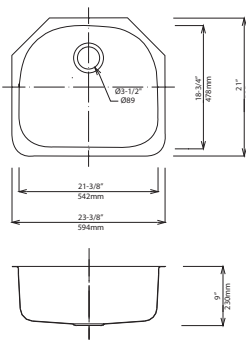
The step-by-step guidelines in the installation instructions are a general reference for installing a Kraus Sink. Should there be any discrepancies, Kraus cannot be held liable. It is recommended to install all Kraus products by hiring a licensed professional.

Tools you will need:

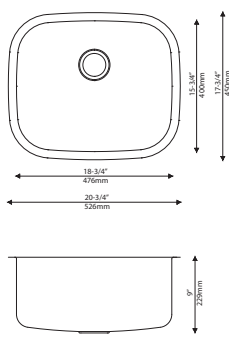


NOTE: Specialized tools may be necessary to install Kraus Stainless Steel Undermount sinks with countertop materials other than wood, marble, or granite

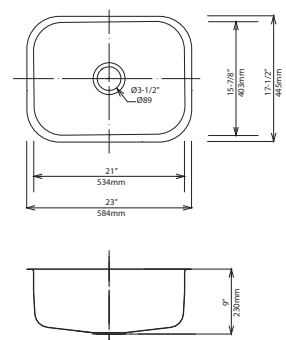
Dimensions



KBU10
 23 3/8" x 21" x 9"
 Min Cabinet Size: 27"
 Matching Grid: KBG-10
 Drain Model #: BST-1

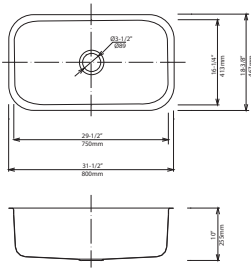


KBU11
 20 3/4" x 17 3/4" x 9"
 Min Cabinet Size: 24"
 Matching Grid: KBG-11
 Drain Model #: BST-1

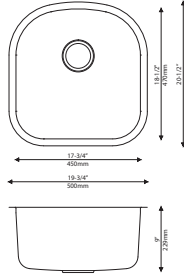


KBU12
 23" x 17 1/2" x 9"
 Min Cabinet Size: 27"
 Matching Grid: KBG-12
 Drain Model #: BST-1

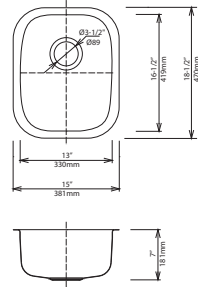
Dimensions



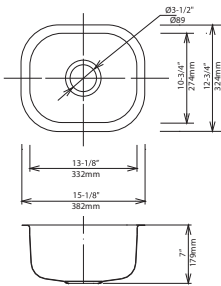
KBU14
 31 1/2" x 18 3/8" x 10"
 Min Cabinet Size: 36"
 Matching Grid: KBG-14
 Drain Model #: BST-1



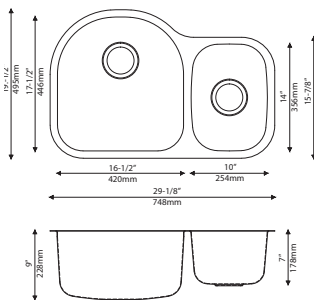
KBU15
 19 3/4" x 20 1/2" x 9"
 Min Cabinet Size: 24"
 Matching Grid: KBG-15
 Drain Model #: BST-1



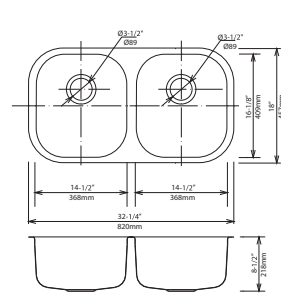
KBU16
 15" x 18 1/2" x 7"
 Min Cabinet Size: 18"
 Drain Model #: ST-1



KBU17
 15 1/8" x 12 3/4" x 7"
 Min Cabinet Size: 18"
 Drain Model #: ST-1

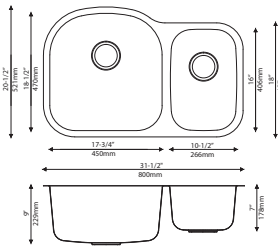


KBU21
 29 1/8" x 19 1/2" x 9"
 Min Cabinet Size: 33"
 Matching Grid: KBG-21-1
 and KBG-21-2
 Drain Model #: BST-1 & ST-1

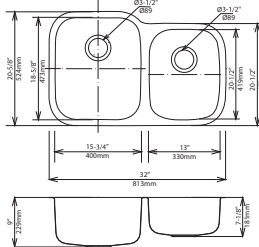


KBU22
 32 1/4" x 18" x 8 1/2"
 Min Cabinet Size: 36"
 Matching Grid: KBG-22-1
 and KBG-22-2
 Drain Model #: BST-1 & ST-1

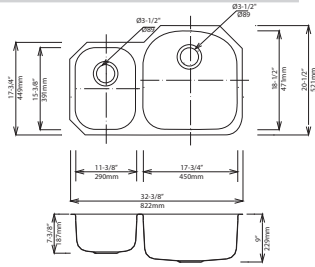
Dimensions



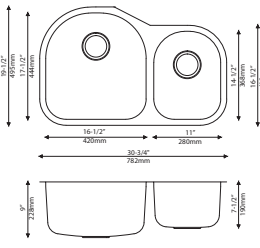
KBU23
 31 1/2" x 20 1/2" x 9"
 Min Cabinet Size: 36"
 Matching Grid: KBG-23-1
 and KBG-23-2
 Drain Model #: BST-1 & ST-1



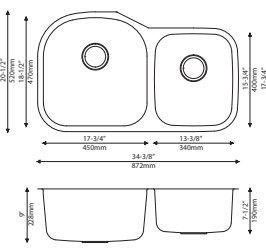
KBU24
 32" x 20 5/8" x 9"
 Min Cabinet Size: 36"
 Matching Grid: KBG-24-1
 and KBG-24-2
 Drain Model #: BST-1 & ST-1



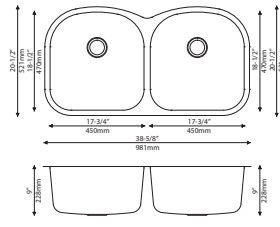
KBU25
 32 3/8" x 20 1/2" x 9"
 Min Cabinet Size: 36"
 Matching Grid: KBG-25-1
 and KBG-25-2
 Drain Model #: BST-1 & ST-1



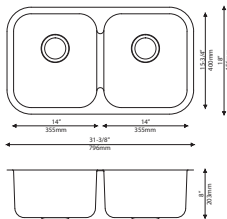
KBU26
 30 3/4" x 19 1/2" x 9"
 Min Cabinet Size: 36"
 Matching Grid: KBG-26-1
 and KBG-26-2
 Drain Model #: BST-1 & ST-1



KBU27
 34 3/8" x 20 1/2" x 9"
 Min Cabinet Size: 39"
 Matching Grid: KBG-27-1
 and KBG-27-2
 Drain Model #: BST-1 & ST-1



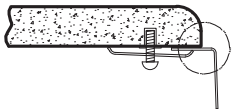
KBU28
 38 5/8" x 20 1/2" x 9"
 Min Cabinet Size: 42"
 Matching Grid: KBG-28-1
 and KBG-28-2
 Drain Model #: BST-1 & ST-1



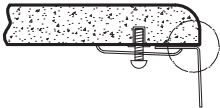
KBU29
 31.5" x 18.5" x 10"
 Min Cabinet Size: 36"
 Matching Grid: KBG-29-1 and KBG-29-2
 Drain Model #: BST-1 & ST-1

1. Determine Reveal Type

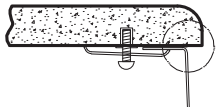
Use scissors to cut along the line of the paper template for your desired reveal type (Negative, Positive, or Flushed Reveal)



3/8" Positive Reveal

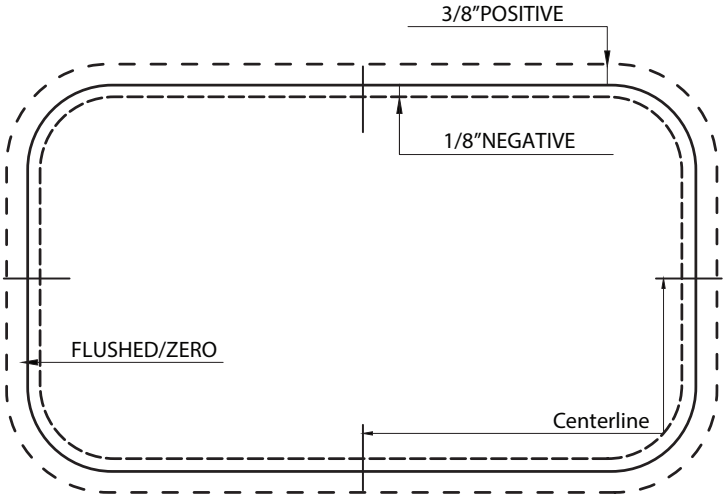


Flushed/Zero Reveal



1/8" Negative Reveal

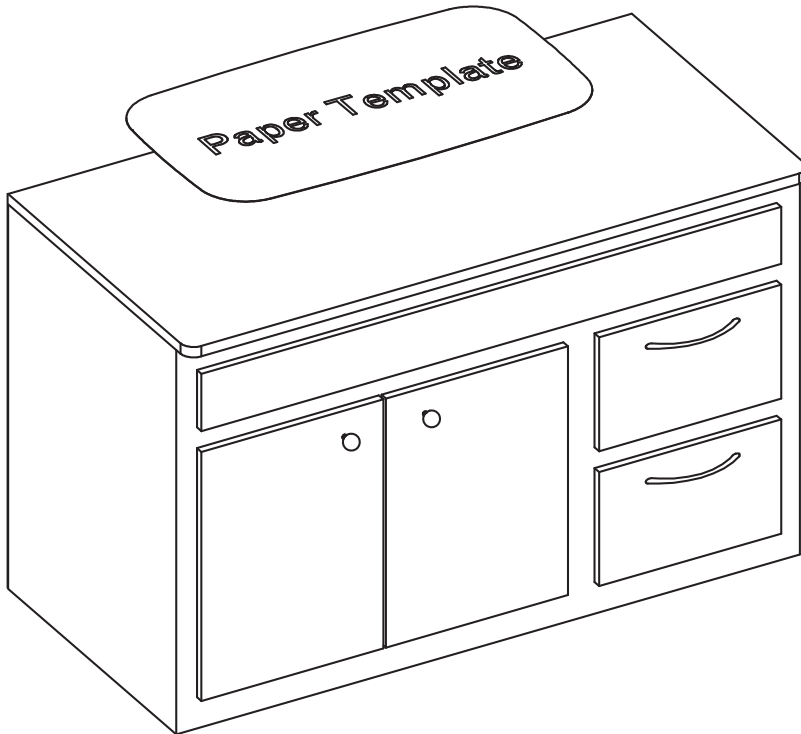
KRAUS Recommended Installation Type



2. Position Template

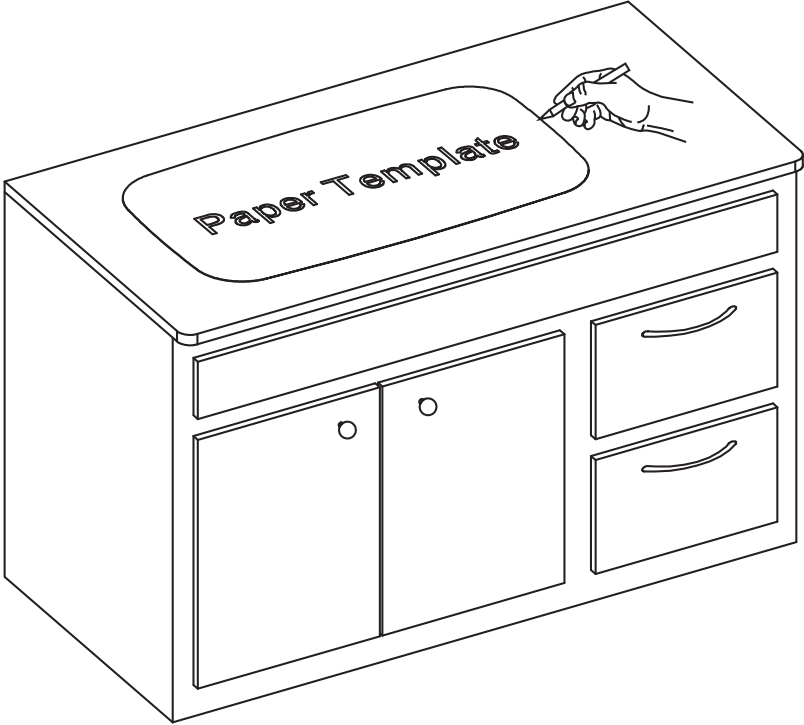
- Check the cut-out template against the actual sink to ensure a proper sized cut-out
- Place the cut-out template in the desired location on the countertop

NOTE: Make sure clearance is suitable for backsplash, faucet, and plumbing for the sink



3. Trace Template

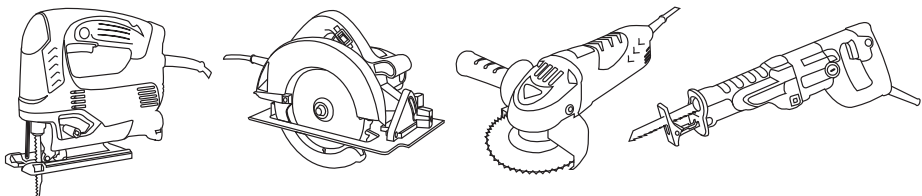
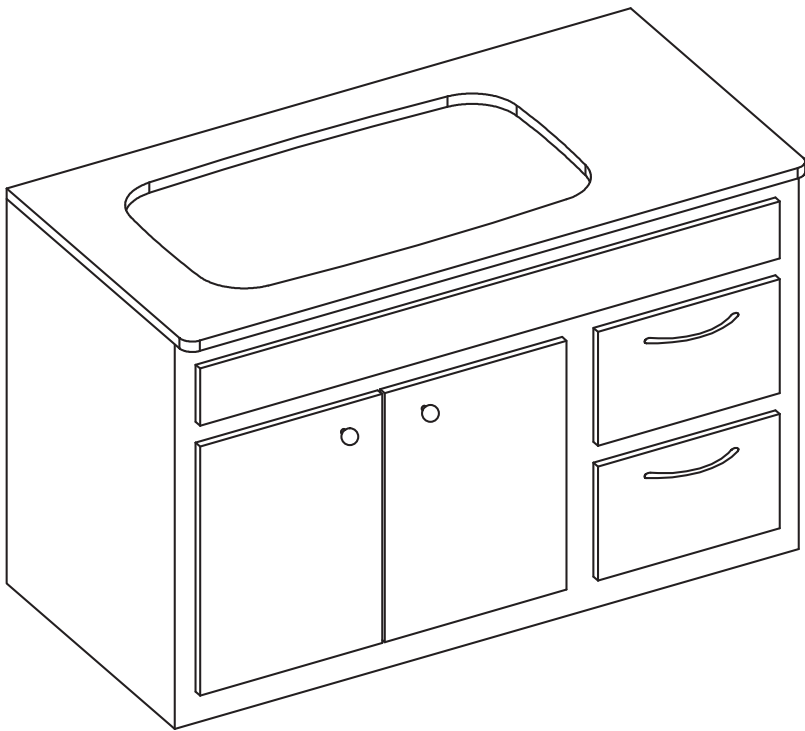
- Trace template on countertop with a pencil



4. Cut Countertop

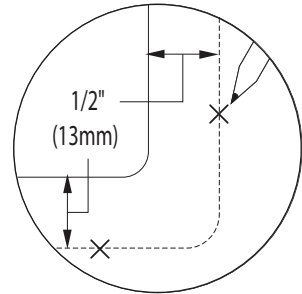
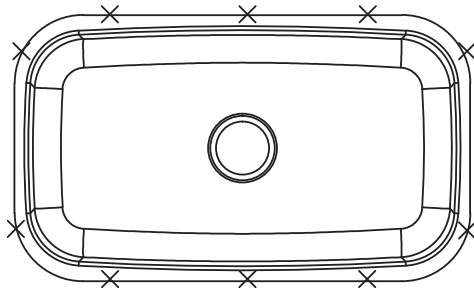
- Cut the opening in the countertop by carefully following the traced line

NOTE: Please use the appropriate saw that best fits your countertop material



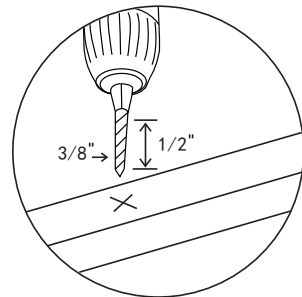
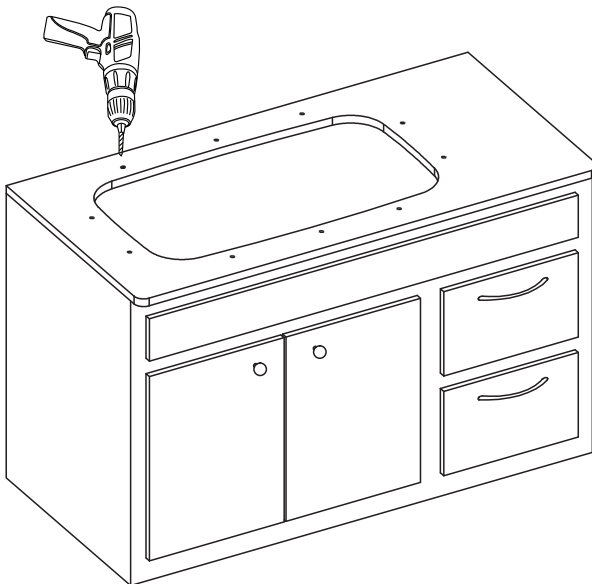
5. Set up Mounting Brackets

- Turn countertop over and align sink with countertop. Decide location for mounting brackets
- Mounting holes should be $\frac{1}{2}$ " from edge of sink



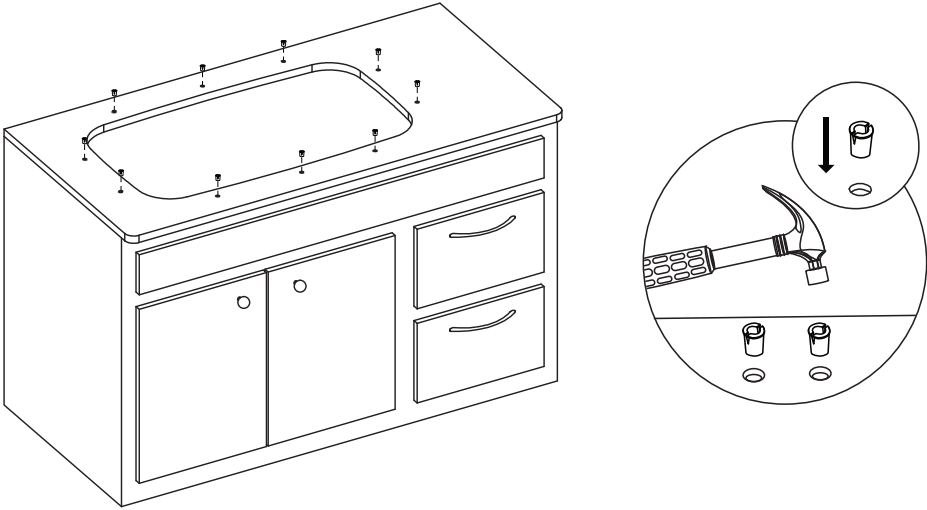
6. Drill Hole in Countertop

- Drill $\frac{3}{8}$ " diameter x $\frac{1}{2}$ " deep hole in the countertop



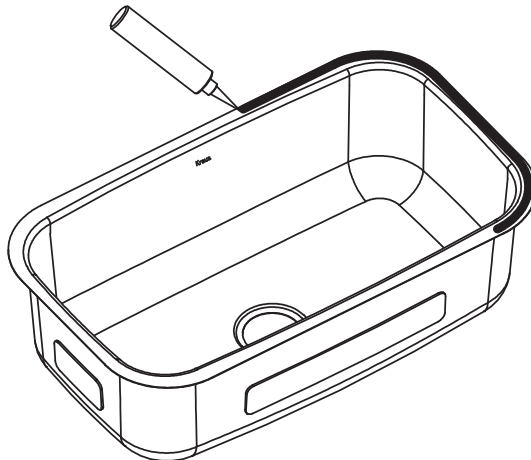
7. Install Anchors

- Insert anchors into drilled holes and lightly tap with a hammer until flush



8. Secure Sink to Countertop

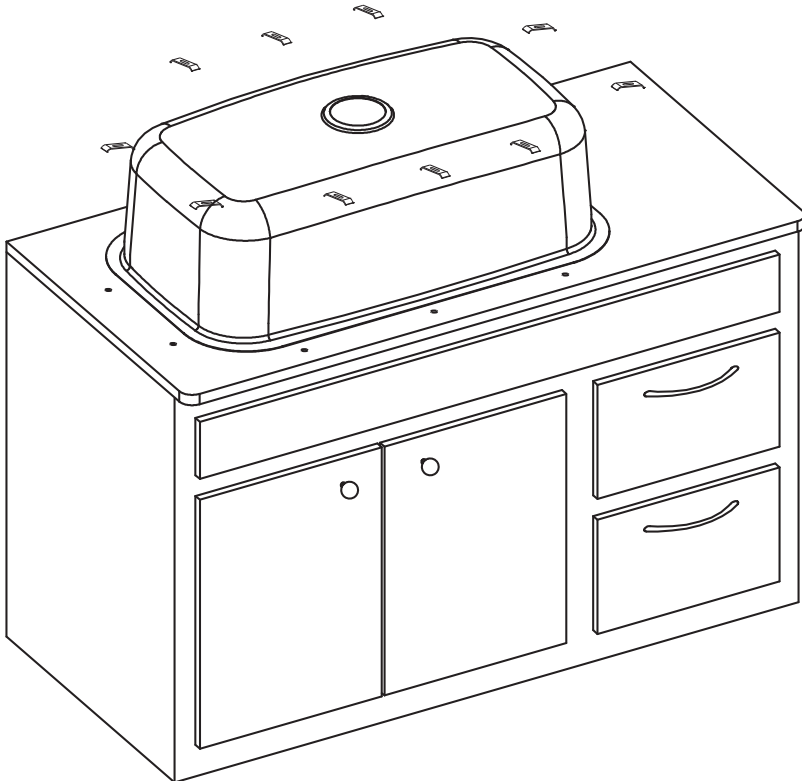
- Use a bead of silicone (or preferred adhesive) around the rim of the sink. Check the alignment of the sink to the cutout in the countertop. Place sink over cutout hole and press firmly



9. Attach Mounting Hardware

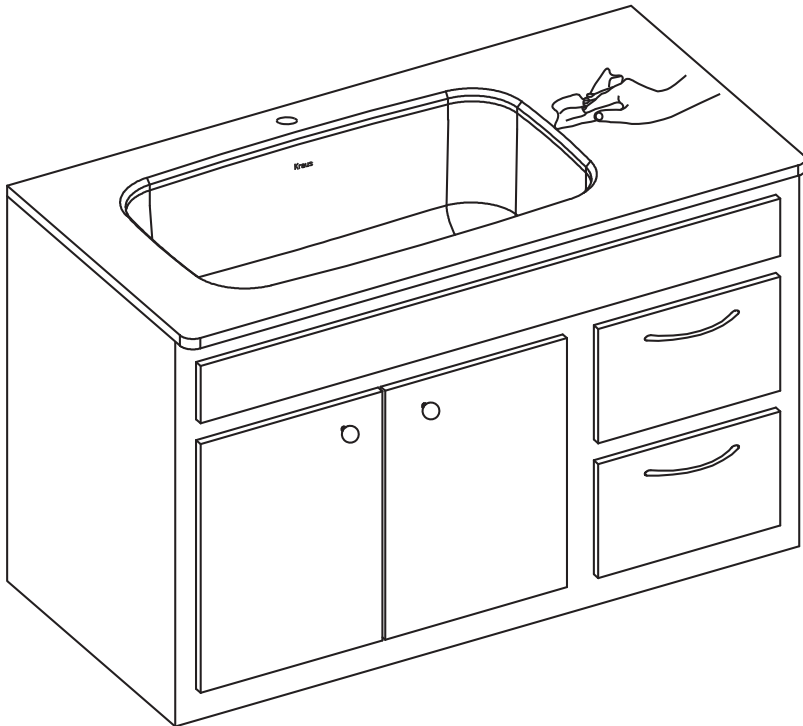
- Attach mounting hardware to secure bowl. Remove excess sealant from inside lip
- Allow sealant to set for 30 – 60 minutes

NOTE: Use acetone or rubbing alcohol to remove any excess sealant



10. Install Plumbing Fixtures

- Connect drain to sink. Connect trap to drain. Connect water supply connections to faucet according to manufacturer's instructions
- Run water into sink and check for leaks



Codes/Standards Applicable:



HELP LINE

Our customer service hours are Monday – Friday, 9am – 8pm EST.
Be sure to visit our website at www.kraususa.com

If you are a HOMEOWNER please contact a Kraus Customer Service Representative at:

Kraus USA, Inc.
12 Harbor Park Drive
Port Washington, NY 11050
Toll-free 800-775-0703
Customerservice@kraususa.com

If you are a PLUMBING CONTRACTOR OR TRADE PROFESSIONAL please contact a Kraus Pro Representative at:

Kraus USA, Inc.
12 Harbor Park Drive
Port Washington, NY 11050
516-801-8955
Proservice@kraususa.com

If you are an AUTHORIZED PARTNER please contact a Partner Support Representative at:

Kraus USA, Inc.
12 Harbor Park Drive
Port Washington, NY 11050
516-801-8954
Partnersupport@kraususa.com

In requesting warranty service, please be ready to provide:

1. Proof of purchase.
2. A description of the problem.

REGISTER YOUR PRODUCT TODAY

Receive Proof of Ownership
Access Customer Care & Installation Help
Get Exclusive Kraus Offers & Promotions



Scan to Register Online
or visit <http://www.kraususa.com/registration>

We're always looking for ways to improve.

Please take a moment to share your experience.
Visit <http://www.kraususa.com/review> to let us know what you think
about your new Kraus product.

Contact Us to Learn More
1.800.775.0703 / www.kraususa.com / customerservice@kraususa.com
Like & Follow KrausUSA

Download the Kraus Care & Maintenance Guide at:
<http://www.kraususa.com/maintenance>

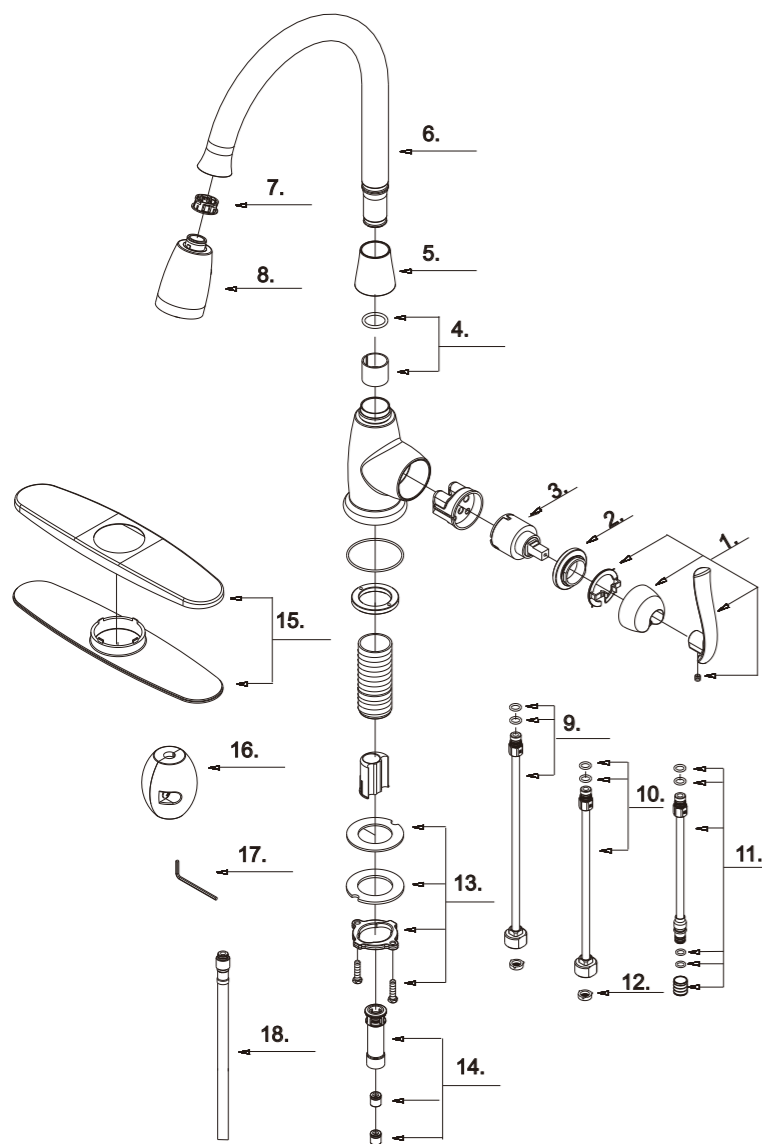


Kräus[®]

www.kraususa.com

Replacement Parts

Keep this manual for ordering replacement parts.



- 1 Metal Handle Assembly
- 2 Locking Nut
- 3 Ceramic Disc Cartridge
- 4 Spout Seal Kit
- 5 Spout Base
- 6 Spout
- 7 Hose Guide
- 8 Hand Spray w/Check Valve
- 9 Supply Pipe-Hot
- 10 Supply Pipe-Cold
- 11 Supply Pipe
- 12 Screen Washer
- 13 Mounting Hardware
- 14 Hose Adaptor Assembly
- 15 Cover Plate & Putty Plate
- 16 Weight
- 17 Hex Wrench(H2.5 * 19 mm L * 53 mm L)
- 18 Supply Hose

Trouble - Shooting

If you've followed the instructions carefully and your faucet still does not work properly, take these corrective steps.

Problem	Cause	Action
Leakage under the handle.	Adjusting ring or cap has come loose.	Tighten the adjusting ring or cap.
Aerator leaks or has an inconsistent water flow pattern.	Aerator is dirty or misfitted.	Unscrew the aerator to check rubber packing or replace the aerator.
Water will not shut off completely.	Dirty or worn out plastic washer in the cartridge.	Remove the handle and the cartridge to check if the ceramic dish is dirty or permanently damaged.

Contact Us Toll-Free at 1-800-775-0703; or visit our website at www.kraususa.com. © 2008-2009 Kraus USA Inc.

Kräus®

Where Creativity Is Endless

Dear Valued Customer,

Kraus would like to take this opportunity to thank you for purchasing Kraus products. It is our sincere hope that you are completely satisfied with your new purchase. We welcome any questions or comments you may have, and look forward to assisting you in the future.

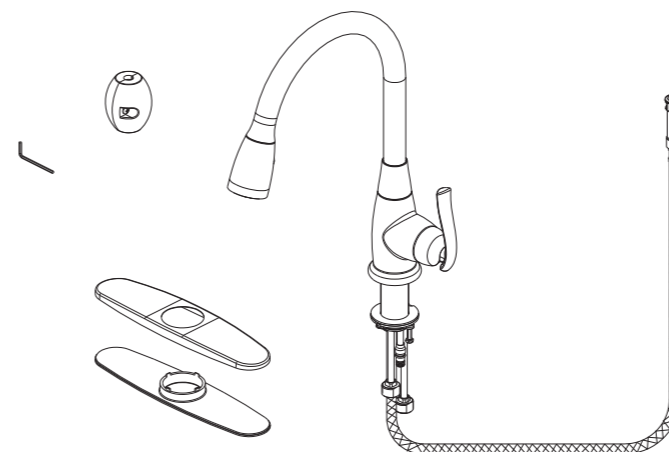
Sincerely,
Kraus Customer Service Department.



Single Control Kitchen Faucet

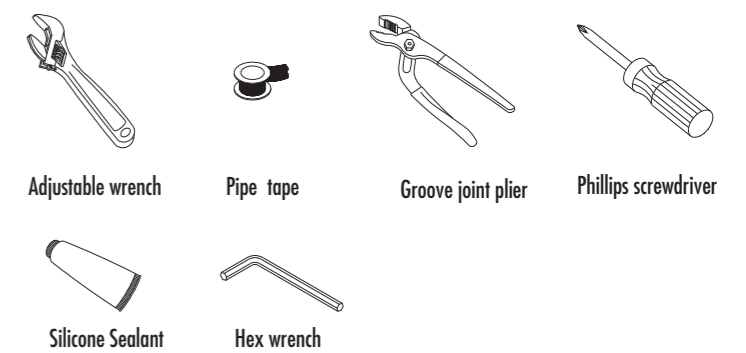
Before Your Installation

Check to make sure you have the following parts indicated below:



Model
KPF-2230 CH
KPF-2230 SN
KPF-2230 ORB

Tools You Will Need



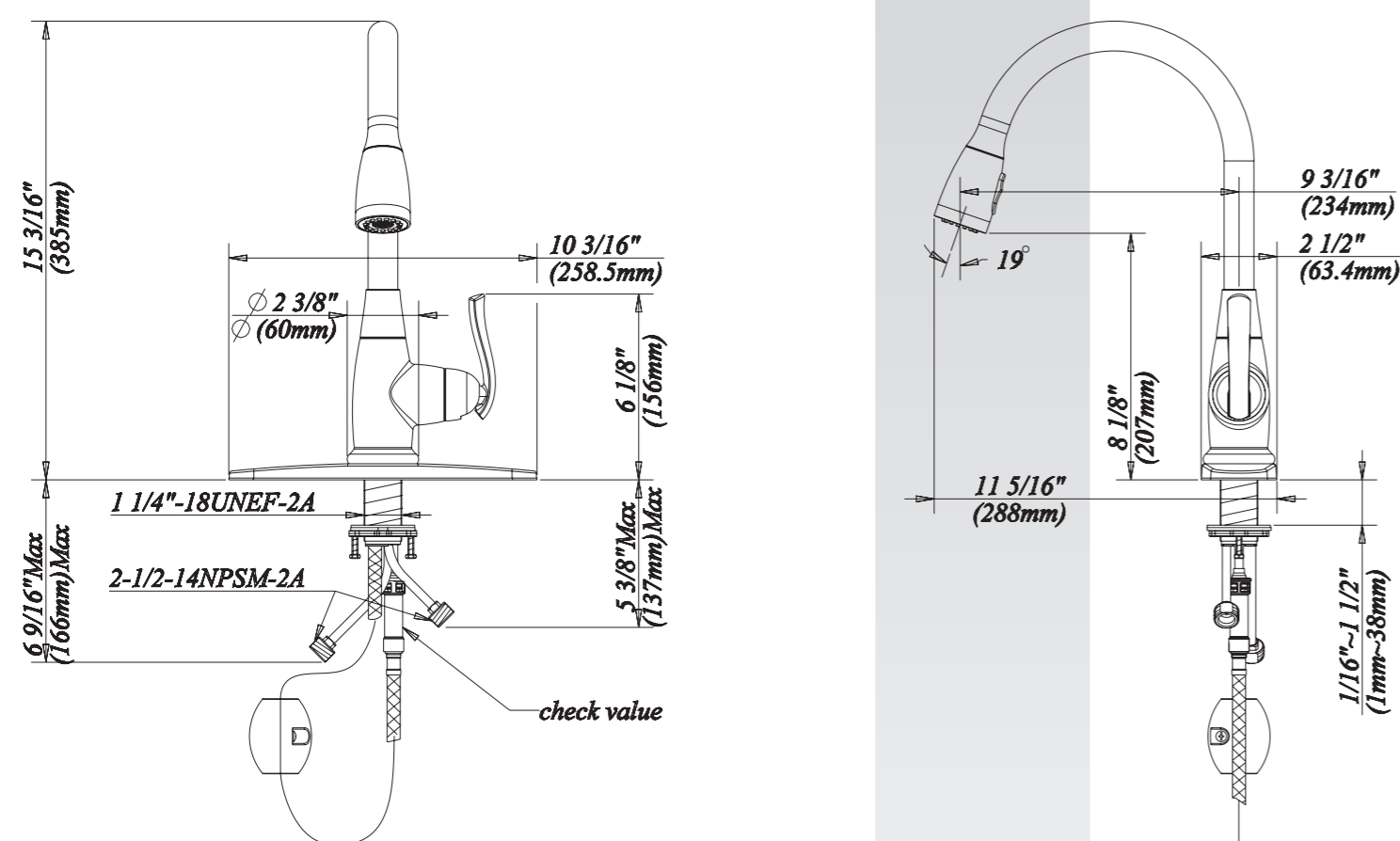
SAFETY TIPS

- Cover your drain to avoid losing parts.
- When installing flexible hose, please notice: there should be no torsion or deformation; do not fold into Shape V or L; do not use if there is any crack or deformation.

Contact Us Toll-Free at 1-800-775-0703; or visit our website at www.kraususa.com. © 2008-2009 Kraus USA Inc.

Faucet Installation Procedure

Shut off main water supply before installation.

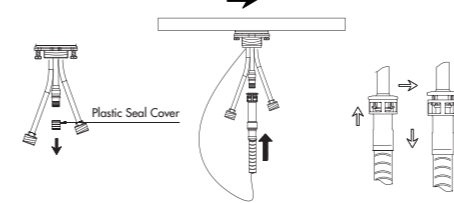


The fittings should be installed by a licensed plumber.

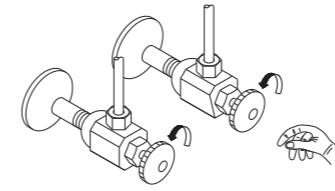
- 1 Remove preassembled mounting hardware from faucet
- 2 Position the cover plate and putty plate onto the sink, apply clear silicone sealant to putty plate. Install faucet body through top of sink. From underneath sink place mounting hardware and tighten with mounting nut.
- 3 Attach metal weight to hose to prevent hose from twisting and returns hose to proper position.

MAINTENANCE

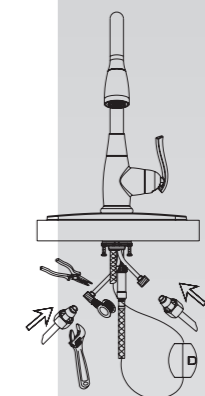
Your new faucet is designed for years of trouble-free performance. Keep it looking new by cleaning it periodically with a soft cloth. Avoid abrasive cleaners, steel wool and harsh chemicals as these will dull the finish and void your warranty.



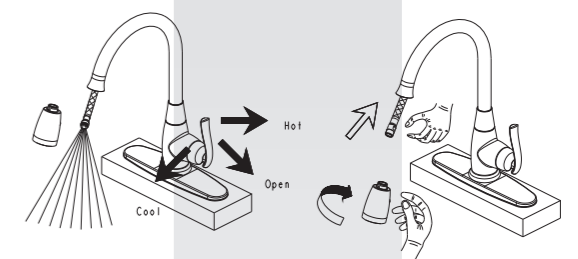
- 4 Remove the plastic seal cover from the outlet port prior to pushing the hose adapter onto the same port, you will hear a "click" sound once they are joined.



- 6 Open the water valve and check for leaks at supply line connection.



- 5 Tighten supply hose ends to faucet shank and water supply source. Note: Hand tighten the supply hose and then tighten 1/4 turn with adjustable wrench. Overtightening the supply hose can cause leaking. Purchase flexible supplies or bull-nose risers separately.



- 7 After installing faucet, remove pull-down spray and turn on water to remove any left over debris. Re-assemble spout.

KRAUS® Brand Kitchen Faucets Limited Lifetime Warranty

KRAUS is proud to offer its customers the strongest, most durable ceramic cartridges in all solid brass Kitchen Faucets it manufactures. KRAUS guarantees all of our products to be free of defect in materials and craftsmanship. All KRAUS BRAND Kitchen Faucets carry a limited lifetime warranty from the original date of purchase.

If a product fails due to defect in material or craftsmanship during the warranty period, KRAUS will repair or replace the items at our sole discretion. Warranty does not apply when the item has been tampered with, misused, improperly installed, altered, or damaged due to abuse or accident. Proof of purchase (original sales receipt) must be provided to KRAUS for all warranty claims. Please contact one of our representatives if you need any additional details.

All KRAUS products must be installed by a licensed professional plumber or contractor to avoid any improper use or installation.

IN NO EVENT SHALL KRAUS BE LIABLE FOR ANY INCIDENTAL, CONSEQUENTIAL OR SPECIAL DAMAGES, INSTALLATION COST, LABOR, TRAVEL TIME, FREIGHT COSTS INCURRED, LOST PROFITS, OR CONTINGENT LIABILITIES.

KRAUS USA Inc. makes no representation that its products comply with any or all local building or plumbing codes. It is the consumer's responsibility to determine local code compliance.

This warranty extends to the original purchaser and first consumer.

MAINTENANCE

Your new faucet is designed for years of trouble-free performance. Keep it looking new by cleaning it periodically with a soft cloth. Avoid abrasive cleaners, steel wool and harsh chemicals as these will dull the finish and void your warranty.



AB1953 Compliant

Kräus®

INSTALLATION MANUAL

Soap Dispensers

KSD-30

KSD-33

KSD-35

KSD-41

KSD-42

SD-20

SD-25

Thank you for your purchase

We would like to take this opportunity to thank you for choosing Kraus. We hope that you are completely satisfied with your purchase, and enjoy it for years to come. If you have any questions, or require technical assistance, please contact us at 800.775.0703 and one of our representatives will be happy to help.

For more information about Kraus products, please visit:

www.kraususa.com

In order to activate your warranty and get faster access to customer support, please register your new Kraus product at:

www.kraususa.com/registration

Sincerely,

Kraus USA Customer Service

PRIOR TO INSTALLATION

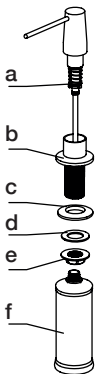
- Make sure you have all necessary parts by checking the diagram and parts list. If any part is missing or damaged, please contact Kraus Customer Service at 800-775-0703 for a replacement
- Pre-drilled hole size requirement: 1-1/4"
- Max countertop thickness without deck plate: 1-3/8"

For technical assistance or replacement parts, please contact Kraus Customer Service and one of our representatives will be happy to help:

Toll-Free: 800.775.0703 or Customerservice@kraususa.com

The step-by-step guidelines in the installation instructions are a general reference for installing a Kraus Sink. Should there be any discrepancies, Kraus cannot be held liable. It is recommended to install all Kraus products by hiring a licensed professional.

GDA-1 Diagram and Parts List:



- a. Pump*
- b. Dispenser Base*
- c. Rubber Washer A*
- d. Rubber Washer B*
- e. Mounting Nut*
- f. Dispenser Bottle*

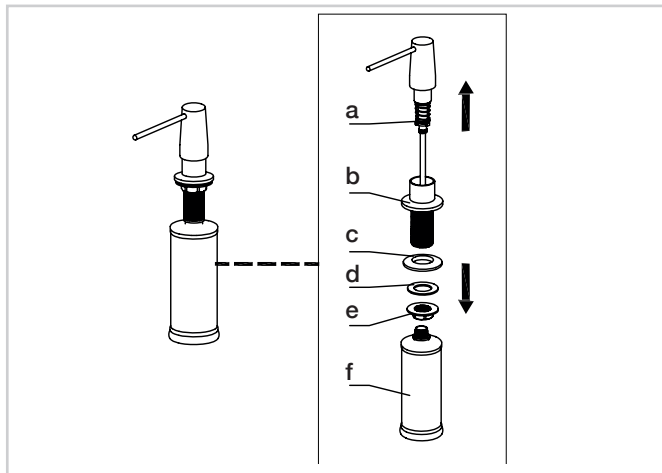
TOOLS REQUIRED:



*Adjustable Wrench

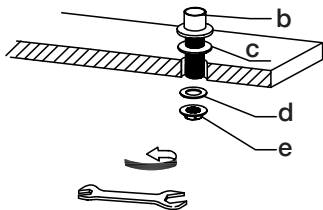
Step 1

Disassemble soap dispenser



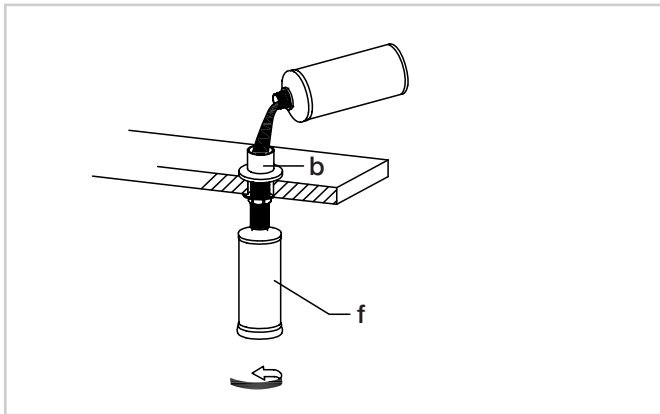
Step 2

Install dispenser base (b) with rubber washer A (c) attached into the hole in the countertop. Re-install rubber washer B (d) and mounting nut (e) on the dispenser base (b) from underneath the countertop. Tighten mounting nut (e) with adjustable wrench until snug



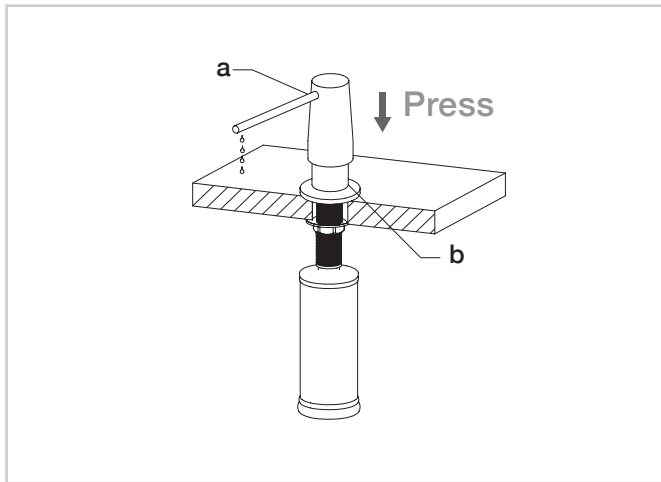
Step 3

Screw the dispenser bottle (f) to the dispenser base (b) from underneath the countertop. Tighten as required. Fill the dispenser bottle (f) from the top with 12 ounces of soap



Step 4

Insert pump (a) into dispenser base (b) from the top. Press the pump several times to make sure soap is evenly distributed



HELP LINE

Our customer service hours are Monday – Friday, 9am – 8pm EST.

Be sure to visit our website at www.kraususa.com

If you are a HOMEOWNER please contact a Kraus Customer Service Representative at:

Kraus USA, Inc.
12 Harbor Park Drive
Port Washington, NY 11050
Toll-free 800-775-0703
Customerservice@kraususa.com

If you are a PLUMBING CONTRACTOR OR TRADE PROFESSIONAL please contact a Kraus Pro Representative at:

Kraus USA, Inc.
12 Harbor Park Drive
Port Washington, NY 11050
516-801-8955
Proservice@kraususa.com

If you are an AUTHORIZED PARTNER please contact a Partner Support Representative at:

Kraus USA, Inc.
12 Harbor Park Drive
Port Washington, NY 11050
516-801-8954
Partnersupport@kraususa.com

In requesting warranty service, please be ready to provide:

1. Proof of purchase.
2. A description of the problem.

Kräus®

www.kraususa.com

REGISTER YOUR PRODUCT TODAY

Receive Proof of Ownership

Access Customer Care & Installation Help

Get Exclusive Kraus Offers & Promotions



Scan to Register Online or visit
<http://www.kraususa.com/registration>

We're always looking for ways to improve.

Please take a moment to share your experience.

Visit <http://www.kraususa.com/review> to let us know what you think about your new Kraus product.

Contact Us to Learn More

1.800.775.0703 / www.kraususa.com / customerservice@kraususa.com

Like & Follow KrausUSA

Download the Kraus Care & Maintenance Guide at:

<http://www.kraususa.com/maintenance>



Kräus[®]

www.kraususa.com