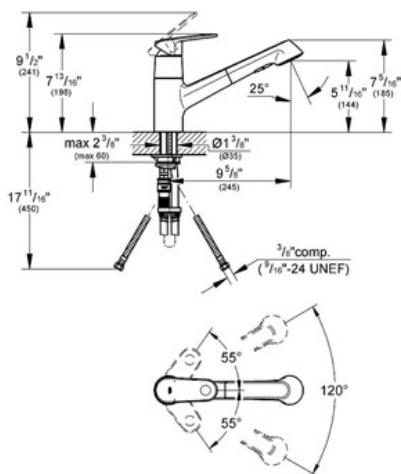


EUROPLUS  
Single-lever sink mixer 1/2"  
MODEL # 32946

Pure Freude an Wasser



GROHE America, Inc | 200 North Gary Avenue, Suite G, Roselle, IL 60172  
Phone: +1 (800) 444-7643 | Fax: +1 (800) 225-2778 | us-customerservice@grohe.com



**Product Description:**  
Single-lever sink mixer 1/2"

**Standard Specification:**

- GROHE StarLight® finish
- GROHE SilkMove® ceramic cartridge
- Low spout
- Single hole installation
- Metal lever
- Adjustable flow rate limiter
- Pull-out spray
- Diverter: aerator/shower jet
- Automatic return to aerator
- Swivel area 120°
- Stainless Steel Braided Flexible Supplies
- Quick installation system
- **Protected against backflow**
- Max Flow Rate 1.75 gpm (6.6 L/min)

**Applicable Codes & Standards:**

- Energy Policy Act of 1992
- NSF 61
- ASME A112.18.1/CSA B125.1
- US Federal and State material regulations
- ICC/ANSI A117.1

**Color:**

- 32946
- 32946 20E
- 32946 DC2 supersteel
- 32946 DCE supersteel