

KBU12

23 Inch Undermount Single Bowl 16 Gauge
Stainless Steel Kitchen Sink
Satin Finish

Kräus®

SPECIFICATION SHEET

Material

16 Gauge Stainless Steel

Minimum Cabinet Size

Undermount : 27"

Installation Type

Undermount

Dimensions

Sink Dimensions: 23" x 17 1/2" x 9"

Bowl Type

Single Bowl Sink
Pressed

Accessories Included

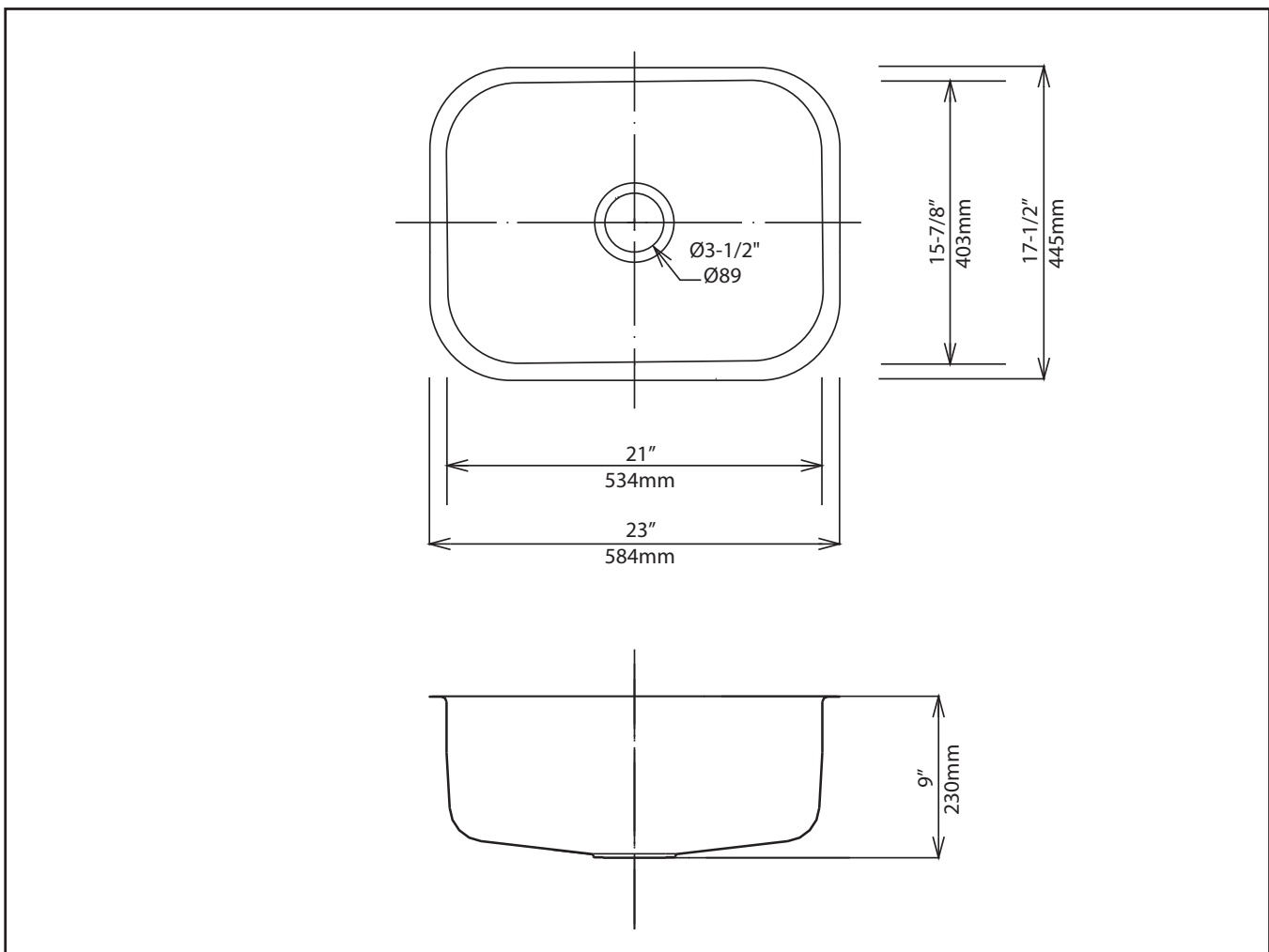
KBG-12, Strainer, Mounting Hardware,
Template, Towel

Technology

Noise Defend

Kraus Limited Lifetime Warranty: See website for details www.kraususa.com

1.800.775.0703 / customerservice@kraususa.com



KPF-2160

Single Lever Stainless Steel Kitchen Faucet

Stainless Steel Finishes

Kräus®

SPECIFICATION SHEET

Material

Body: SUS 304
Handle: SUS 304
Waterway: Stainless Steel

Spout

Swivel: 180
Design: Full Body

Sprayhead

Flow Rate: 1.8 gpm (6.8L/min) @ 60PSI
Aerator: Neoperl/1.8GPM
Name: Perlator Honeycomb
Function: Stream

Cartridge

Brand: CeramTEC
Size: 35mm
Style: Lever

Mounting

Holes: 1 Hole
Type: Bolt & U-Washer

Waterlines

Type : Neoperl, 500mm
Flexible
Connections: 3/8"
Materials: Braided Stainless Steel
Included
Factory Installed

Dimensions

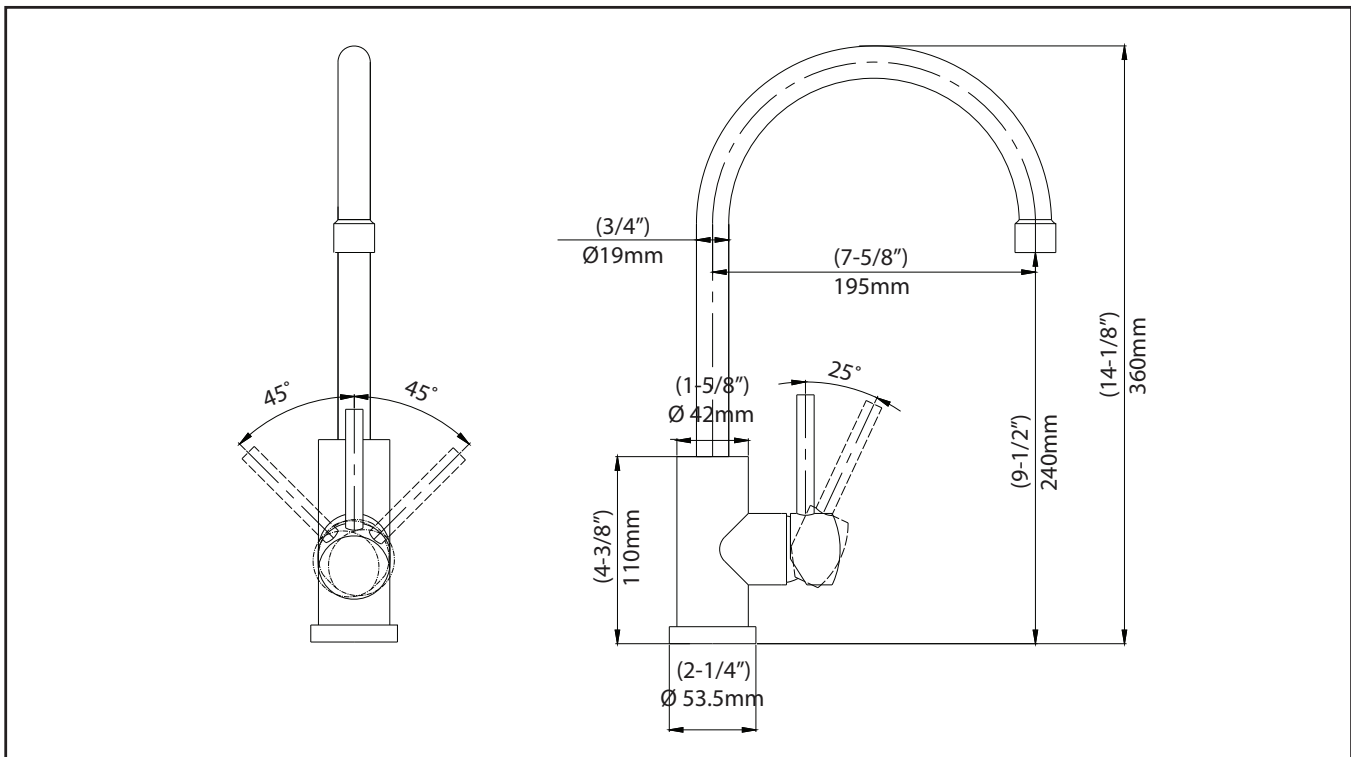
Faucet Dimensions: 14 1/8" x 7 5/8" x 2 1/4"
Handle Clearance: 2 7/8"

Accessories Included

Aerator Key, Spanner, Hex Wrench

Kraus Limited Lifetime Warranty: See website for details www.kraususa.com

1.800.775.0703 / customerservice@kraususa.com



Codes/Standards: Meets ASME A112.18.1/CSA B125.1, NSF/ANSI Standard 61 certified by IAPMO, NSF/ANSI Standard 372 certified by IAPMO, CAL GREEN, CEC, DOE, ADA

REV. August 16, 2016

SD-20

Stainless Steel Soap Dispenser

Kräus®

SPECIFICATION SHEET

Finish

Stainless Steel

Material

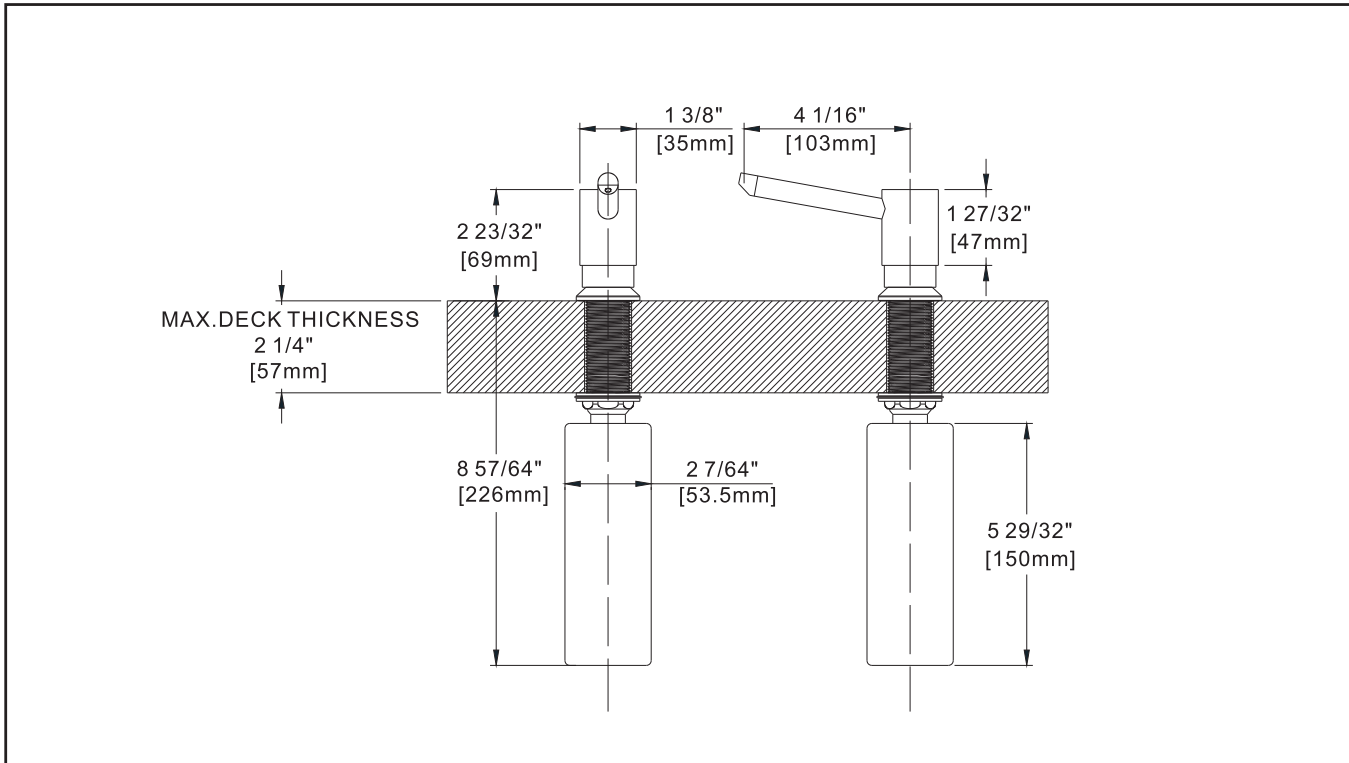
Stainless Steel

Features

- Solid Stainless Steel Construction
- Self-Priming Pump
- Refillable from Above
- Holds up to 14 oz. of Liquid
- Pump: 2-23/32"
- Spout: 4-1/16"

Kraus Limited Lifetime Warranty: See website for details www.kraususa.com

1.800.775.0703 / customerservice@kraususa.com



REV. August 18, 2016