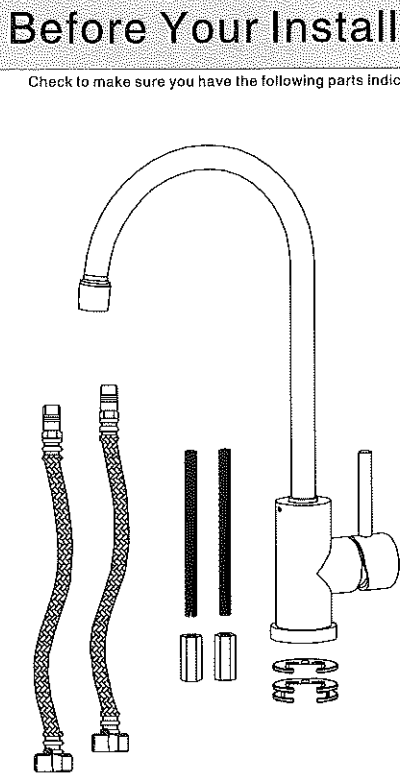


Installation Instruction

Single Handle Kitchen Faucet

Before Your Installation

Check to make sure you have the following parts indicated below:



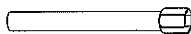
Tools You Will Need



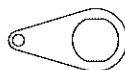
Adjustable wrench



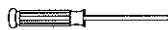
Pipe tape
(supplied)



Spanner for body
(supplied)



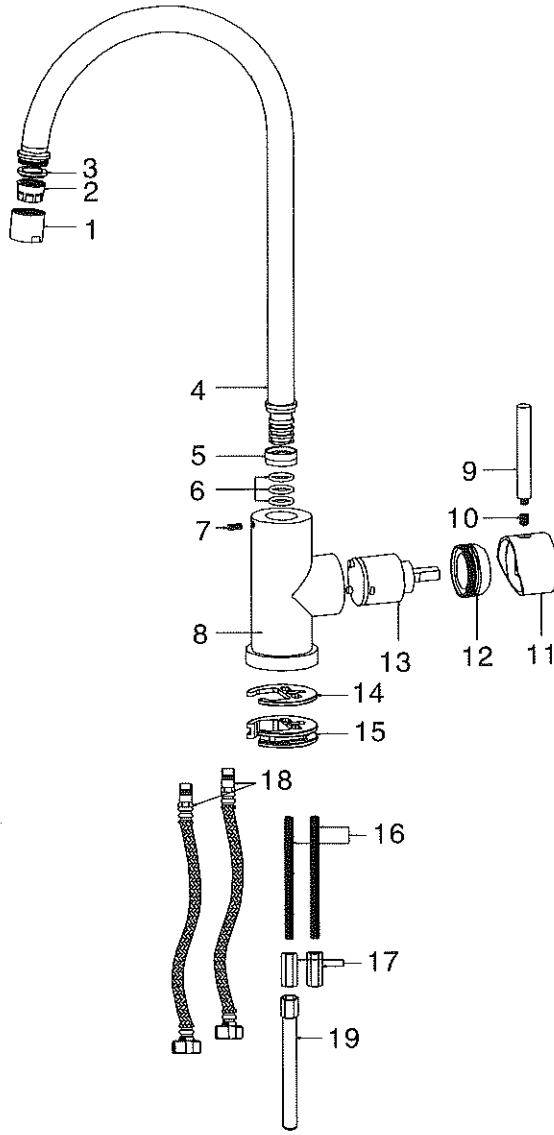
Spanner for aerator
(supplied)



Phillips screwdriver

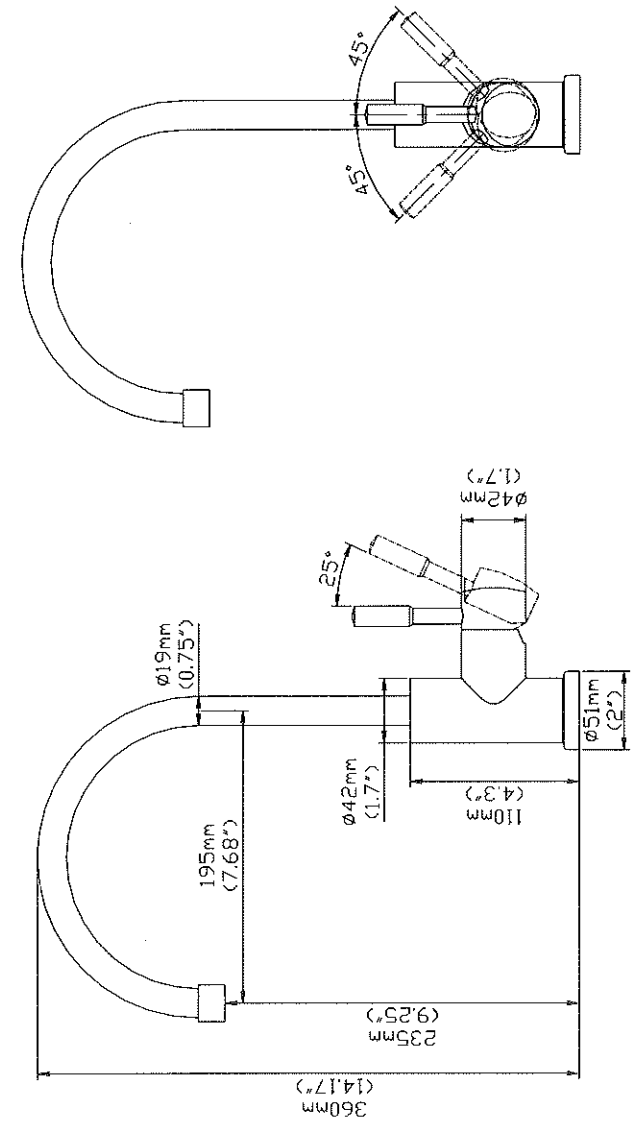
Replacement Parts

Keep this manual for ordering replacement parts.



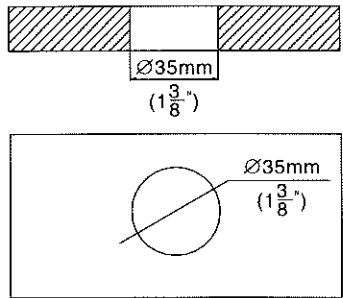
NO	NAME
1.	Aerator holder
2.	Aerator
3.	Gasket
4.	Spout
5.	Spout gasket
6.	O ring
7.	Allen screw(M4)
8.	Faucet body
9.	Handle
10.	Allen screw(M6)
11.	Handle body
12.	Cartridge holder
13.	Cartridge
14.	Rubber gasket
15.	Stainless steel gasket
16.	Lock screw
17.	Lock nut
18.	Hose
19.	Spanner for body

Product Dimension Drawing

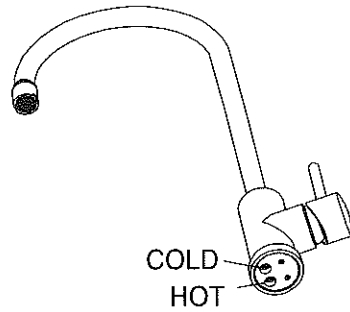


Faucet Installation Procedures

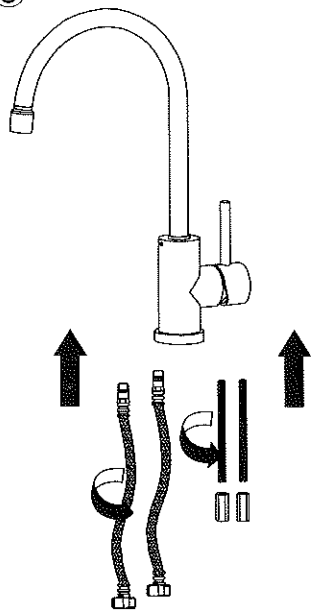
Step ①



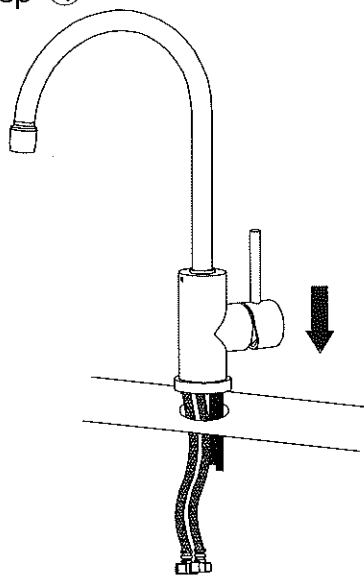
Step ②



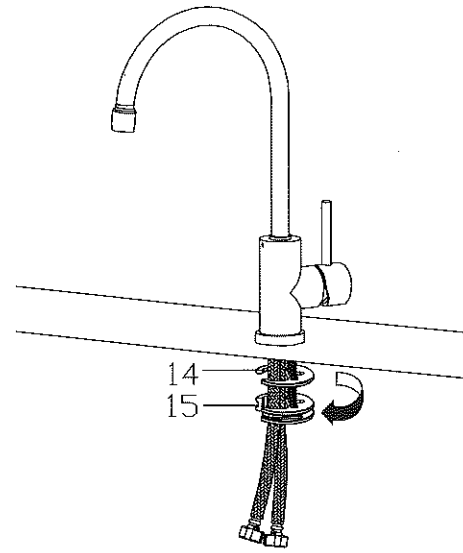
Step ③



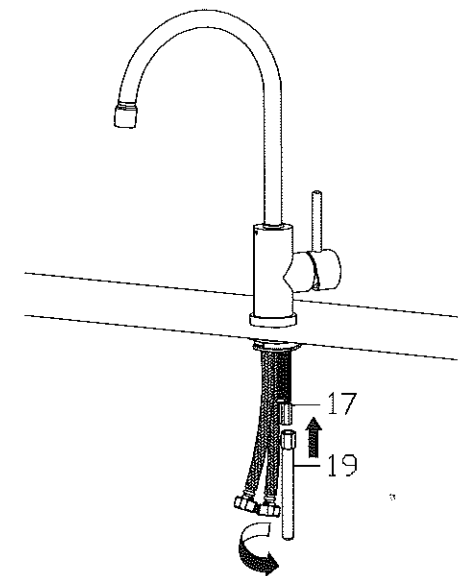
Step ④



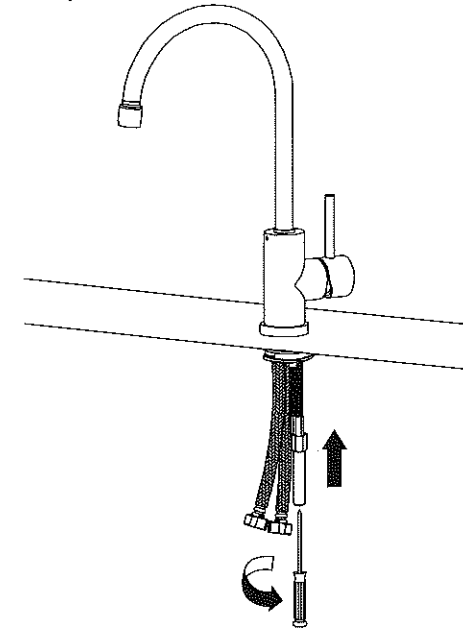
Step ⑤



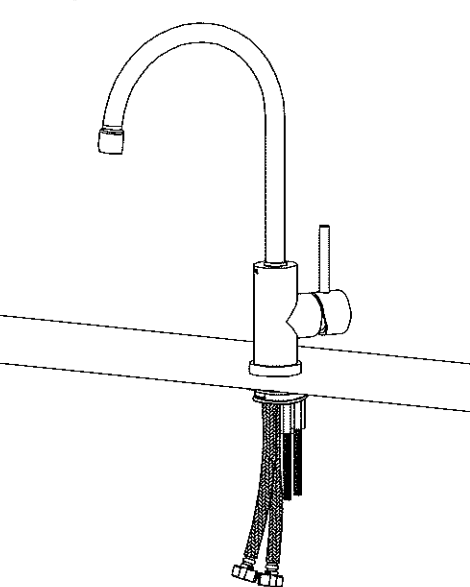
Step ⑥



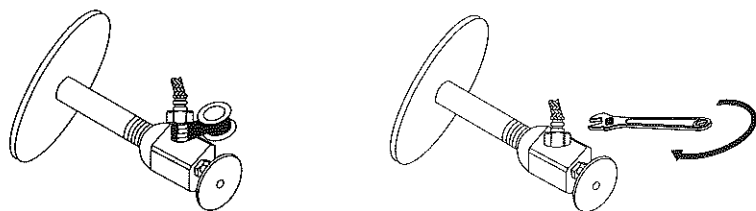
Step ⑦



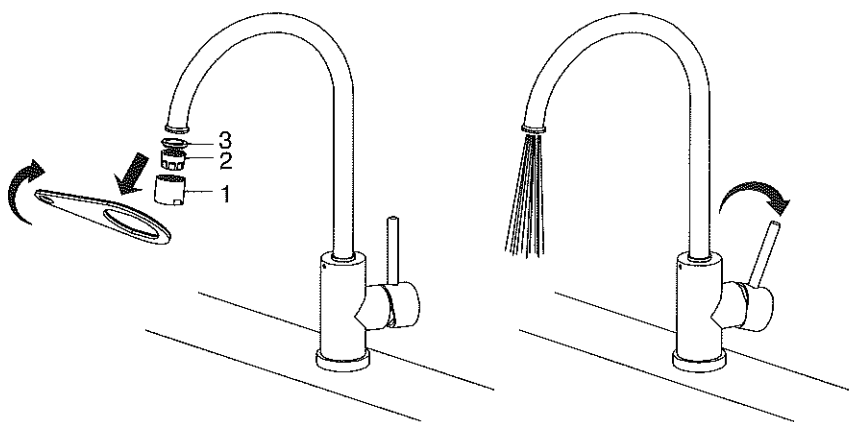
Step ⑧



Step ⑨



Step ⑩



Notice:

Please removing all of the sand, silt and other things from the water hose before assembling, to avoid blocking the faucet and effecting water rate. Please use the special tools to disassemble it and wash with pneumatic equipment, if the faucet blocked.

The logo features the word "Kraus" in a white, serif font with a registered trademark symbol (®) to the upper right. The letter "K" is stylized with three horizontal lines passing through its vertical stem. The letters "a", "u", and "s" also have horizontal lines passing through them, creating a sense of motion or water flow.

INSTALLATION MANUAL

Single Handle Kitchen Faucet

KPF-2160

Thank you for your purchase

We would like to take this opportunity to thank you for choosing Kraus. We hope that you are completely satisfied with your purchase, and enjoy it for years to come. If you have any questions, or require technical assistance, please contact us at 800.775.0703 and one of our representatives will be happy to help.

For more information about Kraus products, please visit:

www.kraususa.com

In order to activate your warranty and get faster access to customer support, please register your new Kraus product at:

www.kraususa.com/registration

Sincerely,

Kraus USA Customer Service

Prior to Installation:

- Make sure you have all necessary parts by checking the diagram and parts list. If any part is missing or damaged, please contact Kraus Customer Service at 800-775-0703 for a replacement
- Turn off the hot and cold water supply at the angle stops and turn on the old faucet to release any built up pressure. Remove existing faucet. Clean sink or countertop to remove any debris, plumber's putty, or silicone
- Place bucket under angle stops. Turn on to flush any debris prior to installing new plumbing. Shut off angle stops
- Pre-drilled hole size requirement: 1-3/8" (min) – 1-1/2" (max)
- Max countertop thickness without deck plate: 1-3/8"

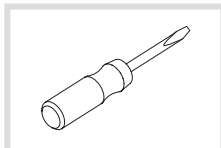
For technical assistance or replacement parts, please contact Kraus Customer Service and one of our representatives will be happy to help:

Toll-Free: 800-775-0703 or Customerservice@kraususa.com

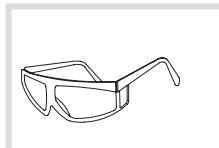
Tools Required



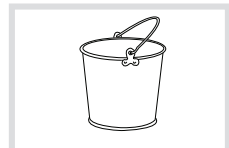
*Adjustable Wrench



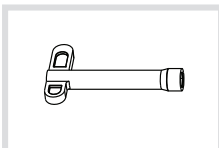
*Flathead Screwdriver



*Safety Goggles

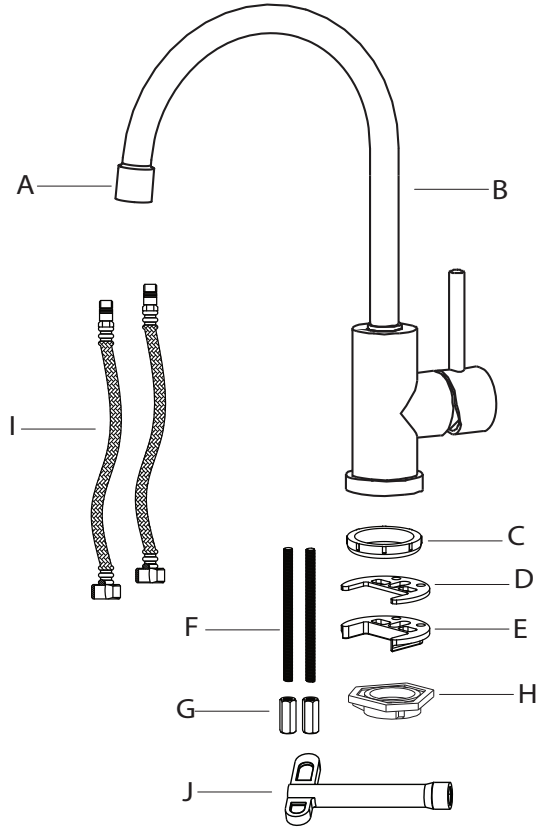


*Bucket



*Spanner
(Included)

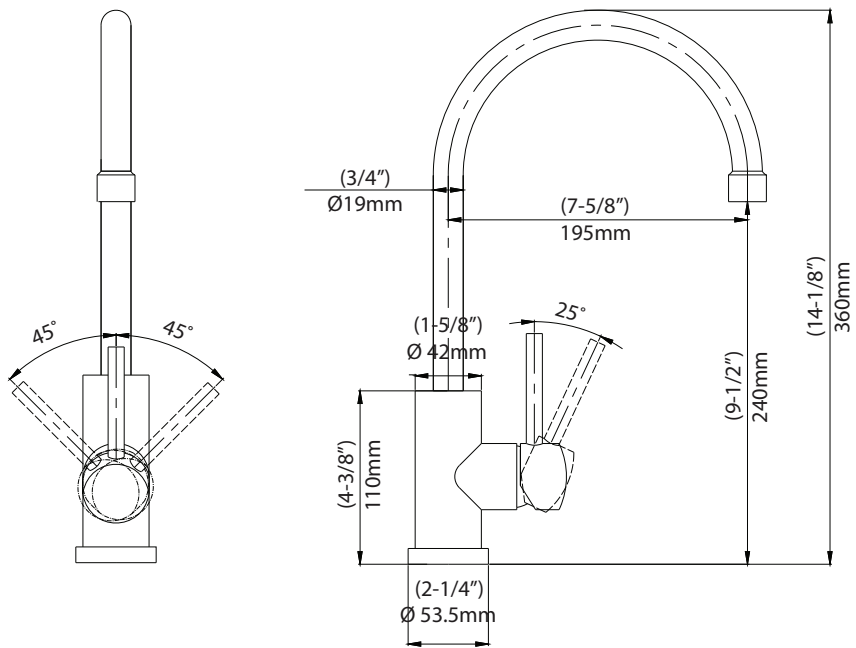
Diagram and Parts List



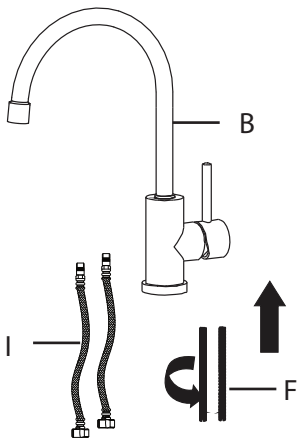
- A. Aerator Assembly
 - A1 Aerator Cover
 - A2 Aerator
 - A3 Washer
- B. Faucet Body
- C. Base O-Ring
- D. Rubber U-Washer

- E. Metal U-Washer
- F. Mounting Screws
- G. Mounting Nuts
- H. Spacer (Optional) For Topmount Stainless Steel Sinks
- I. Hot & Cold Waterlines
- J. Spanner

Faucet Dimensions

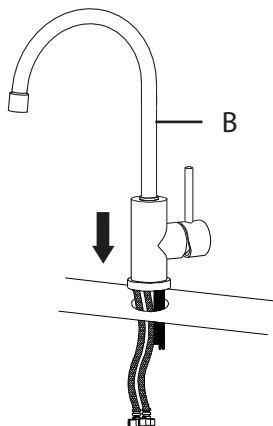


Step 1: Remove mounting hardware



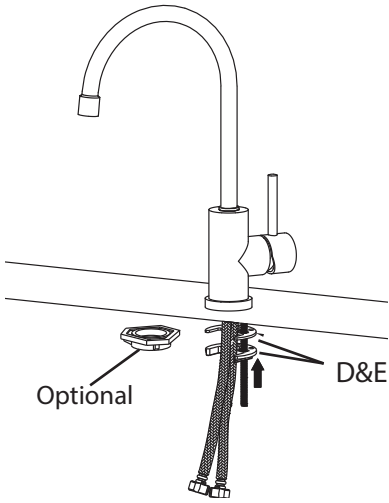
Attach mounting screws (F) at base of faucet (B). Secure with flathead screwdriver. Attach waterlines (I). Hand tighten only

Step 2: Install faucet and mounting hardware



Insert faucet body (B) on deck or sink with base o-ring (C) attached

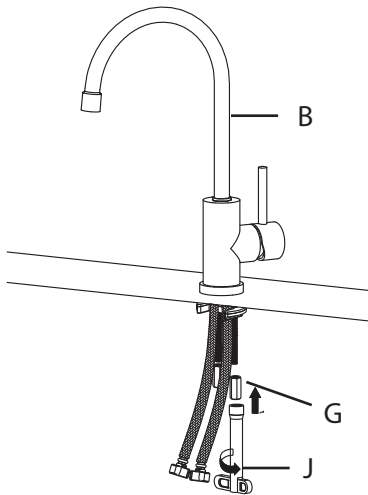
Step 3: Secure mounting hardware



Attach rubber & metal u-washers (D&E) on mounting screws

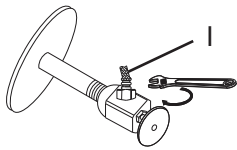
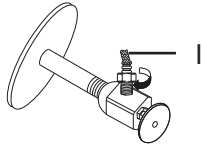
Installer Tip: Spacer (J) is used when installing on topmount stainless steel sinks

Step 4: Connect waterlines



Adjust faucet body (B).
Tighten mounting nuts (G) with spanner (J)

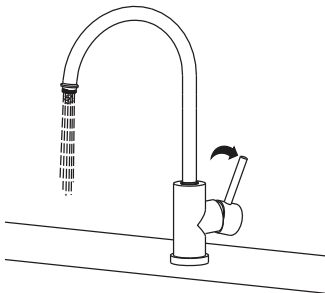
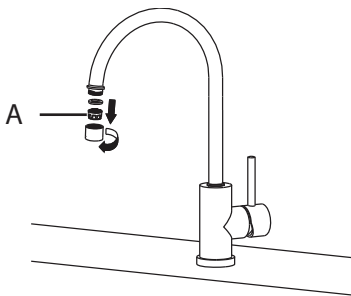
Step 5: Flush spray hose



Connect and tighten waterlines (I) to angle stops. Turn on the angle stops and check for leaks

(DO NOT TURN FAUCET ON)

Step 6: Check for leaks



Remove aerator assembly (A) and turn faucet on for 60 seconds to flush any debris

Care & Maintenance

*To keep the product clean & shining, follow the steps below:

1. Rinse with clean water & dry with a soft cloth
2. Do not clean with soaps, acid, polish, abrasives, or harsh cleaners
3. Do not use cloth with a coarse surface
4. Unscrew the aerator and clean when necessary

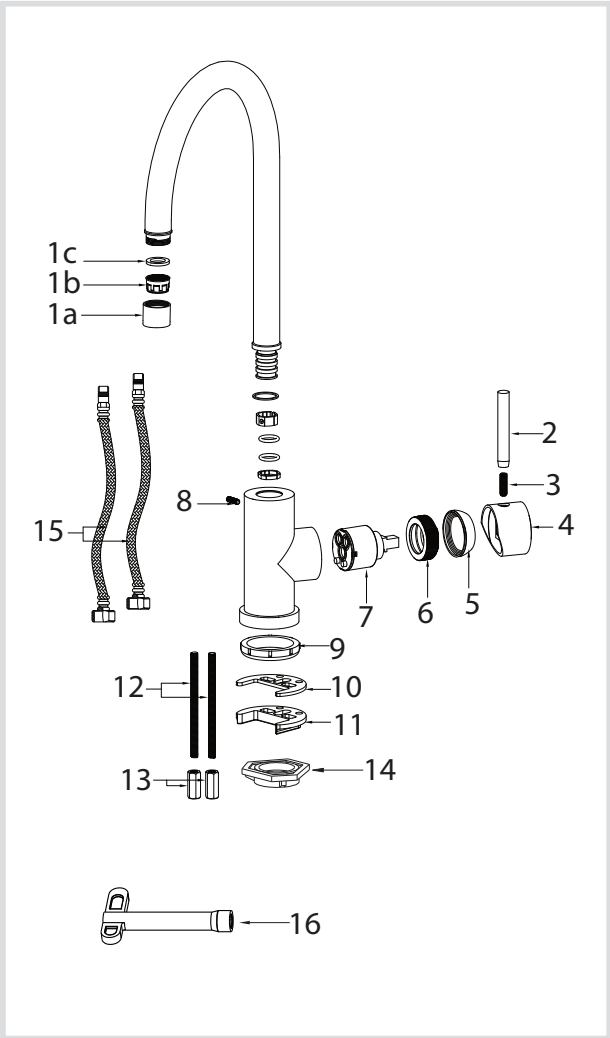
*This installation manual is subject to change without further notice.



Download the Kraus Care & Maintenance Guide at:

<http://www.kraususa.com/maintenance>

Replacement Parts



- 1. Aerator Assembly
- 2. Lever
- 3. Set Screw
- 4. Handle
- 5. Cartridge Cover
- 6. Locking Nut
- 7. Cartridge
- 8. Set Screw
- 9. Base O-Ring
- 10. Rubber U-Washer
- 11. Metal U-Washer
- 12. Mounting Screws
- 13. Mounting Nuts
- 14. Spacer
- 15. Hot & Cold Waterlines
- 16. Spanner

Trouble - Shooting

If you have followed the instructions carefully and your faucet still does not work properly, take the following corrective steps:

PROBLEM	CAUSE	ACTION
Leakage under handle (4)	Locking nut (6) has come loose	Unscrew the lever (2) on the handle by hand. Loosen set screw (3) with a hex wrench. Remove the handle (4) and unscrew cartridge cover (5) by hand. Tighten locking nut (6) with an adjustable wrench
Water will not shut off completely	Cartridge (7) may be defective	Unscrew the lever (2) on the handle by hand. Loosen set screw (3) with a hex wrench. Remove the handle (4) and unscrew cartridge cover (5) by hand. Unscrew locking nut (6) with an adjustable wrench. Remove ceramic disc cartridge. Check for cracks
Aerator (1) drips or has inconsistent water flow pattern	Aerator (1) is dirty or not seated properly	Unscrew aerator (1) by hand and clean out debris

Codes/Standards Applicable:

Codes/Standards: Pending confirmation of keeping in the manual or removing.



NSF/ANSI Standard 61 certified by IAPMO
NSF/ANSI Standard 372 certified by IAPMO



Meets ASME A112.18.1M/A112.18.1
1.8gpm 6.8L/min maximum

HELP LINE

Our customer service hours are Monday – Friday, 9am – 8pm EST.
Be sure to visit our website at www.kraususa.com

If you are a homeowner please contact a Kraus Customer Service Representative at:

Kraus USA, Inc.
12 Harbor Park Drive
Port Washington, NY 11050
Toll-free 800-775-0703
Customerservice@kraususa.com

If you are a plumbing contractor or trade professional please contact a Kraus Pro Representative at:

Kraus USA, Inc.
12 Harbor Park Drive
Port Washington, NY 11050
516-801-8955
Proservice@kraususa.com

If you are an Authorized Partner please contact a Partner Support Representative at:

Kraus USA, Inc.
12 Harbor Park Drive
Port Washington, NY 11050
516-801-8954
Partnersupport@kraususa.com

In requesting warranty service, please be ready to provide:

1. Proof of purchase.
2. A description of the problem.

Kräus[®]

www.kraususa.com

REGISTER YOUR PRODUCT TODAY

Receive Proof of Ownership
Access Customer Care & Installation Help
Get Exclusive Kraus Offers & Promotions



Scan to Register Online
or visit <http://www.kraususa.com/registration>

We're always looking for ways to improve.

Please take a moment to share your experience.
Visit <http://www.kraususa.com/review> to let us know what you think
about your new Kraus product.

Contact Us to Learn More
1.800.775.0703 / www.kraususa.com / customerservice@kraususa.com
Like & Follow KrausUSA

Download the Kraus Care & Maintenance Guide at:
<http://www.kraususa.com/maintenance>



Kräus[®]

www.kraususa.com

Kräus®

INSTALLATION MANUAL

Soap Dispensers

KSD-30

KSD-33

KSD-35

KSD-41

KSD-42

SD-20

SD-25

Thank you for your purchase

We would like to take this opportunity to thank you for choosing Kraus. We hope that you are completely satisfied with your purchase, and enjoy it for years to come. If you have any questions, or require technical assistance, please contact us at 800.775.0703 and one of our representatives will be happy to help.

For more information about Kraus products, please visit:

www.kraususa.com

In order to activate your warranty and get faster access to customer support, please register your new Kraus product at:

www.kraususa.com/registration

Sincerely,

Kraus USA Customer Service

PRIOR TO INSTALLATION

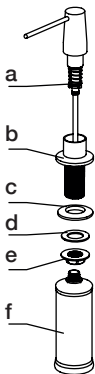
- Make sure you have all necessary parts by checking the diagram and parts list. If any part is missing or damaged, please contact Kraus Customer Service at 800-775-0703 for a replacement
- Pre-drilled hole size requirement: 1-1/4"
- Max countertop thickness without deck plate: 1-3/8"

For technical assistance or replacement parts, please contact Kraus Customer Service and one of our representatives will be happy to help:

Toll-Free: 800.775.0703 or Customerservice@kraususa.com

The step-by-step guidelines in the installation instructions are a general reference for installing a Kraus Sink. Should there be any discrepancies, Kraus cannot be held liable. It is recommended to install all Kraus products by hiring a licensed professional.

GDA-1 Diagram and Parts List:



- a. Pump*
- b. Dispenser Base*
- c. Rubber Washer A*
- d. Rubber Washer B*
- e. Mounting Nut*
- f. Dispenser Bottle*

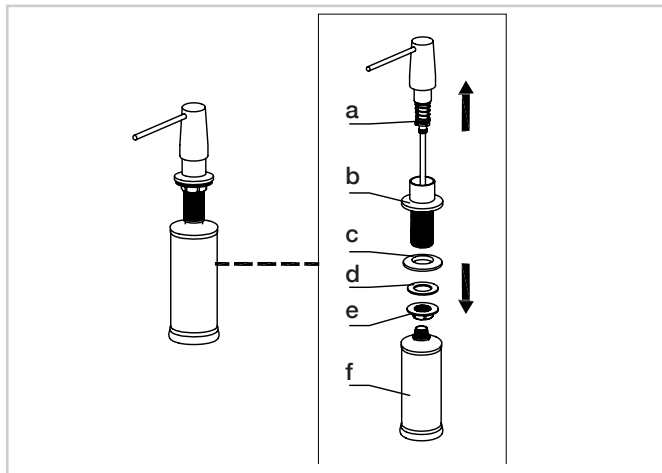
TOOLS REQUIRED:



*Adjustable Wrench

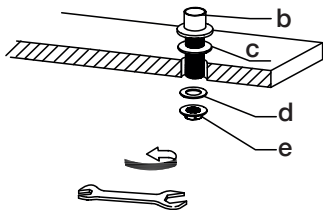
Step 1

Disassemble soap dispenser



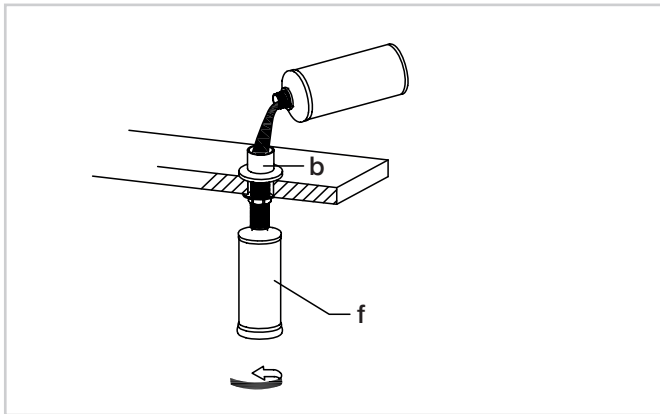
Step 2

Install dispenser base (b) with rubber washer A (c) attached into the hole in the countertop. Re-install rubber washer B (d) and mounting nut (e) on the dispenser base (b) from underneath the countertop. Tighten mounting nut (e) with adjustable wrench until snug



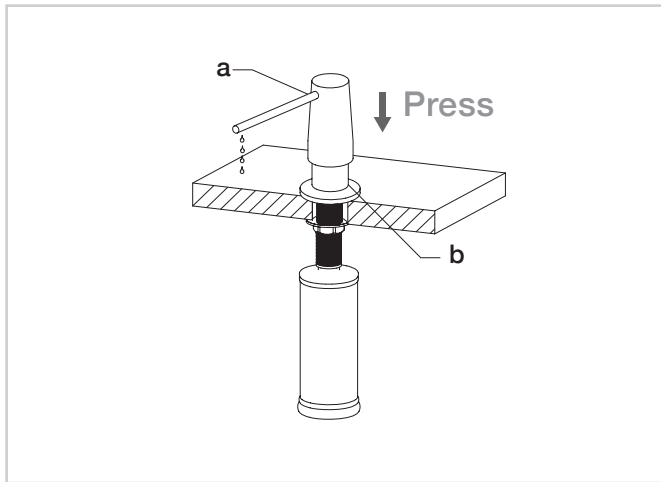
Step 3

Screw the dispenser bottle (f) to the dispenser base (b) from underneath the countertop. Tighten as required. Fill the dispenser bottle (f) from the top with 12 ounces of soap



Step 4

Insert pump (a) into dispenser base (b) from the top. Press the pump several times to make sure soap is evenly distributed



HELP LINE

Our customer service hours are Monday – Friday, 9am – 8pm EST.

Be sure to visit our website at www.kraususa.com

If you are a HOMEOWNER please contact a Kraus Customer Service Representative at:

Kraus USA, Inc.
12 Harbor Park Drive
Port Washington, NY 11050
Toll-free 800-775-0703
Customerservice@kraususa.com

If you are a PLUMBING CONTRACTOR OR TRADE PROFESSIONAL please contact a Kraus Pro Representative at:

Kraus USA, Inc.
12 Harbor Park Drive
Port Washington, NY 11050
516-801-8955
Proservice@kraususa.com

If you are an AUTHORIZED PARTNER please contact a Partner Support Representative at:

Kraus USA, Inc.
12 Harbor Park Drive
Port Washington, NY 11050
516-801-8954
Partnersupport@kraususa.com

In requesting warranty service, please be ready to provide:

1. Proof of purchase.
2. A description of the problem.

Kräus®

www.kraususa.com

REGISTER YOUR PRODUCT TODAY

Receive Proof of Ownership

Access Customer Care & Installation Help

Get Exclusive Kraus Offers & Promotions



Scan to Register Online or visit
<http://www.kraususa.com/registration>

We're always looking for ways to improve.

Please take a moment to share your experience.

Visit <http://www.kraususa.com/review> to let us know what you think about your new Kraus product.

Contact Us to Learn More

1.800.775.0703 / www.kraususa.com / customerservice@kraususa.com

Like & Follow KrausUSA

Download the Kraus Care & Maintenance Guide at:

<http://www.kraususa.com/maintenance>



Kräus[®]

www.kraususa.com