

The logo features the word "Kraus" in a white, serif font with a registered trademark symbol (®) to the upper right. The letter "K" is stylized with horizontal lines passing through it. The letters "a" and "u" have three horizontal lines above them, resembling water droplets or a faucet's spout. The logo is set against a solid black rectangular background.

INSTALLATION MANUAL

## Single Handle Kitchen Faucet

KPF-2160

## Thank you for your purchase

We would like to take this opportunity to thank you for choosing Kraus. We hope that you are completely satisfied with your purchase, and enjoy it for years to come. If you have any questions, or require technical assistance, please contact us at 800.775.0703 and one of our representatives will be happy to help.

For more information about Kraus products, please visit:

**[www.kraususa.com](http://www.kraususa.com)**

In order to activate your warranty and get faster access to customer support, please register your new Kraus product at:

**[www.kraususa.com/registration](http://www.kraususa.com/registration)**

*Sincerely,*

*Kraus USA Customer Service*

## Prior to Installation:

- Make sure you have all necessary parts by checking the diagram and parts list. If any part is missing or damaged, please contact Kraus Customer Service at 800-775-0703 for a replacement
- Turn off the hot and cold water supply at the angle stops and turn on the old faucet to release any built up pressure. Remove existing faucet. Clean sink or countertop to remove any debris, plumber's putty, or silicone
- Place bucket under angle stops. Turn on to flush any debris prior to installing new plumbing. Shut off angle stops
- Pre-drilled hole size requirement: 1-3/8" (min) – 1-1/2" (max)
- Max countertop thickness without deck plate: 1-3/8"

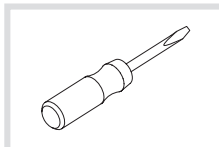
**For technical assistance or replacement parts, please contact Kraus Customer Service and one of our representatives will be happy to help:**

Toll-Free: 800-775-0703 or [Customerservice@kraususa.com](mailto:Customerservice@kraususa.com)

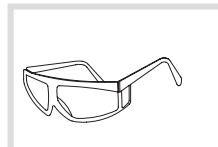
## Tools Required



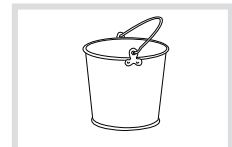
\*Adjustable Wrench



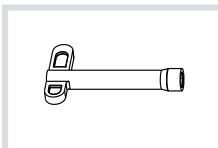
\*Flathead Screwdriver



\*Safety Goggles

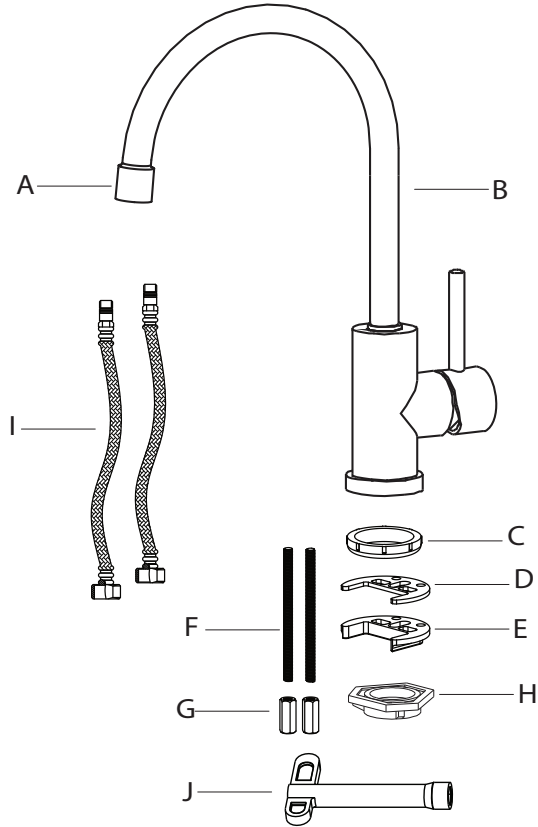


\*Bucket



\*Spanner  
(Included)

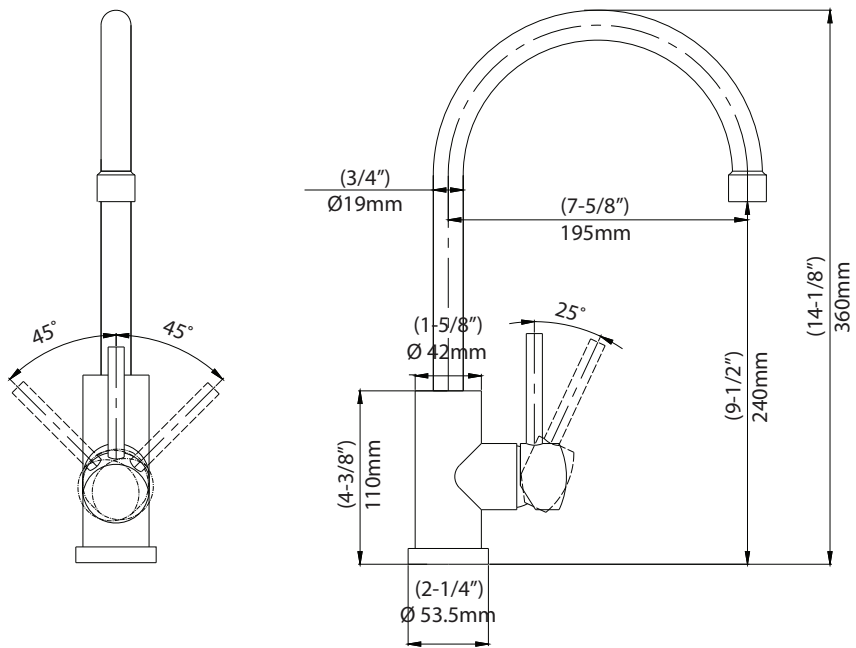
## Diagram and Parts List



- A. Aerator Assembly
  - A1 Aerator Cover
  - A2 Aerator
  - A3 Washer
- B. Faucet Body
- C. Base O-Ring
- D. Rubber U-Washer

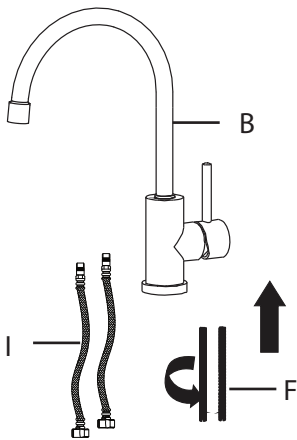
- E. Metal U-Washer
- F. Mounting Screws
- G. Mounting Nuts
- H. Spacer (Optional) For Topmount Stainless Steel Sinks
- I. Hot & Cold Waterlines
- J. Spanner

## Faucet Dimensions



## Step 1: Remove mounting hardware

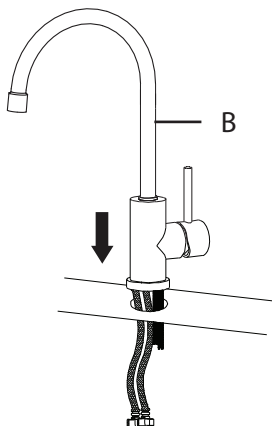
---



Attach mounting screws (F) at base of faucet (B). Secure with flathead screwdriver. Attach waterlines (I). Hand tighten only

## Step 2: Install faucet and mounting hardware

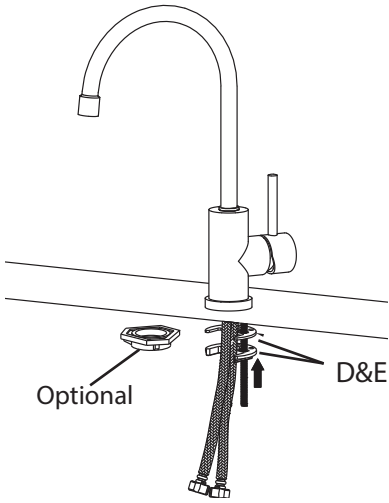
---



Insert faucet body (B) on deck or sink with base o-ring (C) attached

### Step 3: Secure mounting hardware

---

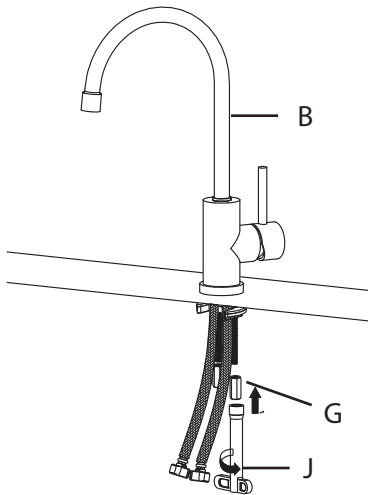


Attach rubber & metal u-washers (D&E) on mounting screws

**Installer Tip:** Spacer (J) is used when installing on topmount stainless steel sinks

### Step 4: Connect waterlines

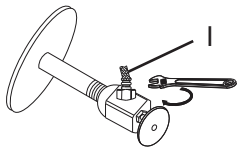
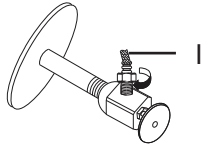
---



Adjust faucet body (B).  
Tighten mounting nuts (G) with spanner (J)

## Step 5: Flush spray hose

---

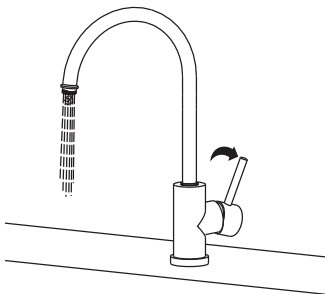
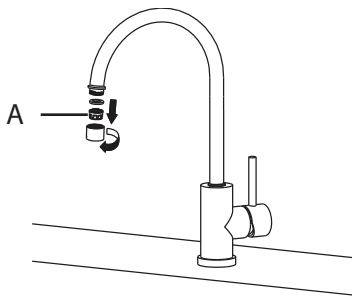


Connect and tighten waterlines (I) to angle stops. Turn on the angle stops and check for leaks

**(DO NOT TURN FAUCET ON)**

## Step 6: Check for leaks

---



Remove aerator assembly (A) and turn faucet on for 60 seconds to flush any debris



# Care & Maintenance

\*To keep the product clean & shining, follow the steps below:

1. Rinse with clean water & dry with a soft cloth
2. Do not clean with soaps, acid, polish, abrasives, or harsh cleaners
3. Do not use cloth with a coarse surface
4. Unscrew the aerator and clean when necessary

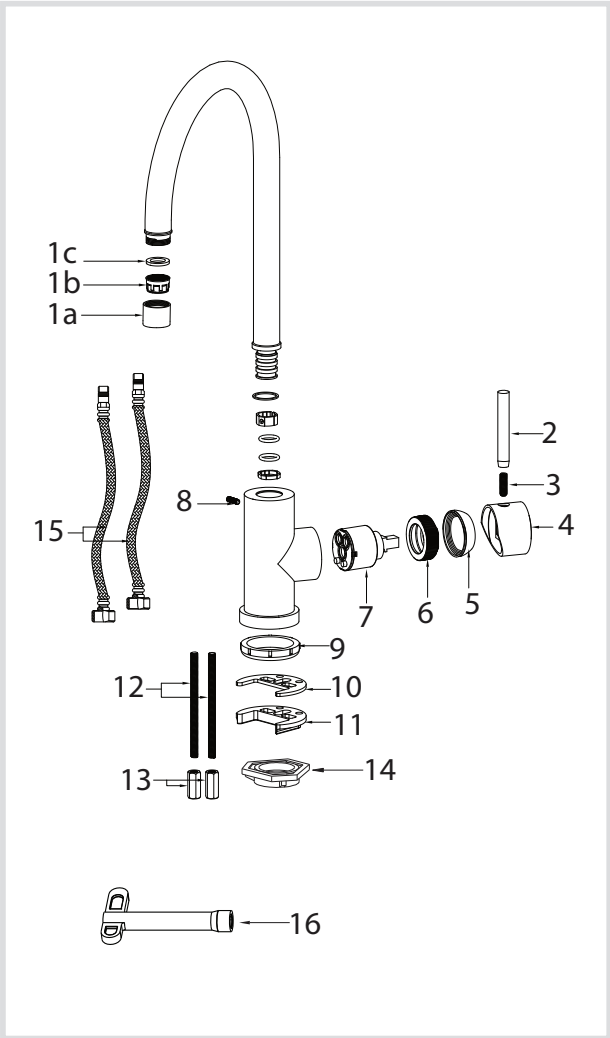
\*This installation manual is subject to change without further notice.



**Download the Kraus Care & Maintenance Guide at:**

<http://www.kraususa.com/maintenance>

# Replacement Parts



1. Aerator Assembly
2. Lever
3. Set Screw
4. Handle
5. Cartridge Cover
6. Locking Nut
7. Cartridge
8. Set Screw
9. Base O-Ring
10. Rubber U-Washer
11. Metal U-Washer
12. Mounting Screws
13. Mounting Nuts
14. Spacer
15. Hot & Cold Waterlines
16. Spanner

## Trouble - Shooting

If you have followed the instructions carefully and your faucet still does not work properly, take the following corrective steps:

PROBLEM	CAUSE	ACTION
Leakage under handle (4)	Locking nut (6) has come loose	Unscrew the lever (2) on the handle by hand. Loosen set screw (3) with a hex wrench. Remove the handle (4) and unscrew cartridge cover (5) by hand. Tighten locking nut (6) with an adjustable wrench
Water will not shut off completely	Cartridge (7 ) may be defective	Unscrew the lever (2) on the handle by hand. Loosen set screw (3) with a hex wrench. Remove the handle (4) and unscrew cartridge cover (5) by hand. Unscrew locking nut (6) with an adjustable wrench. Remove ceramic disc cartridge. Check for cracks
Aerator (1) drips or has inconsistent water flow pattern	Aerator (1) is dirty or not seated properly	Unscrew aerator (1) by hand and clean out debris

## Codes/Standards Applicable:

Codes/Standards: Pending confirmation of keeping in the manual or removing.



NSF/ANSI Standard 61 certified by IAPMO  
NSF/ANSI Standard 372 certified by IAPMO



Meets ASME A112.18.1M/A112.18.1  
1.8gpm 6.8L/min maximum

## HELP LINE

---

Our customer service hours are Monday – Friday, 9am – 8pm EST.  
Be sure to visit our website at [www.kraususa.com](http://www.kraususa.com)

### If you are a homeowner please contact a Kraus Customer Service Representative at:

Kraus USA, Inc.  
12 Harbor Park Drive  
Port Washington, NY 11050  
Toll-free 800-775-0703  
[Customerservice@kraususa.com](mailto:Customerservice@kraususa.com)

### If you are a plumbing contractor or trade professional please contact a Kraus Pro Representative at:

Kraus USA, Inc.  
12 Harbor Park Drive  
Port Washington, NY 11050  
516-801-8955  
[Proservice@kraususa.com](mailto:Proservice@kraususa.com)

### If you are an Authorized Partner please contact a Partner Support Representative at:

Kraus USA, Inc.  
12 Harbor Park Drive  
Port Washington, NY 11050  
516-801-8954  
[Partnersupport@kraususa.com](mailto:Partnersupport@kraususa.com)

### In requesting warranty service, please be ready to provide:

1. Proof of purchase.
2. A description of the problem.

**Kräus<sup>®</sup>**

[www.kraususa.com](http://www.kraususa.com)





**REGISTER YOUR PRODUCT TODAY**

**Receive** Proof of Ownership  
**Access** Customer Care & Installation Help  
**Get** Exclusive Kraus Offers & Promotions



Scan to Register Online  
or visit <http://www.kraususa.com/registration>

**We're always looking for ways to improve.**

Please take a moment to share your experience.  
Visit <http://www.kraususa.com/review> to let us know what you think  
about your new Kraus product.

Contact Us to Learn More  
1.800.775.0703 / [www.kraususa.com](http://www.kraususa.com) / [customerservice@kraususa.com](mailto:customerservice@kraususa.com)  
Like & Follow KrausUSA

Download the Kraus Care & Maintenance Guide at:  
<http://www.kraususa.com/maintenance>



**Kräus<sup>®</sup>**

[www.kraususa.com](http://www.kraususa.com)