

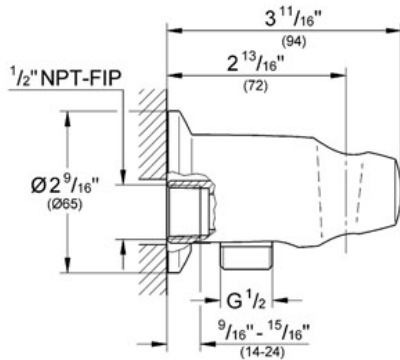
# MOVARIO Shower outlet elbow, 1/2"

MODEL # 28484

Pure Freude an Wasser



GROHE America, Inc | 200 North Gary Avenue, Suite G, Roselle, IL 60172  
Phone: +1 (800) 444-7643 | Fax: +1 (800) 225-2778 | us-customerservice@grohe.com



**Product Description:**  
Shower outlet elbow, 1/2"

**Standard Specification:**

- GROHE StarLight® finish
- 1/2" NPT Female Threads
- With shower holder

**Applicable Codes & Standards:**

- Energy Policy Act of 1992
- ASME A112.18.1/CSA B125.1

**Color:**

- 28484 000 chrome
- 28484 BE0 Sterling inf
- 28484 EN0 Brushed Nickel
- 28484 ZB0 Oil Rubbed Bronze
- 28484 R00 Polished Brass inf

